

5V, 15kV ESD-protected RS485 transceiver

1. Features

- ESD Protection for RS-485 I/O Pins
- 15kV—Human Body Model
- 15kV—IEC61000-4-2, Air-Gap Discharge
- 8kV—IEC61000-4-2, Contact Discharge
- 5V Supply Voltage Range
- Enhanced Slew-Rate Limiting Facilitates Error-Free Data Transmission
- 1uA Low-Current Shutdown Mode
- -7V to +12V Common-Mode Input Voltage Range
- Allows up to 256 Transceivers on the Bus
- Thermal Shutdown
- Current-Limiting for Driver Overload Protection
- Data transmission up to 2.5Mbps

2. Applications

- Telecommunications
- Low-Power RS-485 Transceivers
- Integrated Services Digital Networks
- Industrial-Control Local Area Networks
- Transceivers for EMI-Sensitive Applications
- Packet Switching
- Level Translators

3. Description

The MAX485ESA+T are 5V powered, $\pm 15\text{kV}$ ESD-protected, slew-rate-limited differential transceivers which provide full RS485 compatibility. Each part contains one driver and one receiver, which is designed for data transmission with extended common mode range (-7V to 12V). The MAX485ESA+T features slew-rate-limited driver which minimizes EMI and reduces reflections resulted from improperly terminated cables.

The MAX485ESA+T also feature enhanced electrostatic discharge (ESD) protection. All of the transmitter outputs and receiver inputs are protected to $\pm 15\text{kV}$ using IEC61000-4-2 Air-Gap Discharge, $\pm 15\text{kV}$ using the Human Body Model and $\pm 8\text{kV}$ using IEC61000-4-2 Contact Discharge.

Drivers are short circuit current limited. When the driver outputs are placed into a high-impedance state by thermal shutdown circuitry, drivers are protected against excessive power dissipation. And the fail-safe feature of the receiver input guarantees a logic-high output if both inputs are open, shorted or idle.

Both parts have power up/down mode, the glitch-free driver outputs permit live insertion or removal of the transceiver into/from the data bus. The CMOS design offers significant power savings without sacrificing ruggedness against overload or ESD damage. The typical quiescent current is only 300uA during operation and 1uA in shutdown mode. The MAX485ESA+T are intended for half-duplex communication and are available in SOP8 and DIP8 packages.

MAX485ESA+T

Rev-1.1

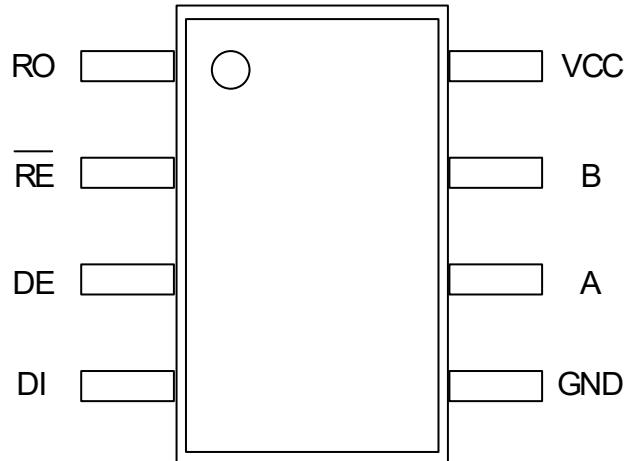
4. Device Information

Part Number	Operating Temperature	Mark Code	Package Type	Shipping Qty
MAX485ESA+T	-40°C to +85°C	MAX485ESA+T	SOP8	3000pcs/13 Inch Tape & Reel
MAX485EPA+T	-40°C to +85°C	MAX485EPA+T	DIP8	50pcs/Tube

5. Selection Guide

Part Number	Guaranteed Data Rate(Mbps)	Low-Power Shutdown	Slew-Rate Limited	Driver/Receiver Enable	Shutdown Current(uA)	Transceivers On Bus	± 15KV ESD Protection
MAX485ESA+T	2.5	Yes	Yes	Yes	1	256	Yes

6. Pin Configuration



7. Absolute Maximum Ratings

Symbol	Parameters	Value	Unit
VCC	Supply Voltage	+7	V
	Control Input Voltage (/RE, DE)	-0.3V to (VCC + 0.3V)	V
	Driver Input Voltage (DI)	-0.3V to (VCC + 0.3V)	V
	Driver Output Voltage (A, B)	-7 to +12	V

	Receiver Input Voltage (A, B)	-7 to +12	V
	Receiver Output Voltage (RO)	-0.3V to (VCC + 0.3V)	V
PD	Continuous Power Dissipation at TA = 70°C	DIP8	727
		SOP8	471
TA	Ambient Temperature	-40 to +85	°C
TSTG	Storage Temperature Range	-65 to 160	°C
TL	Lead Temperature for Soldering 10 seconds	+300	°C

8. Electrical Characteristics

(VCC = 5V, TA = TMIN to TMAX, unless otherwise noted. Typical values are at TA = +25°C.)

Parameter	Symbols	Test Condition	Min	Typ	Max	Unit	
SUPPLY CURRENT							
Supply Current	I _{CC}	No load, DI = GND or VCC	DE=VCC, /RE=0V or VCC	0.15		1	mA
			DE=0V, /RE=0V	0.15		1	
Supply Current in Shutdown Mode	I _{SHDN}	DE=0V, /RE=VCC, DI=VCC or 0			1	uA	
LOGIC							
Input High Voltage	V _{IH}	DE, DI, /RE	2.0			V	
Input Low Voltage	V _{IL}	DE, DI, /RE			0.8	V	
Logic Input Current	I _{IN1}	DE, DI, /RE			1	uA	
DRIVER							
Differential Driver Output	V _{OD}	No Load	VCC=5V			5	V
		RL=54	VCC=5V	1.2			
		RL=60	VCC=5V	1.3			
Change in Magnitude of Driver Differential Output Voltage for Complementary Output States (Note 1)	ΔV _{OD}	RL=54Ω or 100Ω			0.2	V	
Driver Common-Mode Output Voltage	V _{OC}	RL=54Ω or 100 Ω			3	V	
Change in Magnitude of	ΔV _{OC}	RL=54Ω or 100 Ω			0.2	V	

Common-Mode Output Voltage (Note 1)							
Driver Short-Circuit Output Current	I _{OSD}	V _{OUT} = -7V			-250	mA	
		V _{OUT} = 12V			+250		
RECEIVER							
Receiver Differential Threshold Voltage	V _{TH}	-7V ≤ V _{CM} ≤ 12V	-0.2	-0.05	0.2	V	
Receiver Input Hysteresis	Δ V _{TH}	V _{CM} =0V		25		mV	
Receiver Input Resistance	R _{IN}	-7V ≤ V _{CM} ≤ 12V	96			kΩ	
Input Current (A, B)	I _{IN2}	DE=0V, VCC=0V or 5V	V _{IN} = 12V			1	mA
			V _{IN} = -7V			-0.8	
Receiver Output High Voltage	V _{OH}	I _{OUT} =-1.5mA, V _{ID} =200mV	V _{CC} -1.5			V	
Receiver Output Low Voltage	V _{OL}	I _{OUT} =2.5mA, V _{ID} =200mV			0.4	V	
Three-State (High Impedance) Output Current at Receiver	I _{OZR}	0V ≤ V _{OUT} ≤ V _{CC}			1	μA	
Receiver Short-Circuit Output Current	I _{OSR}	0V ≤ V _{RO} ≤ V _{CC}	±20		±60	mA	
ESD PROTECTION							
ESD Protection for A, B		Human Body Model			±15	kV	
		IEC61000-4-2 Air Discharge			±15		
		IEC61000-4-2 Contact Discharge			±8		

Driver Switching Characteristics

Parameter	Symbol	Test Conditions	Min	Typ	Max	Unit
Maximum Data Rate	f _{MAX}			2500		kbps
Driver Differential Output Delay	t _{DD}	R _L =60Ω	20	50	100	ns
Driver Differential Output Transition Time	t _{TD}	R _L =60Ω	20	50	100	ns

Driver Propagation Delay, Low-to-High Level	t _{PLH}	R _L =27Ω	25	55	100	ns
Driver Propagation Delay, High-to-Low Level	t _{PHL}	R _L =27Ω	25	55	100	ns
t _{PLH} – t _{PHL} Driver Propagation Delay Skew (Note 2)	t _{PDS}	R _L =27Ω		2	10	ns
Driver-Output Enable/Disable Times						
Driver Output Enable Time to Low Level	t _{PZL}	R _L =110Ω		60	100	ns
Driver Output Enable Time to High Level	t _{PZH}	R _L =110Ω		60	100	ns
Driver Output Disable Time from High Level	t _{PHZ}	R _L =110Ω		60	100	ns
Driver Output Disable Time from Low Level	t _{PLZ}	R _L =110Ω		60	100	ns
Driver Output Enable Time from Shutdown to Low Level	t _{PSL}	R _L =110Ω		500	800	ns
Driver Output Enable Time from Shutdown to High Level	t _{PSH}	R _L =110Ω		500	800	ns

Receiver Switching Characteristics

(V_{CC} = 5V, T_A = +25°C.)

Parameter	Symbol	Test Conditions	Min	Typ	Max	Unit
Time to Shutdown	t _{SHDN}	Note 3	50	200	600	ns
Receiver Propagation Delay, Low-to-High Level	t _{RPLH}	V _{ID} =0 to 3.0V, C _L =15pF		100	200	ns
Receiver Propagation Delay, High-to-Low Level	t _{RPHL}	V _{ID} =0 to 3.0V, C _L =15pF		100	200	ns
t _{RPLH} – t _{RPHL} Receiver Propagation Delay Skew	t _{RPDS}	V _{ID} =0 to 3.0V, C _L =15pF			30	ns
Receiver Output Enable Time to Low Level	t _{PRZL}	C _L =15pF		20	100	ns
Receiver Output Enable Time to High Level	t _{PRZH}	C _L =15pF		20	100	ns

Receiver Output Disable Time from High Level	t _{PRHZ}	CL=15pF		30	200	ns
Receiver Output Disable Time from Low Level	t _{PRLZ}	CL=15pF		30	200	ns
Receiver Output Enable Time from Shutdown to Low Level	t _{PRSL}	CL=15pF		20	100	ns
Receiver Output Enable Time from Shutdown to High Level	t _{PRSH}	CL=15pF		20	100	ns

Note 1: ΔV_{OD} and ΔV_{OC} are the changes in V_{OD} and V_{OC} , respectively, when the DI input changes state.

Note 2: Measured on $|t_{PLH}(A) - t_{PHL}(A)|$ and $|t_{PLH}(B) - t_{PHL}(B)|$.

Note 3: The transceivers are put into shutdown by bringing /RE high and DE low. If the inputs are in this state for less than 80ns, the parts are guaranteed not to enter shutdown. If the inputs are in this state for at least 300ns, the parts are guaranteed to have entered shutdown. See Low-Power Shutdown Mode section.

9. Typical Operating Characteristics

(VCC = 5V, TA=+25°C, unless otherwise noted.)

Pin Description

Pin Number	Symbol	Function
1	RO	Receiver Output. If $A > B$ by -50mV, RO will be high; if $A < B$ by 200mV, RO will be low.
2	\overline{RE}	Receiver Output Enable. RO is enabled when \overline{RE} is low; RO is high impedance when RE is high. Drive \overline{RE} high and DE low to enter low-power shutdown mode.
3	DE	Driver Output Enable. The driver outputs are enabled by bringing DE high. They are high impedance when DE is low. If \overline{RE} is high and DE is low, the device will enter a low-power shutdown mode. If the driver outputs are enabled, the parts function as line drivers. While they are high impedance, they function as line receivers if \overline{RE} is low.
4	DI	Driver Input. A low on DI forces output A low and output B high. Similarly, a high on DI forces output A high and output B low.
5	GND	Ground
6	A	Non-inverting Receiver Input and Non-inverting Driver Output
7	B	Inverting Receiver Input and Inverting Driver Output.
8	VCC	Positive Supply: 5V

RS-485 Communication Function Table

Table1. Transmitting

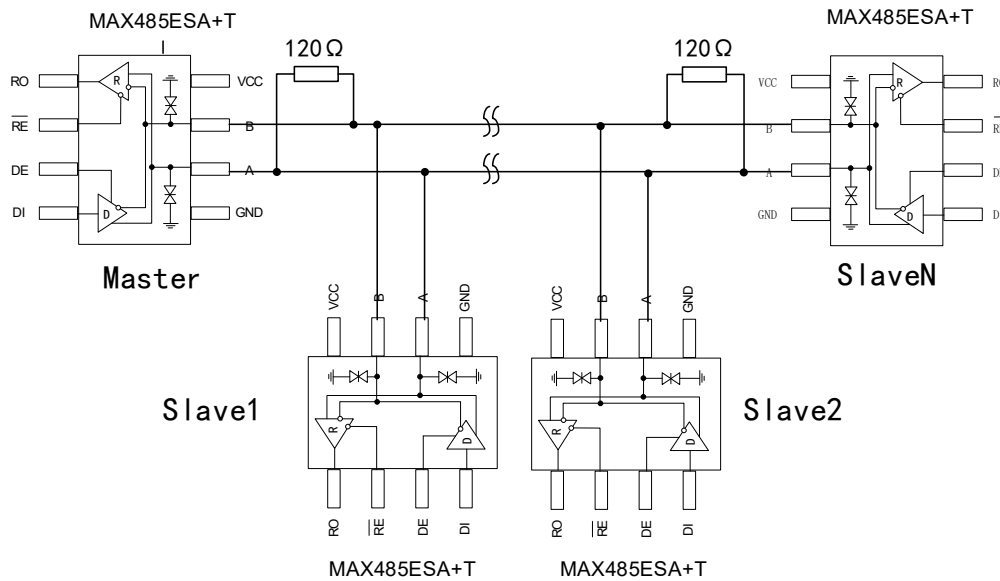
INPUTS			OUTPUTS		MODE
\overline{RE}	DE	DI	B	A	
X	1	1	0	1	Normal
X	1	0	1	0	Normal
0	0	X	High-Z	High-Z	Normal
1	0	X	High-Z	High-Z	Shutdown

Table2. Receiving

INPUTS			OUTPUTS	MODE
\overline{RE}	DE	A, B	RO	
0	X	>-50mV	1	Normal
0	X	<-200mV	0	Normal
0	X	Inputs Open	1	Normal
1	0	X	High-Z	Shutdown

X=Don't care; High-Z=High impedance

10. Typical Operating Circuit



11. Detail Description

The MAX485ESA+T are low-power transceivers for RS-485 communications. MAX485ESA+T realizes error-free data transmission up to 2.5Mbps. The MAX485ESA+T are half-duplex. Driver Enable (DE) and Receiver Enable (/RE) pins are included on the MAX485ESA+T. When disabled, the driver and receiver outputs are high impedance.

Fail-Safe

The MAX485ESA+T guarantees a logic-high receiver output when the receiver inputs are shorted or open, or when they are connected to a terminated transmission line with all drivers disabled. This is done by setting the receiver threshold between -50mV and -200mV. If the differential receiver input voltage (A-B) is greater than or equal to -50mV, RO is logic high. If A-B is less than or equal to -200mV, RO is logic low. In the case of a terminated bus with all transmitters disabled, the receiver's differential input voltage is pulled to 0V by the termination. With the receiver thresholds of the MAX485ESA+T, this results in a logic high with a 50mV minimum noise margin. Unlike previous fail-safe devices, the -50mV to -200mV threshold complies with the ±200mV EIA/TIA-485 standard.

±15kV ESD Protection

As with all ElecSuper devices, ESD-protection structures are incorporated on all pins to protect against electrostatic discharges encountered during handling and assembly. The driver outputs and receiver inputs of the MAX485ESA+T have extra protection against static electricity. ElecSuper's engineers have developed state-of-the-art structures to protect these pins against ESD of ±15kV without damage. The ESD-protected pins are tested with reference to the ground pin in a power-down condition. They are tested to ±15kV using the Human Body Model.

Applications Information

256 Transceivers on the Bus

The standard RS-485 receiver input impedance is $12k\Omega$ (one unit load), and the standard driver can drive up to 32 unit loads. The ElecSuper family of transceivers have a $1/8$ unit load receiver input impedance ($96k\Omega$), allowing up to 256 transceivers to be connected in parallel on one communication line. Any combination of these devices and/or other RS-485 transceivers with a total of 32 unit loads or less can be connected to the line.

Reduced EMI and Reflections

The MAX485ESA+T are slew-rate-limited, minimizing EMI and reducing reflections caused by improperly terminated cables. In general, a transmitter's rise time relates directly to the length of an unterminated stub, which can be driven with only minor waveform reflections. The following equation expresses this relationship conservatively:

$$\text{Length} = t_{RISE} / (10 \times 1.5 \text{ ns/ft})$$

Where t_{RISE} is the transmitter's rise time. A system can work well with longer unterminated stubs, even with severe reflections, if the waveform settles out before the UART samples them.

Low-Power Shutdown Mode

Low-power shutdown mode is initiated by bringing both $/RE$ high and DE low. In shutdown, the device typically draws only $1\mu A$ of supply current. $/RE$ and DE may be driven simultaneously; the parts are guaranteed not to enter shutdown if $/RE$ is high and DE is low for less than 50ns. If the inputs are in this state for at least 600ns, the parts are guaranteed to enter shutdown. Enable times t_{PZH} and t_{PZL} in the Switching Characteristics tables assume the part was not in a low-power shutdown state. Enable times t_{PSH} and t_{PSL} assume the parts were shut down. It takes drivers and receivers longer to become enabled from low-power shutdown mode (t_{PSH} , t_{PSL}) than from driver/receiver-disable mode (t_{PZH} , t_{PZL}).

Driver Output Protection

Two mechanisms prevent excessive output current and power dissipation caused by faults or bus contention. First, a foldback current limit on the output stage, provides immediate protection against short circuits over the whole common-mode voltage range. Second, a thermal shutdown circuit, forces the driver outputs into a high-impedance state if the die temperature becomes excessive.

Propagation Delay

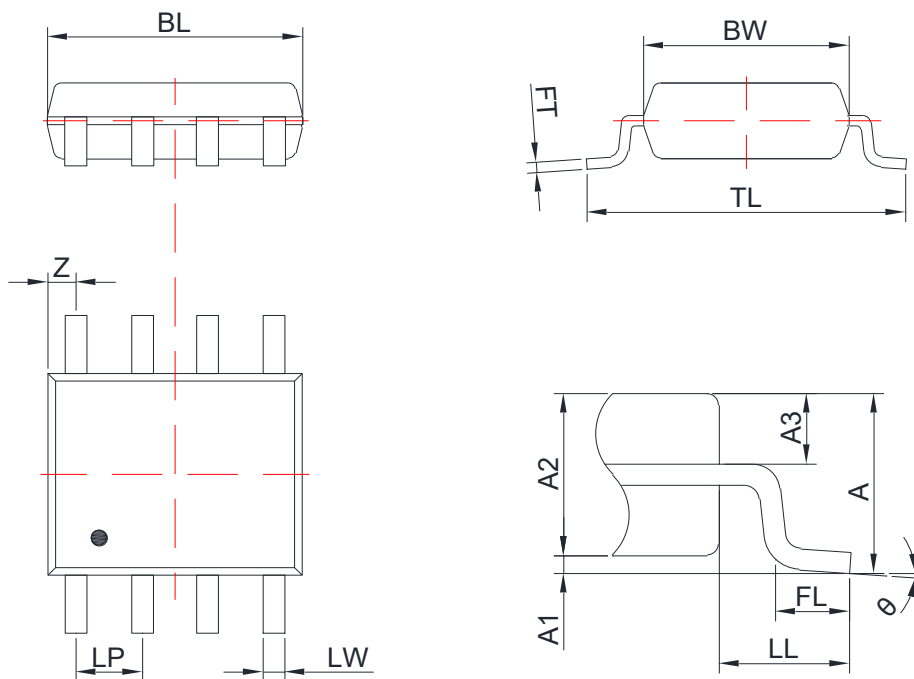
Skew time is simply the difference between the low-to-high and high-to-low propagation delay. Small driver/receiver skew times help maintain a symmetrical mark-space ratio (50% duty cycle). The driver skew times 12ns for the MAX485ESA+T.

Typical Applications

The MAX485ESA+T transceivers are designed for bidirectional data communications on multipoint bus transmission lines. To minimize reflections, the line should be terminated at both ends in its characteristic impedance, and stub lengths of the main line should be kept as short as possible. The partially slew-rate-limited MAX485ESA+T are more tolerant of imperfect termination.

12. Package Information

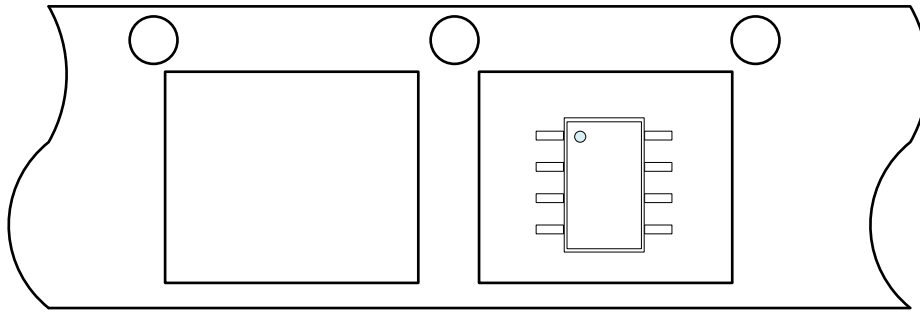
SOP8



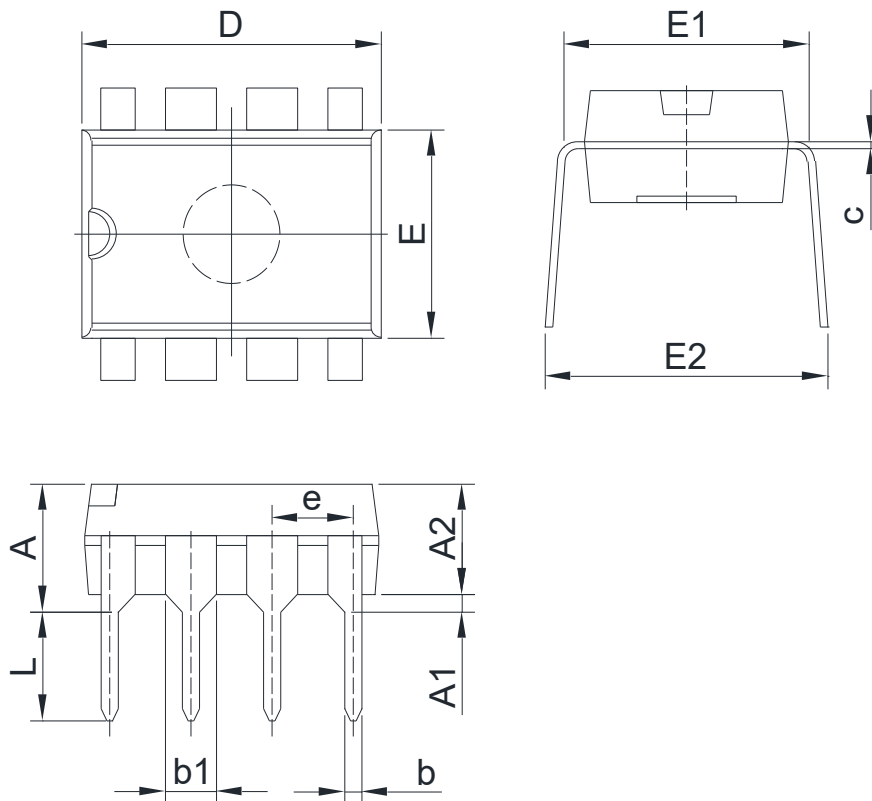
Units: millimeter

Symbol	Dimensions		Symbol	Dimensions	
	Min.	Max.		Min.	Max.
A	1.35	1.75	FL-L	0.40	1.27
A1	0.10	0.25	LP-e	1.27BSC	
A2	1.25	1.65	LL 无	0.90	1.10
A3 无	0.600	0.65	LW-b	0.30	0.51
BL-D	4.70	5.10	TL-E1	5.80	6.20
BW-E	3.80	4.00	Z 无	0.50	0.55
FT-C	0.15	0.25	θ	0°	8°

Tape and Reel Orientation



DIP8



Symbol	Millimeters		Symbol	Millimeters	
	Min	Max		Min	Max
A	3.71	4.80	D	9.00	9.50
A1	0.38	-	E	6.20	6.60
A2	3.20	3.60	E1	7.32	7.92
b	0.38	0.57	E2	8.40	9.05
b1	1.52 BSC		e	2.54 TYP	
c	0.20	0.36	L	3.00	3.60

DISCLAIMER

ELECSUPER PROVIDES TECHNICAL AND RELIABILITY DATA (INCLUDING DATASHEETS), DESIGN RESOURCES (INCLUDING REFERENCE DESIGNS), APPLICATION OR OTHER DESIGN ADVICE, SAFETY INFORMATION, AND OTHER RESOURCES "AS IS" AND WITH ALL FAULTS, AND DISCLAIMS ALL WARRANTIES, EXPRESS AND IMPLIED, INCLUDING WITHOUT LIMITATION ANY IMPLIED WARRANTIES OF MERCHANTABILITY, FITNESS FOR A PARTICULAR PURPOSE OR NON-INFRINGEMENT OF THIRD PARTY INTELLECTUAL PROPERTY RIGHTS.

These resources are intended for skilled developers designing with ElecSuper products. You are solely responsible for

- (1) selecting the appropriate ElecSuper products for your application;
- (2) designing, validating and testing your application;
- (3) ensuring your application meets applicable standards, and any other safety, security, or other requirements.

These resources are subject to change without notice. ElecSuper grants you permission to use these resources only for development of an application that uses the ElecSuper products described in the resource. Other reproduction and display of these resources are prohibited. No license is granted to any other ElecSuper intellectual property right or to any third party intellectual property right. ElecSuper disclaims responsibility for, and you will fully indemnify ElecSuper and its representatives against, any claims, damages, costs, losses, and liabilities arising out of your use of these resources. ElecSuper's products are provided subject to ElecSuper's Terms of Sale or other applicable terms available either on elecsuper.com or provided in conjunction with such ElecSuper products. ElecSuper's provision of these resources does not expand or otherwise alter ElecSuper's applicable warranties or warranty disclaimers for ElecSuper products.