

MAX96716F

Dual GMSL2 to CSI-2 Deserializer

General Description

The MAX96716F converts dual GMSL2 serial inputs to MIPI CSI-2. It also transmits and receives control channel data, enabling transmission of forward-path video and bidirectional control data. The GMSL2 link operates at a fixed rate of 3Gbps in the forward direction and 187.5Mbps in the reverse direction.

The GMSL™ inputs operate independently, allowing video with different timing and resolution to be received on each input.

Video data from both inputs can be aggregated for output on a single CSI-2 port or replicated on a second port for redundant processing.

The device and connected serializer are programmed through I²C or UART.

Operation is specified over the automotive temperature range of -40°C to +105°C and the device is AEC-Q100 qualified.

Data may be transmitted over low-cost 50Ω Coax or 100Ω STP cables that meet the GMSL2 channel specification. Contact the factory for the GMSL2 channel specification.

Table 1. Typical Maximum Cable Length vs. Attenuation

	3.2mm Ø 50Ω Coax, Foam Dielectric	2.7mm Ø 50Ω Coax, Solid Dielectric	100Ω Shielded Twisted Pair, AWG26
Attenuation at 3GHz (Typ, Room Temp)	0.9dB/m	1.6dB/m	1.8dB/m
Attenuation at 3GHz (Max, Aged, +105°C)	1.1dB/m	2.0dB/m	2.2dB/m
GMSL Fwd/Rev Data Rate	Typical Maximum Cable Length at +105°C		
3Gbps/187.5Mbps	20m	10m	11m

Applications

- Advanced Driver Assistance Systems (ADAS)
- Satellite LiDAR and RADAR Systems
- 4MP 40fps Forward-Vision Camera (FVC) Systems
- Surround-View Systems (SVS)
- Driver-Monitor Systems (DMS)
- Rear-View Camera (RVC)
- Systems with Multiple Synchronized Cameras

Benefits and Features

- Full-Duplex Capability over a Single Coax or STP Cable
 - 3Gbps Forward-Link Rate
 - 187.5Mbps Reverse-Link Rate
- Dual Four-Lane D-PHY or Dual Two-Lane C-PHY MIPI CSI-2 v1.3 Output Ports
 - Aggregation and Replication Functions
 - Support for 16 Virtual Channels
 - Supports RAW8/10/12/14/16/20, RGB565/666/888, YUV422 8-/10-Bit, User-Defined and Generic Long-Packet Data Types
- Advanced MIPI D-PHY v1.2 Transmitters
 - 80Mbps to 2.5Gbps per Lane
 - Polarity Flip and Data-Lane Reassignment
- Advanced MIPI C-PHY v1.0 Transmitters
 - 182Mbps to 4.56Gbps per Lane
- ASIL-Relevant Functional-Safety Features
 - ASIL-B Compliant
 - End-to-End Data Integrity Through CRC in Tunnel Mode
 - R-S FEC for Protection of Forward Video and Control-Channel Data
 - 16-Bit CRC Protection of Side-Channel Data (I²C, UART, SPI, GPIO) with Retransmission upon Error Detection
 - 32-Bit CRC Protection of Video-Line Data
- Forward- and Reverse-Channel PRBS for BER Testing of Serial Link
- Continuous Link-Margin Monitoring and Optimization
 - Forward-Channel Adaptive Equalization
 - Forward- and Reverse-Channel Eye-Opening Monitor for Continuous Link Margin Diagnosis
- Concurrent Side-Channel for Device Configuration and Communication with Peripherals
 - I²C/UART, Pass-Through I²C/UART, SPI, GPIO, and Register-Programmable GPIO
 - Four Hardware-Programmable Device Addresses
- Reference-over-Reverse (RoR) Channel Supports Crystal-Free Operation of Serializer
- 48-Lead 7mm x 7mm TQFN or TQFN Side-Wettable Package with 0.5mm Lead Pitch

Simplified Application Circuit

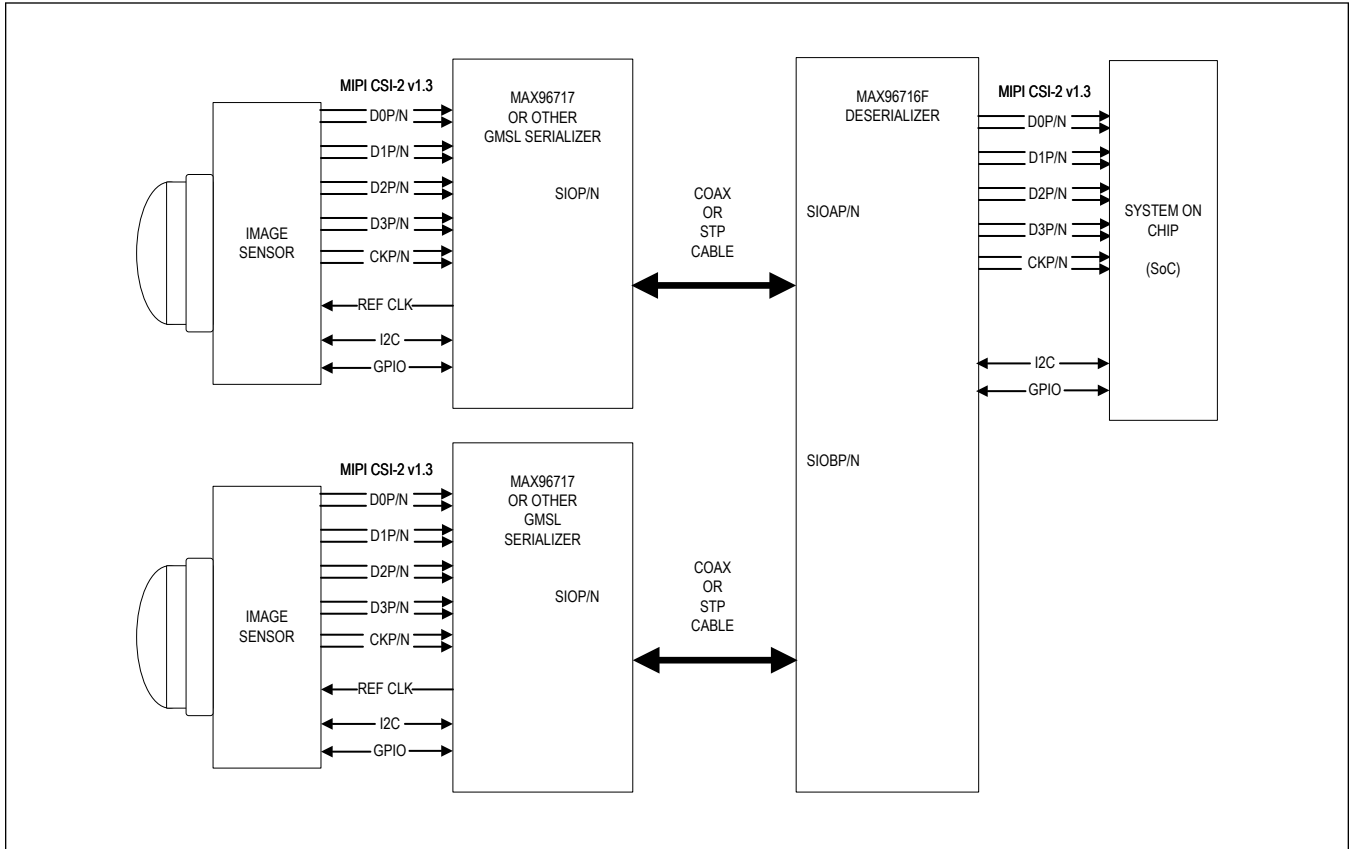


TABLE OF CONTENTS

General Description	1
Applications	1
Benefits and Features	1
Simplified Application Circuit	2
Absolute Maximum Ratings	10
Package Information	10
48-Pin TQFN-SW	10
Electrical Characteristics	11
Typical Operating Characteristics	21
Pin Configuration	23
MAX96716F	23
Pin Descriptions	23
Functional Block Diagram	28
Block Diagram	28
Configuration Pin Connections	28
Detailed Description	29
Additional Documentation	29
Recommended Operating Conditions	29
External Component Requirements	29
ESD Protection	31
Figures	31
Introduction	39
Product Overview	40
GMSL2 Overview	42
Link Error Generator	43
Video Pipeline in Pixel Mode	43
Watermarking	43
Video (Data) Line CRC	43
Vertical and Data Enable or Data Valid Sync Outputs	43
Control-Channel and Side Channels	43
Primary I ² C/UART	44
I ² C/UART CRC and Message Counter	44
I ² C/UART CRC and Message Counter Options	44
Pass-Through I ² C/UART	44
Serial Peripheral Interface (SPI)	44
General Purpose Input and Output (GPIO)	45
Delay in Non-Compensated Mode	45
Delay-Compensated Mode	46
Frame-Sync	46

TABLE OF CONTENTS (CONTINUED)

Control-Channel Retransmission on Error	46
Automatic Repeat Request/Automatic Retransmission (ARQ)	46
Other Functions	46
Tunnel and Pixel Modes	46
Forward-Error Correction	47
Functional Safety Features	48
GMSL2 Physical Layer	48
Cabling Options	48
GMSL2 Bandwidth Sharing	48
GMSL2 Bandwidth Calculations	49
Eye-Opening Monitor (EOM)	50
Line-Fault	50
Coax Mode	51
STP Mode	52
AEQ (Adaptive Equalization)	53
Video Pipes	53
Video-Timing Generator (VTG)	55
RGB888 Video-Pattern Generator	55
Pseudorandom Binary Sequence (PRBS)	55
Video PRBS	55
Link PRBS	55
Video-Memory ECC Protection	56
Scheduler/Arbiter	56
Control-Channel CRC Generation and Checking	56
Serial Peripheral Interface (SPI)	56
CSI-2 Output Interface	57
Lane Configurations and Data Rates	57
CSI-2 Virtual Channel and Data Type Interleaving	57
Video PRBS Generator/Checker	57
MIPI CSI-2 Output Raw PRBS Generator	58
Lane Deskew	58
Minimum Blanking	58
MIPI End-to-End Packet Spacing	58
CFG Latch at Power-Up Pins	59
MFP Function Map and Slew Settings	60
MFP Pin Equivalent Circuits	61
Power-Up and Link Start-Up	62
Device Reset	63
Link and Video Lock	63

TABLE OF CONTENTS (CONTINUED)

Link Lock	64
Video Lock	65
Error and Fault-Condition Monitoring	65
Clocking	65
Spread-Spectrum Clocking	65
Power Supplies	65
Power Standby and Sleep Mode	66
PCB Layout Guidelines for GMSL	66
Ground Plane	66
High-Speed GMSL Traces	67
Power-Over-Coax (PoC) Layout	67
Shielded Twisted-Pair (STP) Layout	68
Thermal Management	68
Applications Information	69
Software Programming Model	69
Programming Notes	69
Primary I ² C/UART Tunnel	69
Control-Channel Programming	69
Conventional I ² C/UART Control-Channel Programming	69
Host-to-Peripheral Primary I ² C and Pass-Through I ² C Communication	69
I ² C Write Packet Format	70
I ² C Read Packet Format	70
Primary I ² C Host-to-GMSL2 Device Communication	70
Main UART	70
UART Base Mode	70
UART Bypass Mode	71
Switching Between UART Base and Bypass Modes	71
UART Frame Format	71
Synchronization Frame	72
Acknowledge Frame	72
Write Packet	72
Read Packet	73
I ² C/UART Control-Channel Programming with Optional CRC and Message Counter	73
I ² C/UART CRC and Message Counter Options	73
I ² C Writes with CRC	73
I ² C Reads with CRC	74
Message Counter Writes	74
Message Counter Reads	74
UART Writes with CRC	74

TABLE OF CONTENTS (CONTINUED)

UART Reads with CRC	75
Typical Application Circuits	76
Ordering Information	76
Register Map	77
Register Details	111
Revision History	351

LIST OF FIGURES

Figure 1. Configuration Pin Connection	28
Figure 2. GMSL2 Reverse-Channel Serial Outputs	31
Figure 3. Ideal Single-Ended and Resulting Differential HS Signals	32
Figure 4. Possible Delta V_{CMTX} and Delta V_{OD} Distortions of Single-Ended HS Signals	32
Figure 5. D-PHY Signaling Levels	33
Figure 6. C-PHY DC Characteristics	33
Figure 7. C-PHY Possible ΔV_{CPTX} and ΔV_{OD} Distortions of Single-Ended HS Signals	34
Figure 8. C-PHY Ideal Single-Ended and Resulting Differential High-Speed Signals	34
Figure 9. GMSL2 Video Latency	35
Figure 10. GPI-to-GPO Delay and Skew	35
Figure 11. D-PHY High-Speed Data Transmission in Bursts. Reference: MIPI Specification for D-PHY v. 1.2, 01-Aug 2014	35
Figure 12. D-PHY Data Clock Timing	36
Figure 13. Switching the Clock Lane between Clock Transmission and Low-Power Mode	36
Figure 14. D-PHY High-Speed Skew Calibration. Reference: MIPI Specification for D-PHY v. 1.2, 01-Aug 2014	37
Figure 15. C-PHY HS Burst Data Transmission. Reference: MIPI Specification for C-PHY v. 1.0, 05-Aug 2014	37
Figure 16. I ² C Timing Parameters	38
Figure 17. SPI Main-Mode Timing Parameters	38
Figure 18. SPI Subordinate-Mode Timing Parameters	39
Figure 19. Ideal Single-Ended and Resulting Differential HS Signals	39
Figure 20. Single Link	40
Figure 21. Dual Link, Separate Data Type	41
Figure 22. Dual Link, Data Aggregation	41
Figure 23. Dual Link, Data Aggregation and Replication	42
Figure 24. Pixel Mode	47
Figure 25. Tunnel Mode	47
Figure 26. Video Frame Format for Bandwidth Calculations	50
Figure 27. Line Fault Detection Location Options	51
Figure 28. Typical GMSL Link Application Circuit for Coax Cable	52
Figure 29. Typical GMSL Link Application Circuit for Twisted Pair (Line-Fault Pair #1: LMN0 and LMN1, Option #2).	53
Figure 30. GMSL2 Video Output of Separate Ports	54
Figure 31. GMSL2 Video Aggregated and Replicated	55
Figure 32. SPI Bridge	57
Figure 33. Video Timing	58
Figure 34. End-to-End Packet Spacing	59
Figure 35. Standard High-Speed GPIO	62
Figure 36. Standard I ² C GPIO	62
Figure 37. GMSL2 Lock Time	64
Figure 38. Coax PoC Layout Example	67

LIST OF FIGURES (CONTINUED)

Figure 39. STP Layout Example	68
Figure 40. I ² C Write Packet Format	70
Figure 41. I ² C Read Packet Format	70
Figure 42. UART Protocol for Base Mode	71
Figure 43. UART Data Format for Base Mode	72
Figure 44. UART Synchronization Frame	72
Figure 45. UART Acknowledge Frame	72
Figure 46. UART Write Packet Format	73
Figure 47. UART Read Packet Format	73
Figure 48. I ² C CRC Engine	73
Figure 49. I ² C Multiple-Byte Write with CRC	73
Figure 50. I ² C Single-Byte Write with CRC	74
Figure 51. I ² C Multiple-Byte Read with CRC	74
Figure 52. I ² C Single-Byte Read with CRC	74
Figure 53. UART CRC Engine	75
Figure 54. UART Multiple-Byte Write Transactions with CRC	75
Figure 55. UART Single-Byte Write Transaction with CRC	75
Figure 56. UART Multiple-Byte Read Transaction with CRC	75
Figure 57. UART Single-Byte Read Transaction with CRC	75

LIST OF TABLES

Table 1. Typical Maximum Cable Length vs. Attenuation	1
Table 2. Recommended Operating Conditions	29
Table 3. External Component Requirements	29
Table 4. ESD Protection	31
Table 5. SPI Latching Edge and Speed	44
Table 6. Typical GPIO Delays for Forward-Link and Reverse-Link Transmission	45
Table 7. Forward- and Reverse-Link Bandwidth Utilization	49
Table 8. Coax Mode Line-Fault Configuration Options	51
Table 9. STP Mode Line Fault Configuration Options for LMN0/LMN1	52
Table 10. STP Mode Line Fault Configuration Options for LMN2/LMN3	52
Table 11. Video-Pattern Generator Pixel Clock Selection.	55
Table 12. CFG0 Input Map	59
Table 13. CFG1 Input Map	59
Table 14. MFP Pin Function Map	60
Table 15. Control- and Side-Channel Typical Rise and Fall Times.	61

Absolute Maximum Ratings

(All voltages with respect to ground)		D-PHY, C-PHY Pins (Note b).....	-0.3V to ($V_{TERM} + 0.1V$)
V _{DDIO}	-0.3V to +3.9V	XRES, X2	-0.3V to ($V_{DD18} + 0.3V$)
V _{DD18}	-0.3V to +2.0V	All Other Pins (Note c)	-0.3V to ($V_{DDIO} + 0.3V$)
V _{DD}	-0.3V to +2.0V	Continuous Power Dissipation (Multilayer Board) ($T_A = +70^\circ C$, derate 40mW/ $^\circ C$ above $+70^\circ C$.)	mW to 2200mW
V _{TERM}	-0.3V to +1.32V	Storage Temperature Range	-40 $^\circ C$ to +150 $^\circ C$
CAP_VDD	-0.3V to +1.2V	Soldering Temperature (Reflow).....	+260 $^\circ C$
SIO_ (Active State) (Note a)	+0.5V to +2.0V		
SIO_ (Inactive State) (Note a)	-0.3V to +1.1V		

Note a: Active state means device is powered-up, and not in sleep or power-down mode. Inactive means device is not powered-up, or powered-up in sleep or power-down mode.

Note b: $V_{TERM} \leq +1.26V$.

Note c: V_{DDIO} = specified maximum voltage or 3.9V, whichever is lower.

Stresses beyond those listed under "Absolute Maximum Ratings" may cause permanent damage to the device. These are stress ratings only, and functional operation of the device at these or any other conditions beyond those indicated in the operational sections of the specifications is not implied. Exposure to absolute maximum rating conditions for extended periods may affect device reliability.

Package Information

48-Pin TQFN-SW

Package Code	T4877Y+11
Outline Number	21-100045
Land Pattern Number	90-100016
Thermal Resistance, Four-Layer Board:	
Junction to Ambient (θ_{JA})	25 $^\circ C/W$
Junction to Case (θ_{JC})	1 $^\circ C/W$

For the latest package outline information and land patterns (footprints), go to www.maximintegrated.com/packages. Note that a "+", "#", or "-" in the package code indicates RoHS status only. Package drawings may show a different suffix character, but the drawing pertains to the package regardless of RoHS status.

Package thermal resistances were obtained using the method described in JEDEC specification JESD51-7, using a four-layer board. For detailed information on package thermal considerations, refer to www.maximintegrated.com/thermal-tutorial.

Electrical Characteristics

($V_{DD18} = 1.7V$ to $1.9V$, $V_{DD} = 0.95V$ to $1.05V$ or $V_{DD} = 1.14V$ to $1.26V$, $V_{DDIO} = 1.7V$ to $3.6V$, $V_{TERM} = 1.14$ to $1.26V$, $T_A = -40^\circ C$ to $+105^\circ C$, EP connected to PCB ground, typical values are at $V_{DD18} = V_{DDIO} = 1.8V$, $V_{DD} = 1.0V$, $V_{TERM} = 1.2V$, $T_A = 25^\circ C$, unless otherwise noted. ([Note 1](#)))

PARAMETER	SYMBOL	CONDITIONS	MIN	TYP	MAX	UNITS
DC ELECTRICAL CHARACTERISTICS / GMSL2 REVERSE-CHANNEL SERIAL I/O (SIOAP, SIOAN, SIOBP, SIOBN)—SEE Figure 2						
Output-Voltage Swing (Single-Ended)	V_O	GMSL2 mode $R_L = 100\Omega \pm 1\%$, ($V_{OH} - V_{OL}$) for all outputs	190	250	310	mV
Output-Voltage Swing (Differential)	V_{ODT}	GMSL2 Mode $R_L = 100\Omega \pm 1\%$, peak-to-peak differential voltage	380	500	620	mV
Change in V_{OD} Between Complementary Output States	ΔV_{OD}	$R_L = 100\Omega \pm 1\%$, $ V_{OD(H)} - V_{OD(L)} $			25	mV
Differential Output Offset Voltage	V_{OS}	$R_L = 100\Omega \pm 1\%$, offset voltage in each output state	$V_{DD18} - 0.45$	$V_{DD18} - 0.3$	$V_{DD18} - 0.15$	V
Change in V_{OS} Between Complementary Output States	ΔV_{OS}	$R_L = 100\Omega \pm 1\%$, $ V_{OD(H)} - V_{OD(L)} $			25	mV
Output Termination Resistance (Internal)	R_T	Any pin to V_{DD18}	50	55	60	Ω
DC ELECTRICAL CHARACTERISTICS / C-PHY AND D-PHY LP TRANSMITTER						
High-Level Output Voltage	V_{OH}	See Figure 5 , Figure 6	0.95	1.2	1.3	V
Low-Level Output Voltage	V_{OL}	See Figure 5 , Figure 6	-50		50	mV
Output Impedance	Z_{OLP}	(Note 9)	110			Ω
DC ELECTRICAL CHARACTERISTICS / D-PHY HS TRANSMITTER						
HS Transmit Static Common-Mode Voltage	V_{CMTX}	See Figure 5	150	200	250	mV
V_{CMTX} Mismatch when Output is Differential-1 or Differential-0	$ \Delta V_{CMTX(1,0)} $	$\Delta V_{CMTX(1,0)} = (V_{CMTX(1)} - V_{CMTX(0)})/2$, See Figure 4			5	mV
HS Transmit Differential Voltage	$ V_{OD} $	See Figure 3	140	200	270	mV
V_{OD} Mismatch when Output is Differential-1 or Differential-0	$ \Delta V_{OD} $	See Figure 4			14	mV
HS Output High Voltage	V_{OHHS}	See Figure 5			360	mV
Single-Ended Output Impedance	Z_{OS}		40	50	62.5	Ω
Single-Ended Output Impedance Mismatch	ΔZ_{OS}				15	%
DC ELECTRICAL CHARACTERISTICS / C-PHY HS TRANSMITTER						
HS Transmit Static Common-Point Voltage	V_{CPTX}	See Figure 6 , (Note 4 , Note 6)	175	225 to 250	310	mV

Electrical Characteristics (continued)

($V_{DD18} = 1.7V$ to $1.9V$, $V_{DD} = 0.95V$ to $1.05V$ or $V_{DD} = 1.14V$ to $1.26V$, $V_{DDIO} = 1.7V$ to $3.6V$, $V_{TERM} = 1.14$ to $1.26V$, $T_A = -40^\circ C$ to $+105^\circ C$, EP connected to PCB ground, typical values are at $V_{DD18} = V_{DDIO} = 1.8V$, $V_{DD} = 1.0V$, $V_{TERM} = 1.2V$, $T_A = 25^\circ C$, unless otherwise noted. ([Note 1](#)))

PARAMETER	SYMBOL	CONDITIONS	MIN	TYP	MAX	UNITS
V_{CPTX} Mismatch when Output is in any of the Six High-Speed States	$ \Delta V_{CPTX(HS)} $	See Figure 7			9	mV
HS Transmit Differential Voltage of the Differential Strong 1 and Strong 0	$ \Delta V_{OD} _{strong}$	See Figure 8 , (Note 4)			300	mV
HS Transmit Differential Voltage of the Differential Weak 1 and Weak 0	$ \Delta V_{OD} _{weak}$	See Figure 8 , (Note 4)	97			mV
V_{OD} Mismatch Between the Absolute Values of the Differential Strong 1 and Strong 0 Output Voltage is any of the Six Possible High-Speed States	$ \Delta V_{OD} $	See Figure 7			17	mV
HS Output High Voltage	V_{OHHS}	See Figure 6 , (Note 4)			425	mV
Single-Ended Output Impedance	Z_{OS}		40	50	60	Ω
Single-Ended Output Impedance Mismatch	ΔZ_{OS}				10	%
DC ELECTRICAL CHARACTERISTICS / I/O PINS (GPIO)						
High-Level Input Voltage	V_{IH}		$0.7 \times V_{DDIO}$			V
Low-Level Input Voltage	V_{IL}			$0.3 \times V_{DDIO}$		V
High-Level Output Voltage	V_{OH}	$I_{OH} = -4mA$	$V_{DDIO} - 0.4$			V
Low-Level Output Voltage	V_{OL}	$I_{OL} = 4mA$			0.4	V
Input Current	I_{IN}	$V_{IN} = 0$ to V_{DDIO} . All pull-up/pull-down devices disabled.			1	μA
Input Capacitance	C_{IN}			5		pF
Input Pull-Up/Pull-Down Resistance	R_{IN}	40k Ω enabled		40		k Ω
		1M Ω enabled		1		M Ω
DC ELECTRICAL CHARACTERISTICS / OPEN-DRAIN PINS (SDA_, SCL_, SDA_RX, TX_SCL, LOCK, ERRB/LFLTb, ODO)						
High-Level Input Voltage	V_{IH}		$0.7 \times V_{DDIO}$			V
Low-Level Input Voltage	V_{IL}			$0.3 \times V_{DDIO}$		V
Low-Level Open-Drain Output Voltage	V_{OL}	$I_{OL} = 4mA$			0.4	V

Electrical Characteristics (continued)

($V_{DD18} = 1.7V$ to $1.9V$, $V_{DD} = 0.95V$ to $1.05V$ or $V_{DD} = 1.14V$ to $1.26V$, $V_{DDIO} = 1.7V$ to $3.6V$, $V_{TERM} = 1.14$ to $1.26V$, $T_A = -40^\circ C$ to $+105^\circ C$, EP connected to PCB ground, typical values are at $V_{DD18} = V_{DDIO} = 1.8V$, $V_{DD} = 1.0V$, $V_{TERM} = 1.2V$, $T_A = 25^\circ C$, unless otherwise noted. (*Note 1*))

PARAMETER	SYMBOL	CONDITIONS	MIN	TYP	MAX	UNITS
Input Current	I_{IN}	$V_{IN} = 0$ to V_{DDIO} . All pull-up/pull-down devices disabled.			1	μA
Input Capacitance	C_{IN}			3		pF
Internal Pull-Up Resistor	R_{PU}	40k Ω enabled		40		k Ω
		1M Ω enabled		1		M Ω
DC ELECTRICAL CHARACTERISTICS / PWDNB INPUT						
High-Level Input Voltage	V_{IH}		$0.7 \times V_{DDIO}$			V
Low-Level Input Voltage	V_{IL}				$0.3 \times V_{DDIO}$	V
Input Current	I_{IN}	$V_{IN} = 0$ to V_{DDIO}			6	μA
Internal Pull-Down Resistance	R_{PD}			1		M Ω
Input Capacitance	C_{IN}			3		pF
DC ELECTRICAL CHARACTERISTICS / PUSH-PULL OUTPUTS						
High-Level Output Voltage	V_{OH}	$I_{OH} = -4mA$	$V_{DDIO} - 0.4$			V
Low-Level Output Voltage	V_{OL}	$I_{OL} = 4mA$			0.4	V
DC ELECTRICAL CHARACTERISTICS / LINE FAULT DETECTION INPUT, (See Figure 28, [[Typical GMSL Link Application Circuit for Twisted Pair (Line Fault Pair #1: LMN0 and LMN1, Option #2)])]						
Open Pin Voltage	V_{O0}	LMN0, LMN2		1.25		V
	V_{O1}	LMN1, LMN3		0.75		
DC ELECTRICAL CHARACTERISTICS / REFERENCE CLOCK INPUT REQUIREMENTS (CRYSTAL), (X1/OSC, X2)						
X1 Input Capacitance	C_{IN_X1}			3		pF
X2 Input Capacitance	C_{IN_X2}			1		pF
X2 Limit Resistor	R_{LIM}			1.2		k Ω
Feedback Resistor	R_{FB}			10		k Ω
Transconductance	g_m			28		mA/V
DC ELECTRICAL CHARACTERISTICS / REFERENCE CLOCK INPUT REQUIREMENTS (X1/OSC DRIVEN BY EXTERNAL CLOCK, X2 FLOATING)						
High-Level Input Voltage	V_{IH}		0.9			V
Low-Level Input Voltage	V_{IL}				0.4	V
X1 Input Capacitance	C_{IN_X1}			3		pF
Input Resistance	R_{IN}			10		k Ω
DC ELECTRICAL CHARACTERISTICS / POWER SUPPLY CURRENTS						
Supply Current	I_{DD}	2x 3Gbps input, 2x 4-lane output, 600Mbps/lane	V_{DD} (internal LDO not used)	145	430	mA

Electrical Characteristics (continued)

($V_{DD18} = 1.7V$ to $1.9V$, $V_{DD} = 0.95V$ to $1.05V$ or $V_{DD} = 1.14V$ to $1.26V$, $V_{DDIO} = 1.7V$ to $3.6V$, $V_{TERM} = 1.14$ to $1.26V$, $T_A = -40^\circ C$ to $+105^\circ C$, EP connected to PCB ground, typical values are at $V_{DD18} = V_{DDIO} = 1.8V$, $V_{DD} = 1.0V$, $V_{TERM} = 1.2V$, $T_A = 25^\circ C$, unless otherwise noted. ([Note 1](#)))

PARAMETER	SYMBOL	CONDITIONS		MIN	TYP	MAX	UNITS
Supply Current	I_{DD}	2x 3Gbps input, 2x 4-lane output, 600Mbps/lane	V_{DD} (internal LDO used)		140	400	mA
			V_{DD18}		196	245	
			V_{TERM}		27	40	
Maximum V_{DDIO} Supply Current (Note 5)	I_{DDIO}	Per toggling GPIO, $C_L = 20pF$	$V_{DDIO} = 3.3V$		81		$\mu A/MHz$
			$V_{DDIO} = 1.8V$		44		
DC ELECTRICAL CHARACTERISTICS / POWER-DOWN CURRENT							
Maximum Power-Down Current	I_{DD}	V_{DDIO} at 3.6V	$T_A = +25^\circ C$		6		μA
			$T_A = +105^\circ C$		7		
		V_{TERM} at 1.26V	$T_A = +25^\circ C$		< 1		
			$T_A = +105^\circ C$		< 1		
		V_{DD18} at 1.9V	$T_A = +25^\circ C$		< 1		
			$T_A = +105^\circ C$		28		
V_{DD} at 1.26V	$T_A = +25^\circ C$		6				
	$T_A = +105^\circ C$		6				
DC ELECTRICAL CHARACTERISTICS / SLEEP CURRENT							
Maximum Sleep Current	I_{DD}	V_{DDIO} at 3.6V	$T_A = +25^\circ C$		9		μA
			$T_A = +105^\circ C$		9		
		V_{TERM} at 1.26V	$T_A = +25^\circ C$		< 1		
			$T_A = +105^\circ C$		< 1		
		V_{DD18} at 1.9V	$T_A = +25^\circ C$		17		
			$T_A = +105^\circ C$		47		
V_{DD} at 1.26V	$T_A = +25^\circ C$		7				
	$T_A = +105^\circ C$		6				
AC ELECTRICAL CHARACTERISTICS / GMSL2 FORWARD-CHANNEL SWITCHING CHARACTERISTICS							
Lock Time	t_{LOCK}	From power-up, one-shot reset, or rising edge of PWDNB to rising edge of LOCK. See Figure 37			65		ms
Maximum Video Initialization Time	$t_{VIDEOSTART}$	Time from GMSL2 video packets at SIO_ to valid packets at the CSI-2 output (assumes link locked and registers configured).			$0.1 + (6600 \times T_{PCLK})$		ms
Maximum Video Latency	t_{VL}	Time from the first pixel in a GMSL2 packet at SIO_ to the first pixel in the CSI-2 output packet. See Figure 9			$1 \text{ video line} + (128 \times T_{PCLK})$		s
PWDNB Hold Time	t_{HOLD_PWDNB}	The minimum duration PWDNB must be held LOW to reset the chip.			1		ms
AC ELECTRICAL CHARACTERISTICS / GMSL2 REVERSE CHANNEL SERIAL OUTPUTS (SIO_P, SIO_N) (Note 2)							
Serial Output Rise Time	t_R	20% to 80%, $V_O = 250mV$, $R_L = 100\Omega$			2300		ps
Serial Output Fall Time	t_F	80% to 20%, $V_O = 250mV$, $R_L = 100\Omega$			2300		ps

Electrical Characteristics (continued)

($V_{DD18} = 1.7V$ to $1.9V$, $V_{DD} = 0.95V$ to $1.05V$ or $V_{DD} = 1.14V$ to $1.26V$, $V_{DDIO} = 1.7V$ to $3.6V$, $V_{TERM} = 1.14$ to $1.26V$, $T_A = -40^\circ C$ to $+105^\circ C$, EP connected to PCB ground, typical values are at $V_{DD18} = V_{DDIO} = 1.8V$, $V_{DD} = 1.0V$, $V_{TERM} = 1.2V$, $T_A = 25^\circ C$, unless otherwise noted. ([Note 1](#)))

PARAMETER	SYMBOL	CONDITIONS	MIN	TYP	MAX	UNITS
Total Serial Output Jitter	t_{TSOJ}	PRBS7, single-ended or differential output		0.15		UI (p-p)
Deterministic Serial Output Jitter	t_{DSOJ}	PRBS7, single-ended or differential output		0.1		UI (p-p)
GPI-GPO Delay Reverse Path	t_{GPDR}	Delay-compensated mode See Figure 10		15		μs
		Non-delay-compensated mode See Figure 10		6		
GPI-GPO Skew Reverse Path	t_{SKEW}	Delay-compensated mode See Figure 10		7		ns
AC ELECTRICAL CHARACTERISTICS / CSI-2 HS TRANSMITTER, CONFIGURED AS D-PHY						
Common-Level Variations, HF	$\Delta V_{CMTX(HF)}$	> 450MHz, See Figure 4 (Note 2)			15	mV _{RMS}
Common-Level Variations, LF	$\Delta V_{CMTX(LF)}$	50MHz to 450MHz, See Figure 4 (Note 2)			25	mV _{PEAK}
20% to 80% Rise Time and Fall Time	t_R and t_F	(Note 2)			0.4	UI
		(Note 2)	50			ps
Tx Differential Return Loss	S_{ddTX}	$f_{HMAX} = 1.0GHz$		-10		dB
		$f_{MAX} = 1.5GHz$		-8		
Tx Common Mode Return Loss	S_{ccTX}	$f_{MAX} = 1.5GHz$		-7		dB
Data-Lane Bit Rate	DL_{BR}		80		2500	Mbps
Clock-Lane Frequency	CL_{FREQ}		40		1250	MHz
CSI-2 Output Inter-Packet Spacing	t_{SPACE}			300 +	370UI	ns
AC ELECTRICAL CHARACTERISTICS / D-PHY AND C-PHY LP TRANSMITTER (Note 2)						
15% to 85% Fall Time	t_{FLP}	(Note 3)			25	ns
30% to 85% Rise Time	T_{REOT}	See Figure 11 , Figure 15 , (Note 8)			35	ns
Load Capacitance	C_{LOAD}	(Note 3)	0		70	pF
AC ELECTRICAL CHARACTERISTICS / D-PHY DATA-CLOCK TIMING (Note 2)						
UI Instantaneous	UI_{INST}		0.4		12.5	ns
UI Variation	ΔUI	$UI \geq 1ns$, within a single burst	-10%		10%	UI
		$0.667ns < UI < 1ns$, within a single burst	-5%		5%	
Data to Clock Skew	T_{SKEW}	0.08Gbps to 1.0Gbps, See Figure 12	-0.15		0.15	UI_{INST}
		> 1.0Gbps to 1.5Gbps, See Figure 12	-0.20		0.20	
Static Data to Clock Skew (Tx)	$T_{SKEW(TX) Static}$	> 1.5Gbps, See Figure 12	-0.20		0.20	UI_{INST}
Dynamic Data to Clock Skew (Tx)	$T_{SKEW(TX) Dynamic}$	> 1.5Gbps, See Figure 12	-0.15		0.15	UI_{INST}

Electrical Characteristics (continued)

($V_{DD18} = 1.7V$ to $1.9V$, $V_{DD} = 0.95V$ to $1.05V$ or $V_{DD} = 1.14V$ to $1.26V$, $V_{DDIO} = 1.7V$ to $3.6V$, $V_{TERM} = 1.14$ to $1.26V$, $T_A = -40^{\circ}C$ to $+105^{\circ}C$, EP connected to PCB ground, typical values are at $V_{DD18} = V_{DDIO} = 1.8V$, $V_{DD} = 1.0V$, $V_{TERM} = 1.2V$, $T_A = 25^{\circ}C$, unless otherwise noted. ([Note 1](#)))

PARAMETER	SYMBOL	CONDITIONS	MIN	TYP	MAX	UNITS
AC ELECTRICAL CHARACTERISTICS / CSI-2 D-PHY GLOBAL OPERATION TIMING (Note 2)						
Time the Transmitter Drives the HS Clock Before any Associated Data Lane Beginning the Transition from LP Mode to HS Mode.	$T_{CLK-PRE}$	See Figure 13	8			UI_{INST}
Time the Transmitter Drives the Clock Lane LP-00 Line State Immediately Before the HS-0 Line State Starting the HS Transmission.	$T_{CLK-PREPARE}$	See Figure 13	38		95	ns
$T_{CLK-PREPARE}$ + Time the Transmitter Drives the HS-0 State Before Starting the Clock.	$T_{CLK-PREPARE} + T_{CLK-ZERO}$	See Figure 13	300			ns
Transmitted Time Interval from the Start of $T_{HS-TRAIL}$ or $T_{CLK-TRAIL}$, to the Start of the LP-11 State Following an HS Burst.	T_{EOT}	See Figure 11 , Figure 13 , and Figure 14			$105 + 12 \times UI$	ns
Time the Transmitter Drives LP-11 Following an HS Burst.	$T_{HS-EXIT}$	See Figure 11 , Figure 13 , and Figure 14	100			ns
Time the Transmitter Drives the Data Lane LP-00 Line State Immediately Before the HS-0 Line State Starting the HS Transmission.	$T_{HS-PREPARE}$	See Figure 11 , Figure 13 , and Figure 14	$40 + 4 \times UI$		$85 + 6 \times UI$	ns
$T_{HS-PREPARE}$ + Time the Transmitter Drives the HS-0 State Before Transmitting the Sync Sequence.	$T_{HS-PREPARE} + T_{HS-ZERO}$	See Figure 11	$145 + 10 \times UI$			ns
Time the Transmitter Drives the Flipped Differential State After Last Payload Data Bit of an HS Transmission Burst.	$T_{HS-TRAIL}$	See Figure 11 , Figure 14	$60 + 4 \times UI$			ns
Initialization	T_{INIT}		100			μs
Transmitted Length of Any Low-Power State Period.	T_{LPX}	See Figure 11 , Figure 13 , and Figure 14	50			ns

Electrical Characteristics (continued)

($V_{DD18} = 1.7V$ to $1.9V$, $V_{DD} = 0.95V$ to $1.05V$ or $V_{DD} = 1.14V$ to $1.26V$, $V_{DDIO} = 1.7V$ to $3.6V$, $V_{TERM} = 1.14$ to $1.26V$, $T_A = -40^\circ C$ to $+105^\circ C$, EP connected to PCB ground, typical values are at $V_{DD18} = V_{DDIO} = 1.8V$, $V_{DD} = 1.0V$, $V_{TERM} = 1.2V$, $T_A = 25^\circ C$, unless otherwise noted. ([Note 1](#)))

PARAMETER	SYMBOL	CONDITIONS	MIN	TYP	MAX	UNITS
Time the Transmitter Drives the Skew-Calibration Sync Pattern, 0xFFFF.	$T_{SKEWCAL_SYNC}$	See Figure 14		16		UI
Time the Transmitter Drives the Skew-Calibration Pattern in the Initial Skew-Calibration Mode.	$T_{SKEWCAL}$	See Figure 14			100	μs
		See Figure 14	2^{15}			UI
Time the Transmitter Drives the Skew-Calibration Pattern in the Periodic Skew-Calibration Mode.	$T_{SKEWCAL}$	See Figure 14			10	μs
		See Figure 14	2^{10}			UI
AC ELECTRICAL CHARACTERISTICS / CSI-2 HS TRANSMITTER, CONFIGURED AS C-PHY						
Common-Level Variations (Note 2)	$\Delta V_{CPTX(HF)}$	> 450MHz			15	mV _{RMS}
	$\Delta V_{CPTX(LF)}$	50MHz to 450MHz			25	mV _{PEAK}
Rise Time	t_R	Strong 0 to weak 1 transition, -58mV to +58mV, $Z_{ID} = 100\Omega$ (Note 2)			0.285	UI
Fall time	t_F	Strong 1 to weak 0 transition, +58mV to -58mV, $Z_{ID} = 100\Omega$ (Note 2)			0.285	UI
Rise Time and Fall Time Limit	$t_{RISE-FALL-MAX}$	-58mV to +58mV, $Z_{ID} = 100\Omega$. (Note 2 , Note 7)			360	ps
Differential-Mode Reflection Coefficient (Note 10)	S_{ddTX}	$f_h = 1.25GHz$		-12		dB
		$f_{MAX} = 1.875GHz$		-9		
Common-Mode Reflection Coefficient (Note 10)	S_{ccTX}	$f_{MAX} = 1.875GHz$		-10		dB
C-PHY Lane Bit Rate	C_{BR}		182		4560	Mbps
CSI-2 Output Inter-Packet Spacing	t_{SPACE}			300 + 370 x UI		ns
UI Instantaneous	UI_{INST}		0.4		12.5	ns
AC ELECTRICAL CHARACTERISTICS / CSI-2 C-PHY GLOBAL OPERATION TIMING—SEE Figure 15 (Note 2)						
Time that the Transmitter Drives the 3-Wire LP-000 Line State Immediately Before the HS_+ x Line State Starting the HS Transmission	$t_{3-PREPARE}$	(Note 2)	38		95	ns
Time the Transmitter Drives LP-111 After an HS Burst.	$t_{3-HS-EXIT}$	(Note 2)	100			ns

Electrical Characteristics (continued)

($V_{DD18} = 1.7V$ to $1.9V$, $V_{DD} = 0.95V$ to $1.05V$ or $V_{DD} = 1.14V$ to $1.26V$, $V_{DDIO} = 1.7V$ to $3.6V$, $V_{TERM} = 1.14$ to $1.26V$, $T_A = -40^\circ C$ to $+105^\circ C$, EP connected to PCB ground, typical values are at $V_{DD18} = V_{DDIO} = 1.8V$, $V_{DD} = 1.0V$, $V_{TERM} = 1.2V$, $T_A = 25^\circ C$, unless otherwise noted. ([Note 1](#)))

PARAMETER	SYMBOL	CONDITIONS	MIN	TYP	MAX	UNITS
Transmitted Length of Any Low-Power State Period	t_{LPX}	(Note 1 , Note 2)	50			ns
Initialization Time	t_{INIT}	(Note 2)	100			μs
AC ELECTRICAL CHARACTERISTICS / I²C/UART PORT TIMING—SEE Figure 16						
I ² C/UART Bit Rate			9.6		1000	kbps
Output Fall Time	t_F	70% to 30%, $C_L = 20pF$ to $100pF$, $1k\Omega$ pull-up to V_{DDIO}	$20 \times V_{DDIO}/5$		150	ns
I ² C/UART Wake Time	t_{WAKEUP}	From power-up, or rising edge of PWDNB to local register access. For remote register access, I ² C/UART wake time is the same as lock time (t_{LOCK}).		13.0	15.5	ms
AC ELECTRICAL CHARACTERISTICS / I²C TIMING—SEE Figure 16						
SCL Clock Frequency	f_{SCL}	Low f_{SCL} range: (I2CMSTBT = 010, I2CSLVSH = 10)	9.6		100	kHz
		Mid f_{SCL} range: (I2CMSTBT 101, I2CSLVSH = 01)	> 100		400	
		High f_{SCL} range: (I2CMSTBT = 111, I2CSLVSH = 00)	> 400		1000	
Start Condition Hold Time	$t_{HD:STA}$	f_{SCL} range, Low	4			μs
		f_{SCL} range, Mid	0.6			μs
		f_{SCL} range, High	0.26			μs
Low Period of SCL Clock	t_{LOW}	f_{SCL} range, Low	4.7			μs
		f_{SCL} range, Mid	1.3			μs
		f_{SCL} range, High	0.5			μs
High Period of SCL Clock	t_{HIGH}	f_{SCL} range, Low	4			μs
		f_{SCL} range, Mid	0.6			μs
		f_{SCL} range, High	0.26			μs
Repeated Start Condition Setup Time	$t_{SU:STA}$	f_{SCL} range, Low	4.7			μs
		f_{SCL} range, Mid	0.6			μs
		f_{SCL} range, High	0.26			μs
Data Hold Time	$t_{HD:DAT}$	f_{SCL} range, Low	0			ns
		f_{SCL} range, Mid	0			ns
		f_{SCL} range, High	0			ns
Data Setup Time	$t_{SU:DAT}$	f_{SCL} range, Low	250			ns
		f_{SCL} range, Mid	100			ns
		f_{SCL} range, High	50			ns
Setup Time for Stop Condition	$t_{SU:STO}$	f_{SCL} range, Low	4			μs
		f_{SCL} range, Mid	0.6			μs
		f_{SCL} range, High	0.26			μs

Electrical Characteristics (continued)

($V_{DD18} = 1.7V$ to $1.9V$, $V_{DD} = 0.95V$ to $1.05V$ or $V_{DD} = 1.14V$ to $1.26V$, $V_{DDIO} = 1.7V$ to $3.6V$, $V_{TERM} = 1.14$ to $1.26V$, $T_A = -40^\circ C$ to $+105^\circ C$, EP connected to PCB ground, typical values are at $V_{DD18} = V_{DDIO} = 1.8V$, $V_{DD} = 1.0V$, $V_{TERM} = 1.2V$, $T_A = 25^\circ C$, unless otherwise noted. ([Note 1](#)))

PARAMETER	SYMBOL	CONDITIONS	MIN	TYP	MAX	UNITS
Bus Free Time	t_{BUF}	f _{SCL} range, Low	4.7			μs
		f _{SCL} range, Mid	1.3			
		f _{SCL} range, High	0.5			
Data Valid Time	$t_{VD:DAT}$	f _{SCL} range, Low			3.45	μs
		f _{SCL} range, Mid			0.9	
		f _{SCL} range, High			0.45	
Data Valid Acknowledge Time	$t_{VD:ACK}$	f _{SCL} range, Low			3.45	μs
		f _{SCL} range, Mid			0.9	
		f _{SCL} range, High			0.45	
Pulse Width of Spikes Suppressed	t_{SP}	f _{SCL} range, Low			50	ns
		f _{SCL} range, Mid			50	
		f _{SCL} range, High			50	
Capacitive Load on Each Bus Line	C_B	(Note 2)			100	pF
AC ELECTRICAL CHARACTERISTICS / SPI MAIN—SEE Figure 17 (Note 11)						
Programmable Operating Frequency Range	f_{MCK}	(Note 2)	0.588		25	MHz
SCLK Period	t_{MCK}			$1/f_{MCK}$		ns
SCLK Output Pulse-Width High/Low	t_{MCH} , t_{MCL}	$C_L = 5pF$ (Note 2)	$t_{MCK}/2 - \frac{t_{MCK}}{3}$	$t_{MCK}/2$		ns
MOSI Data Output Delay	t_{MOD}	After SCLK falling edge (Note 2)	-6		3	ns
MISO Input Setup Time	t_{MIS}	Before programmed sampling edge (Note 2)	13.5			ns
MISO Input Hold Time	t_{MIH}	After programmed sampling edge (Note 2)	-2			ns
AC ELECTRICAL CHARACTERISTICS / SPI SUBORDINATE—SEE Figure 18 (Note 11)						
Operating Frequency	f_{SCK}	(Note 2)			50	MHz
SCLK Period	t_{SCK}			$1/f_{SCK}$		ns
MISO Data Output Delay	t_{SOD}	After SCLK falling edge, (Note 2)	3		12.5	ns
MOSI Input Setup Time	t_{SIS}	Before SCLK rising edge	5			ns
MOSI Input Hold Time	t_{SIH}	After SCLK rising edge	3			ns
AC ELECTRICAL CHARACTERISTICS / REFERENCE CLOCK INPUT REQUIREMENTS (CRYSTAL) (X1/OSC, X2)						
Frequency	f_{REF}			25		MHz
Frequency Stability + Frequency Tolerance	f_{TN}		-200		+200	ppm
AC ELECTRICAL CHARACTERISTICS / REFERENCE CLOCK INPUT REQUIREMENTS (EXTERNAL INPUT ON X1/OSC, X2 FLOATING)						
Frequency	F_{REF}			25		MHz

Electrical Characteristics (continued)

($V_{DD18} = 1.7V$ to $1.9V$, $V_{DD} = 0.95V$ to $1.05V$ or $V_{DD} = 1.14V$ to $1.26V$, $V_{DDIO} = 1.7V$ to $3.6V$, $V_{TERM} = 1.14$ to $1.26V$, $T_A = -40^\circ C$ to $+105^\circ C$, EP connected to PCB ground, typical values are at $V_{DD18} = V_{DDIO} = 1.8V$, $V_{DD} = 1.0V$, $V_{TERM} = 1.2V$, $T_A = 25^\circ C$, unless otherwise noted. ([Note 1](#)))

PARAMETER	SYMBOL	CONDITIONS	MIN	TYP	MAX	UNITS
Frequency Stability + Frequency Tolerance	f_{TN}		-200		+200	ppm
Duty Cycle	DC		40	50	60	%
Input Jitter	t_{JIN}	Forward data rate = 6/3Gbps, Reverse data rate = 187.5Mbps, Sinusoidal jitter < 1MHz (rising edge)			150	ps (p-p)
Input Rise Time	t_R	10% to 90%		5		ns
Input Fall Time	t_F	90% to 10%		5		ns

Note 1: Limits are 100% tested at $T_A = +105^\circ C$, unless otherwise noted. Limits over the operating temperature range and relevant supply voltage range are guaranteed by design and characterization. Maximum supply currents are specified for $T_J = +105^\circ C$.

Note 2: Not production tested. Guaranteed by design and characterization.

Note 3: C_{LOAD} includes the low-frequency equivalent transmission line capacitance. The capacitance of Tx and Rx are always assumed as < 10pF. The distributed line capacitance can be up to 50pF for a transmission line with 2ns delay.

Note 4: Value when driving into load impedance $Z_{ID} = 100\Omega$.

Note 5: MFP pin speed programmed to fastest setting (TTS = 00). See the [MFP Function Map and Slew Settings](#) section for details on MFP speed programming.

Note 6: Typical value of V_{CPTX} should be in the specified range depending upon the supply voltage used for each implementation.

Note 7: Measured as average across any 50mV segment of the output signal transition.

Note 8: The rise-time of t_{REOT} starts from the HS common-level at the moment the differential amplitude drops below 70mV, due to stopping the differential drive.

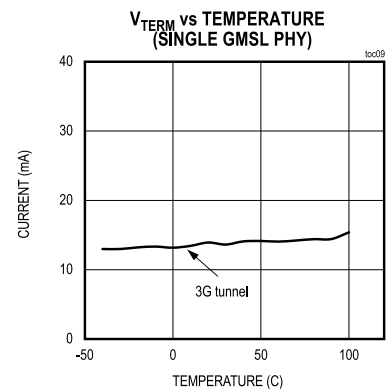
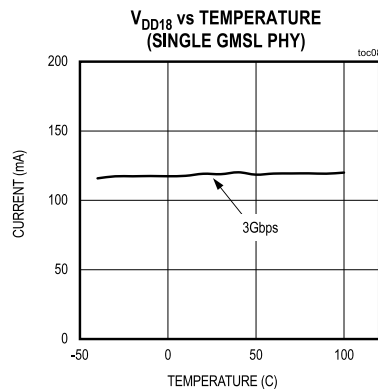
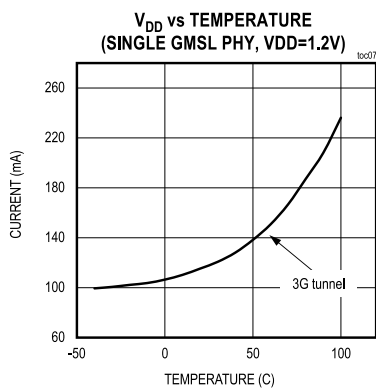
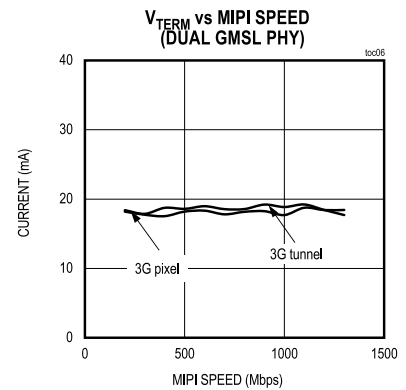
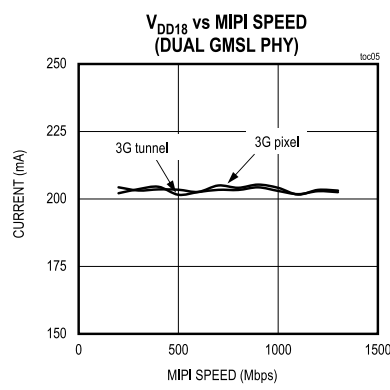
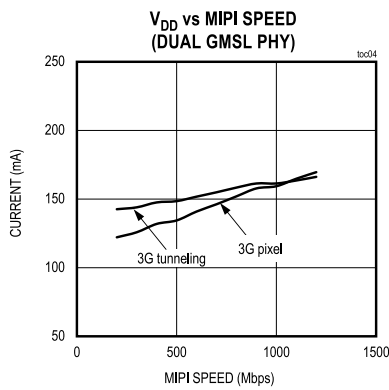
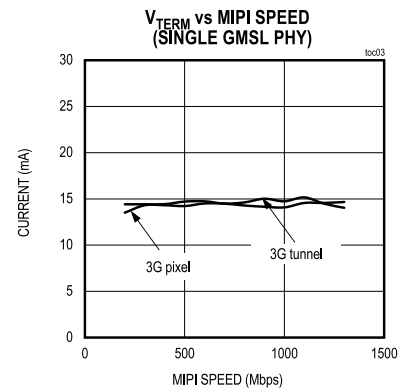
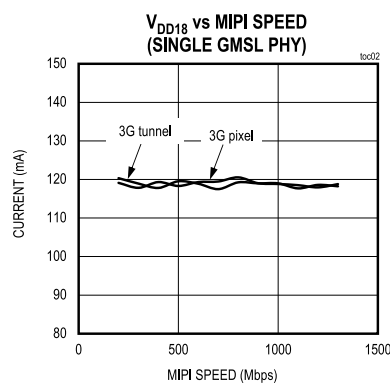
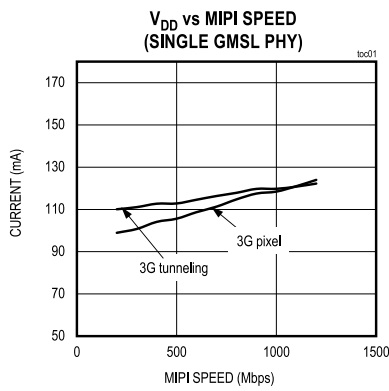
Note 9: Though no maximum value for Z_{OLP} is specified, the LP transmitter output impedance ensures the t_{RLP}/t_{FLP} specification is met.

Note 10: Differential-Mode and Common-Mode reflection coefficients are compliant with MIPI C-PHY V1.0 requirements over all specified operating frequencies.

Note 11: Measured at 25MHz.

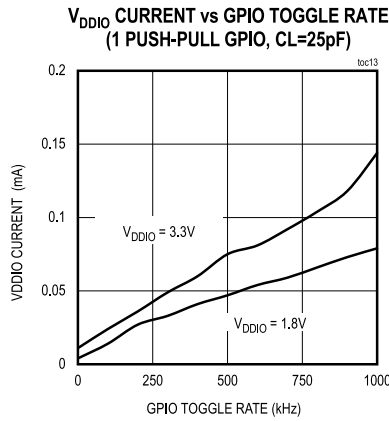
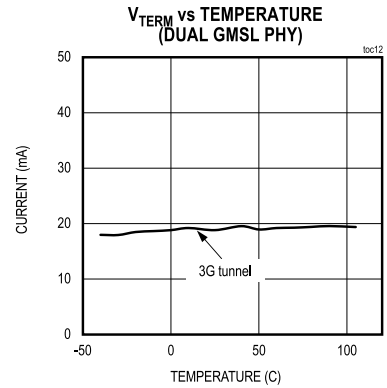
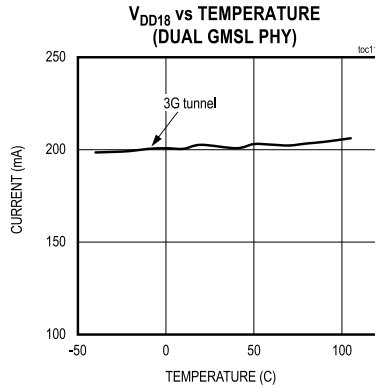
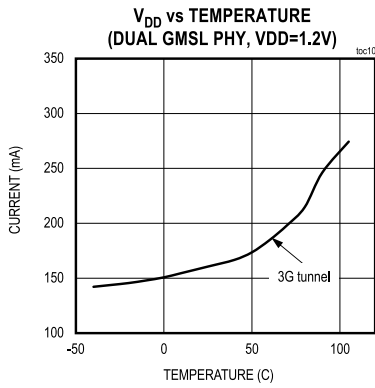
Typical Operating Characteristics

($V_{TERM} = 1.2V$, $V_{DD18} = 1.8V$, $V_{DDIO} = 1.8V$, $V_{DD} = 1.0V$, $T_A = +25^{\circ}C$ unless otherwise noted. PRBS24 data, 1300Mbps per CSI-2 lane. Single GMSL2 PHY configuration: SIOA or SIOB GMSL2 input enabled, data output on 2-lane Port A or Port B. Dual GMSL2 PHY configuration: SIOA data output on 2-lane CSI-2 Port A, SIOB data output on 2-lane CSI-2 Port B.)



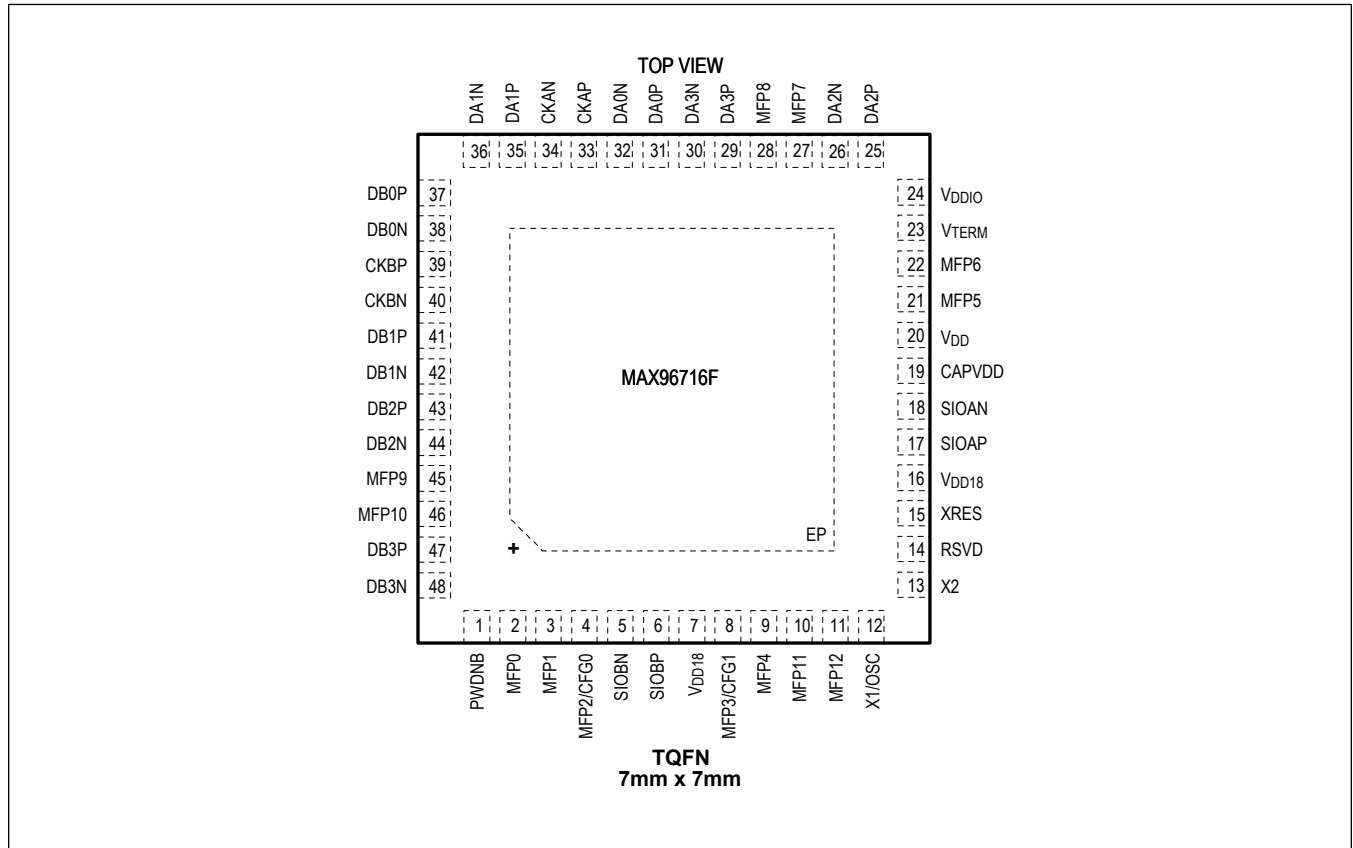
Typical Operating Characteristics (continued)

($V_{TERM} = 1.2V$, $V_{DD18} = 1.8V$, $V_{DDIO} = 1.8V$, $V_{DD} = 1.0V$, $T_A = +25^{\circ}C$ unless otherwise noted. PRBS24 data, 1300Mbps per CSI-2 lane. Single GMSL2 PHY configuration: SIOA or SIOB GMSL2 input enabled, data output on 2-lane Port A or Port B. Dual GMSL2 PHY configuration: SIOA data output on 2-lane CSI-2 Port A, SIOB data output on 2-lane CSI-2 Port B.)



Pin Configuration

MAX96716F



Pin Descriptions

PIN	NAME	FUNCTION MODE	FUNCTION
		GMSL2	
GMSL2 SERIAL LINK (NOTE: LEAVE PINS OPEN IF UNUSED)			
5	SIOBN	SIOBN	Inverted Twisted-Pair Serial Data Input/Output B
6	SIOBP	SIOBP	Noninverted Coax/Twisted Pair Serial Data Input/Output B
17	SIOAP	SIOAP	Noninverted Coax/Twisted-Pair Serial-Data Input/Output A
18	SIOAN	SIOAN	Inverted Twisted-Pair Serial-Data Input/Output A
CSI-2 INTERFACE (*) INDICATES DEFAULT STATE AFTER POWER-UP (NOTE: LEAVE PINS OPEN IF UNUSED)			
25	DA2P	DA2P	CSI-2 Port A Data Lane 2 Noninverted Output (D-PHY 4-Lane Mode).
26	DA2N	DA2N	CSI-2 Port A Data Lane 2 Inverted Output (D-PHY 4-Lane Mode).
29	DA3P	DA3P	CSI-2 Port A Data Lane 3 Noninverted Output (D-PHY 4-Lane Mode).
30	DA3N	DA3N	CSI-2 Port A Data Lane 3 Inverted Output (D-PHY 4-Lane Mode).

MAX96716F

PIN	NAME	FUNCTION MODE	FUNCTION
		GMSL2	
31	DA0P	DA0P* DD0A	DA0P: CSI-2 Port A Data Lane 0 Noninverted Output (D-PHY 4-Lane Mode). DD0A: CSI-2 Port D Data Lane 0 A-Output (C-PHY 2-Lane Mode).
32	DA0N	DA0N* DD0B	DA0N: CSI-2 Port A Data Lane 0 Inverted Output (D-PHY 4-Lane Mode). DD0B: CSI-2 Port D Data Lane 0 B-Output (C-PHY 2-Lane Mode).
33	CKAP	CKAP* DD0C	CKAP: CSI-2 Port A Clock Lane Noninverted Output (D-PHY 4-Lane Mode). DD0C: CSI-2 Port D Data Lane 0 C-Output (C-PHY 2-Lane Mode).
34	CKAN	CKAN* DD1A	CKAN: CSI-2 Port A Clock Lane Inverted Output (D-PHY 4-Lane Mode). DD1A: CSI-2 Port D Data Lane 1 A-Output (C-PHY 2-Lane Mode).
35	DA1P	DA1P* DD1B	DA1P: CSI-2 Port A Data Lane 1 Noninverted Output (D-PHY 4-Lane Mode). DD1B: CSI-2 Port D Data Lane 1 B-Output (C-PHY 2-Lane Mode).
36	DA1N	DA1N* DD1C	DA1N: CSI-2 Port A Data Lane 1 Inverted Output (D-PHY 4-Lane Mode). DD1C: CSI-2 Port D Data Lane 1 C-Output (C-PHY 2-Lane Mode).
37	DB0P	DB0P* DE0A	DB0P: CSI-2 Port B Data Lane 0 Noninverted Output (D-PHY 4-Lane Mode). DE0A: CSI-2 Port E Data Lane 0 A-Output (C-PHY 2-Lane Mode).
38	DB0N	DB0N* DE0B	DB0N: CSI-2 Port B Data Lane 0 Inverted Output (D-PHY 4-Lane Mode). DE0B: CSI-2 Port E Data Lane 0 B-Output (C-PHY 2-Lane Mode).
39	CKBP	CKBP* DE0C	CKBP: CSI-2 Port B Clock Lane Noninverted Output (D-PHY 4-Lane Mode). DE0C: CSI-2 Port E Data Lane 0 C-Output (C-PHY 2-Lane Mode).
40	CKBN	CKBN* DE1A	CKBN: CSI-2 Port B Clock Lane Inverted Output (D-PHY 4-Lane Mode). DE1A: CSI-2 Port E Data Lane 1 A-Output (C-PHY 2-Lane Mode).
41	DB1P	DB1P* DE1B	DB1P: CSI-2 Port B Data Lane 1 Noninverted Output (D-PHY 4-Lane Mode). DE1B: CSI-2 Port E Data Lane 1 B-Output (C-PHY 2-Lane Mode).
42	DB1N	DB1N* DE1C	DB1N: CSI-2 Port B Data Lane 1 Inverted Output (D-PHY 4-Lane Mode). DE1C: CSI-2 Port E Data Lane 1 C-Output (C-PHY 2-Lane Mode).
43	DB2P	DB2P	CSI-2 Port B Data Lane 2 Noninverted Output (D-PHY 4-Lane Mode).
44	DB2N	DB2N	CSI-2 Port B Data Lane 2 Inverted Output (D-PHY 4-Lane Mode).
47	DB3P	DB3P	CSI-2 Port B Data Lane 3 Noninverted Output (D-PHY 4-Lane Mode).
48	DB3N	DB3N	CSI-2 Port B Data Lane 3 Inverted Output (D-PHY 4-Lane Mode).

MAX96716F

PIN	NAME	FUNCTION MODE	FUNCTION
		GMSL2	
MULTIFUNCTION PINS (NOTE: LEAVE PINS OPEN IF UNUSED)			
2	MFP0	GPIO0* SDA1 RX1 SDA2 RX2 SCLK FRSYNC_OUT VS2 DE2/DV2 MS	GPIO0: Configurable General-Purpose Input or Output. Power-up default is GPIO general-purpose input with a 1MΩ pull-down to ground. SDA1: Pass-Through I ² C Data Input/Open-Drain Output with an Internal 40kΩ Pull-Up to V _{DDIO} . RX1: Pass-Through UART Input with an Internal 40kΩ Pull-Up to V _{DDIO} . SDA2: Pass-Through I ² C Data Input/Open-Drain Output with an Internal 40kΩ Pull-Up to V _{DDIO} . RX2: Pass-Through UART Input with an Internal 40kΩ Pull-Up to V _{DDIO} . SCLK: SPI Clock. When configured as a main, push-pull clock output. When configured as a subordinate, clock input with internal 1MΩ pull-down to ground. FRSYNC_OUT: Frame Sync Push-Pull Output. VS2: Video Stream Vertical Sync Monitor Push-Pull Output. DE2/DV2: Video Stream Data Enable or Data Valid Monitor Push-Pull Output. MS: UART Mode Select with Internal 1MΩ Pull-Down to Ground. MS state can also be temporarily overwritten by a register write.
3	MFP1	LOCK* SCL1 TX1 SCL2 TX2 GPIO1	LOCK: Open-Drain Lock Indication Output with an Internal 40kΩ Pull-Up to V _{DDIO} . SCL1: Pass-Through I ² C Clock Input/Open-Drain Output with an Internal 40kΩ Pull-Up to V _{DDIO} . TX1: Pass-Through UART Open-Drain Output with an Internal 40kΩ Pull-Up to V _{DDIO} . SCL2: Pass-Through I ² C Clock Input/Open-Drain Output with an Internal 40kΩ Pull-Up to V _{DDIO} . TX2: Pass-Through UART Open-Drain Output with an Internal 40kΩ Pull-Up to V _{DDIO} . GPIO1: General-Purpose Input or Output.
4	MFP2/CFG0	GPO2* SS1 BNE CFG0	CFG0: Configuration Pin. Voltage at pin sets device mode, which is latched at power-up. Connect to a resistor divider between V _{DDIO} and EP. See Table 12 . GPO2*: General-purpose output. Power-up default is high impedance. SS1: SPI Subordinate Select. When configured as the main, Subordinate 1 Select push-pull output. BNE: When Configured as SPI Subordinate, SPI Buffer Not Empty Push-Pull Output. When BNE is high, SPI data is available.
8	MFP3/CFG1	GPO3* CFG1 VS1 DE1/DV1 SS2	GPO3: General-Purpose Push-Pull Output. Power-up default is high impedance. CFG1: Configuration Pin. Voltage at pin sets device mode, which is latched at power-up. Connect to a resistor divider between V _{DDIO} and EP. See Table 13 . VS1: Video Stream Vertical Sync Monitor Push-Pull Output. DE1/DV1: Video Stream Data Enable or Data Valid Monitor Push-Pull Output. SS2: SPI Subordinate Select. When configured as the main, Subordinate 2 Select push-pull output.

MAX96716F

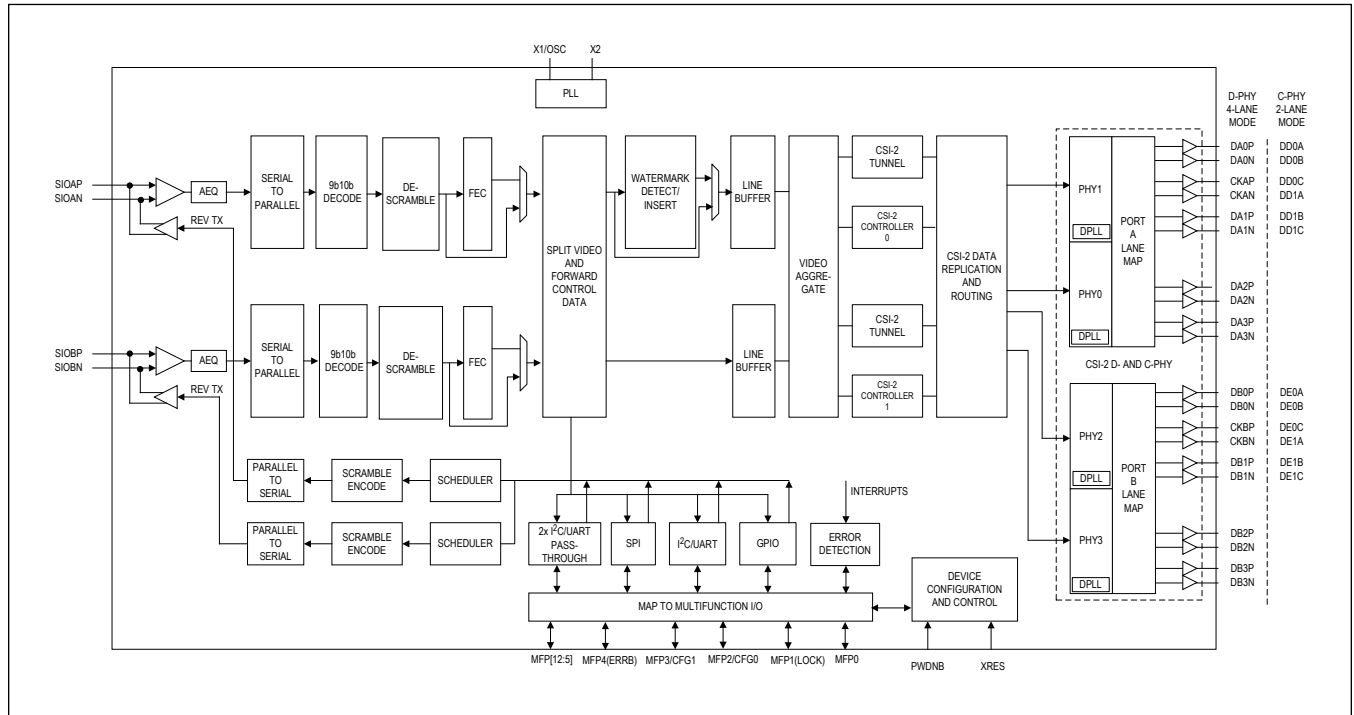
PIN	NAME	FUNCTION MODE	FUNCTION
		GMSL2	
9	MFP4	ERRB* GPIO4 RO(Alt)	ERRB: Open-Drain Error Indication Output with an Internal 40kΩ Pull-Up to V _{DDIO} . When ERRB is low, a data error, line fault, or interrupt is detected. ERRB is high when PWDNB is low. GPIO4: General-Purpose Input or Output. RO(Alt): When Configured as a Subordinate, SPI Mode-Select Input with an Internal 1MΩ Pull-Down to Ground. When RO is high, enables a main read from MISO. When RO is low, enables a main write to MOSI.
21	MFP5	RX1* RX2 SDA1 GPIO5 SDA2 MOSI LOCK(Alt)	RX1: Pass-Through UART Input with an Internal 40kΩ Pull-Up to V _{DDIO} (Default 1Mbps Rate). RX2: Pass-Through UART Input with an Internal 40kΩ Pull-Up to V _{DDIO} . SDA1: Pass-Through I ² C Data Input/Open-Drain Output with an Internal 40kΩ Pull-Up to V _{DDIO} . GPIO5: Configurable General-Purpose Input or Output. Power-up default with a receiver enabled and open-drain driver high with an internal 40kΩ pull-up to V _{DDIO} . SDA2: Pass-Through I ² C Data Input/Open-Drain Output with an Internal 40kΩ Pull-Up to V _{DDIO} . MOSI: SPI Main Out Subordinate In. When configured as main, the push-pull output drives data to the external subordinate. When configured as a subordinate input with an internal 1MΩ pull-down to ground that receives data from external main. LOCK(Alt): Alternate Lock Indicator. Open-drain lock indication output with an internal 40kΩ pull-up to V _{DDIO} .
22	MFP6	TX1* TX2 SCL2 SCL1 GPIO6 MISO	TX1: Pass-Through UART Output with an Internal 40kΩ Pull-Up to V _{DDIO} (Default 1Mbps Rate). TX2: Pass-Through UART Output with an Internal 40kΩ Pull-Up to V _{DDIO} . SCL2: Pass-Through I ² C Clock Input/Open-Drain Output with an Internal Pull-Up to V _{DDIO} . SCL1: Pass-Through I ² C Clock Input/Open-Drain Output with an Internal Pull-Up to V _{DDIO} . GPIO6: Configurable General-Purpose Input or Output. Power-up default with a receiver enabled and open-drain driver high with an internal 40kΩ pull-up to V _{DDIO} . MISO: SPI Main In Subordinate Out. When configured as a main, input with an internal 1MΩ pull-down to ground that receives data from the external subordinate. When configured as a subordinate, push-pull output that drives data to an external main.
27	MFP7	GPI7* LMN0 RO	GPI7: General-Purpose Input with a 1MΩ Pull-Down to Ground. LMN0: Line Fault Monitor Input. RO: When Configured as a Subordinate, SPI Mode-Select Input with an Internal 1MΩ Pull-Down to Ground. When RO is high, enables a main read from MISO. When RO is low, enables a main write to MOSI.
28	MFP8	GPI8* LMN1	GPI8: General-Purpose Input with a 1MΩ Pull-Down to Ground. LMN1: Line Fault Monitor Input.
45	MFP9	GPI9* LMN2	GPI9: General-Purpose Input with a 1MΩ Pull-Down to Ground. LMN2: Line Fault Monitor Input.
46	MFP10	GPI10* LMN3	GPI10: General-Purpose Input with a 1MΩ Pull-Down to Ground. LMN3: Line Fault Monitor Input.

MAX96716F

PIN	NAME	FUNCTION MODE	FUNCTION
		GMSL2	
10	MFP11	SDA RX* GPI11_ODO11	RX: UART Input with Internal 40kΩ Pull-Up to V _{DDIO} (SDA or RX Selected by CFG0 at Power-Up). SDA: I ² C Data Input/Open-Drain Output with an Internal 40kΩ Pull-Up to V _{DDIO} (SDA or RX Selected by CFG0 at Power-Up). GPI11_ODO11: General-Purpose Input and/or Open-Drain Output with an Internal 40kΩ Pull-Up to V _{DDIO} .
11	MFP12	SCL TX* GPI12_ODO12	TX: UART Open-Drain Output with an Internal 40kΩ Pull-Up to V _{DDIO} (SCL or TX Selected by CFG0 at Power-Up). SCL: I ² C Clock Input/Open-Drain Output with an Internal 40kΩ Pull-Up to V _{DDIO} (SCL or TX Selected by CFG0 at Power-Up). GPI12_ODO12: General-Purpose Input and/or Open-Drain Output with an Internal 40kΩ Pull-Up to V _{DDIO} .
MISCELLANEOUS - SEE EXTERNAL COMPONENTS REQUIREMENTS TABLE			
1	PWDNB	PWDNB	PWDNB: Active-Low, Power-Down Input with an Internal 1MΩ Pull-Down to Ground. Set PWDNB Low to Enter Power-Down Mode.
12	X1/OSC	X1/OSC	Crystal/Oscillator Input. If a crystal is used, connect to one terminal of a 25MHz ±200ppm crystal and connect a load capacitor from X1/OSC to EP (load capacitor value depends on crystal used). If an oscillator is used, supply a 25MHz ±200ppm signal.
13	X2	X2	Crystal Input. Connect to one terminal of a 25MHz ±200ppm crystal and connect a load capacitor from X2 to EP (load capacitor value depends on crystal used). Leave open if an oscillator is used.
15	XRES	XRES	Used to Calibrate SIO Output Driver Swings. Connect a 402Ω ±1% resistor between XRES and EP.
19	CAP_VDD	CAP_VDD	Decoupling Capacitor for 1V Core Supply.
14	RSVD	RSVD	Reserved. Do not connect.
POWER SUPPLIES - SEE EXTERNAL COMPONENT REQUIREMENTS TABLE			
16	V _{DD18}	V _{DD18}	1.8V Analog Supply.
7	V _{DD18}	V _{DD18}	1.8V Analog Supply.
20	V _{DD}	V _{DD}	1.0V Core Supply. This pin includes an optional on-chip LDO. Connect a 0.95V to 1.05V supply to bypass LDO. Connect a 1.14V to 1.26V supply to use the internal 1.0V regulator. To use the internal 1V regulator, first write REG_ENABLE=1, and then write REG_MNL=1. Place decoupling capacitor connected to PCB ground plane as close to pin as possible.
24	V _{DDIO}	V _{DDIO}	1.8V to 3.3V I/O Supply.
23	V _{TERM}	V _{TERM}	1.14V to 1.26V MIPI supply. Bypass V _{TERM} to EP with a 0.1μF capacitor placed as close as possible to the device.
EP	EP	EP	Exposed Pad. EP is internally connected to device ground. EP MUST be connected to the PCB ground plane through an array of vias for proper thermal and electrical performance.

Functional Block Diagram

Block Diagram



Configuration Pin Connections

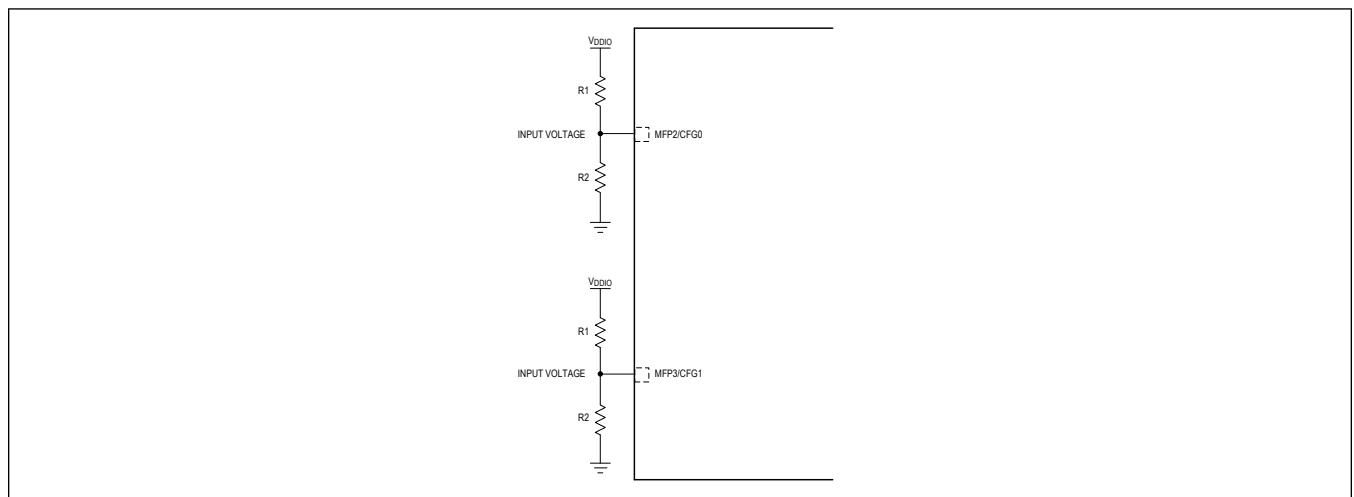


Figure 1. Configuration Pin Connection

Detailed Description

Additional Documentation

This data sheet contains electrical specifications, pin and functional descriptions, feature overviews, and register definitions. The following information is needed to correctly design with this device:

- The **GMSL2 Channel Specification** contains physical layer requirements for the PCB traces, cables, and connectors that constitute the GMSL2 link.
- The **GMSL2 Hardware Design Guide** contains recommendations for PCB design, applications circuits, selection of external components, and guidelines for use of GMSL2 signal integrity tools.
- The **GMSL2 User Guide** contains detailed programming guidelines for GMSL2 device features.
- **Errata sheets** contain deviations from published device specifications, and are specific to part number and revision ID.

Contact the factory for these documents and additional guidance on MAX96716F features.

Recommended Operating Conditions

Table 2. Recommended Operating Conditions

PARAMETER	PIN NAME	NOMINAL VOLTAGE	MIN	TYP	MAX	UNIT
Supply Voltage Range	V _{TERM}		1.14	1.2	1.26	V
	V _{DD18}		1.7	1.8	1.9	
	V _{DD}	1.0V	0.95	1.0	1.05	
		1.2V	1.14	1.2	1.26	
	V _{DDIO}	1.8V	1.7	1.8	1.9	
3.3V		3.0	3.3	3.6		
Maximum Supply Noise (Note a)	V _{TERM}			50		mV _{P-P}
	V _{DD18}			25		
	V _{DD}	1.0V		50		
		1.2V		50		
	V _{DDIO}	1.8V		50		
3.3V			100			
Operating Junction Temperature, T _J			-40		+125	°C

Note a: Supply noise < 1MHz. Assume supply voltage ripple to be symmetric around the measured DC supply voltage. For example, 25mV_{P-P} means ±12.5mV peak voltage.

External Component Requirements

Table 3. External Component Requirements

COMPONENT	SYMBOL	CONDITION	VALUE	UNIT
XRES	R _{XRES}	Connect R _{XRES} resistor between XRES pin and ground.	402 ±1%. Use a single resistor	Ω
Line-Fault Pull-Down Resistor	R _{PD}	Connect to ground at far end of Coax/STP cable; only required if line-fault detection is used.	49.9 ±1%	kΩ

Table 3. External Component Requirements (continued)

COMPONENT	SYMBOL	CONDITION	VALUE	UNIT
Line-Fault Series Resistor - Coax Mode	R _{EXT1}	LMN0, LMN1, LMN2, or LMN3	48.7 ±1%	kΩ
	R _{EXT2}		DNI	
Line-Fault Series Resistor - STP Mode	R _{EXT1}	See the Line-Fault section in Detailed Descriptions for STP mode.	48.7 ±1%	kΩ
	R _{EXT2}	See the Line-Fault section in Detailed Descriptions for STP mode.	42.2 ±1%	
Link Isolation Capacitors	C _{LINK}	Place close to the SIO_ pins (5, 6, 17, 18) used in the application.	0.1	μF
Coax Mode Termination Resistor	R _{TERM}	In Coax mode, connect R _{TERM} between unused SIO pin and ground on each coax link.	49.9 ±1%	Ω
Crystal		Place as close as possible to pins 12 and 13.	25MHz ±200ppm	
Crystal Load Capacitors		Use crystal loading capacitor guidance from the crystal manufacturer. Select values that compensate for the X1 and X2 input, and PCB node capacitances. Place the capacitors as close as possible to pin 12 (X1/OSC) and pin 13 (X2).		
V _{DDIO} Decoupling Capacitor*		Place a 0.01μF capacitor as close as possible to pin 24. Include a minimum of 10μF bulk decoupling on the PCB.	0.01 + 10	μF
V _{DD18} Decoupling Capacitors*		Place a 0.01μF capacitor as close as possible to pins 7 and 16. Connect both V _{DD18} pins together and include a minimum of 10μF bulk decoupling on the PCB.	(2x) 0.01 + 10	μF
V _{TERM} Decoupling Capacitor*		Place a 0.01μF capacitor as close as possible to pin 23. Include a minimum of 10μF bulk decoupling on the PCB.	0.01 + 10	μF
V _{DD} Decoupling Capacitor*		Place a 0.1μF capacitor as close as possible to pin 20. Include a minimum of 10μF bulk decoupling on the PCB.	0.1 + 10	μF
CAP_VDD Decoupling Capacitor		Place a 0.1μF capacitor as close as possible to pin 19. Include a minimum of 10μF bulk decoupling near the pin.	0.1 + 10	μF
Open-Drain Pull-Up Resistors		Application-specific. Quantity and values depend on multifunction GPIO pin configurations.		
Resistors for Configuration Pin Resistor-Divider	R1, R2	Place resistor-divider close to pin 4 (MFP2/CFG0).	See Table 12 .	Ω
	R1, R2	Place resistor-divider close to pin 8 (MFP3/CFG1).	See Table 13 .	Ω

* With exception of CAP_VDD, power supply decoupling capacitor values are recommendations only. The board designer determines the necessary decoupling for the specific application.

ESD Protection

Table 4. ESD Protection

PARAMETER	SYMBOL	CONDITIONS	MIN	TYP	MAX	UNIT
SIO__	V _{ESD}	Human Body Model (HBM), R _D = 1.5kΩ, C _S = 100pF	±8		kV	
		ISO10605, R _D = 330Ω, C _S = 150pF, Contact Discharge	±6			
		ISO10605, R _D = 330Ω, C _S = 150pF, Air Discharge	±6			
		AEC-Q100-011 Rev-C1, Charged Device Model (CDM)	750		V	
All Other Pins	V _{ESD}	Human Body Model (HBM), R _D = 1.5kΩ, C _S = 100pF	±4		kV	
		AEC-Q100-011 Rev-C1, Charged Device Model (CDM)	750		V	

Figures

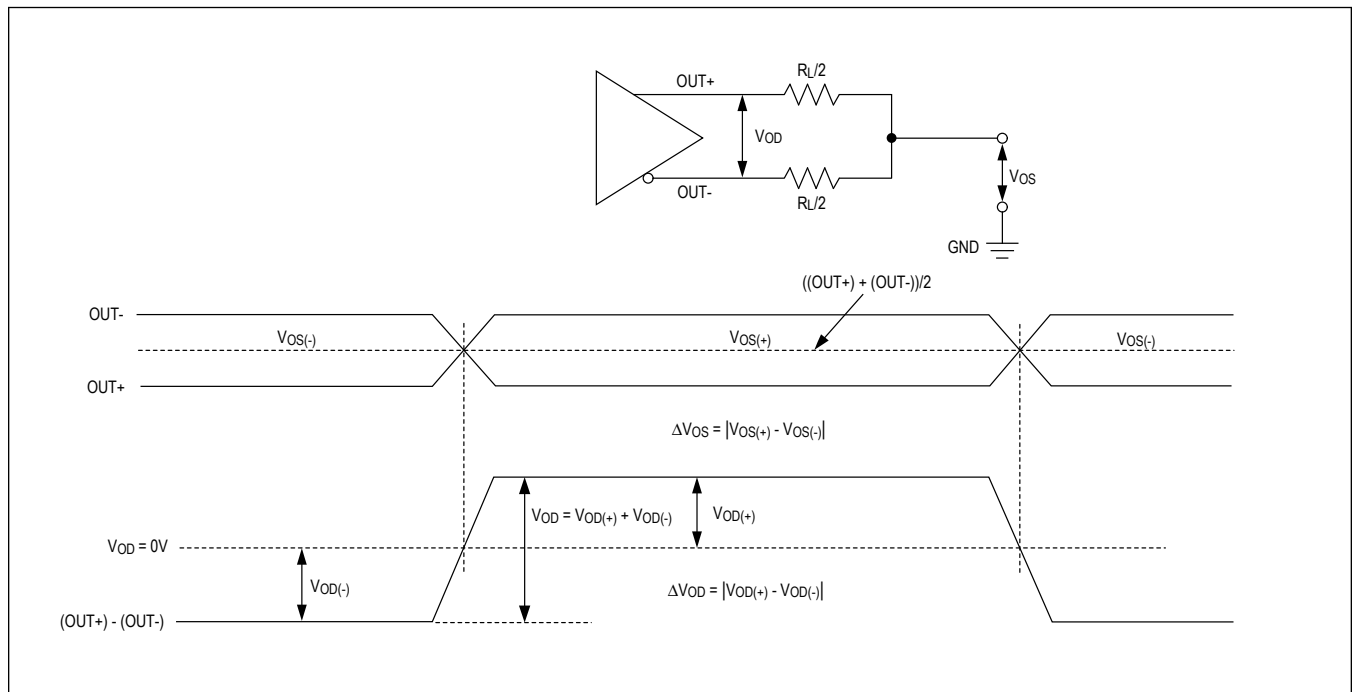


Figure 2. GMSL2 Reverse-Channel Serial Outputs

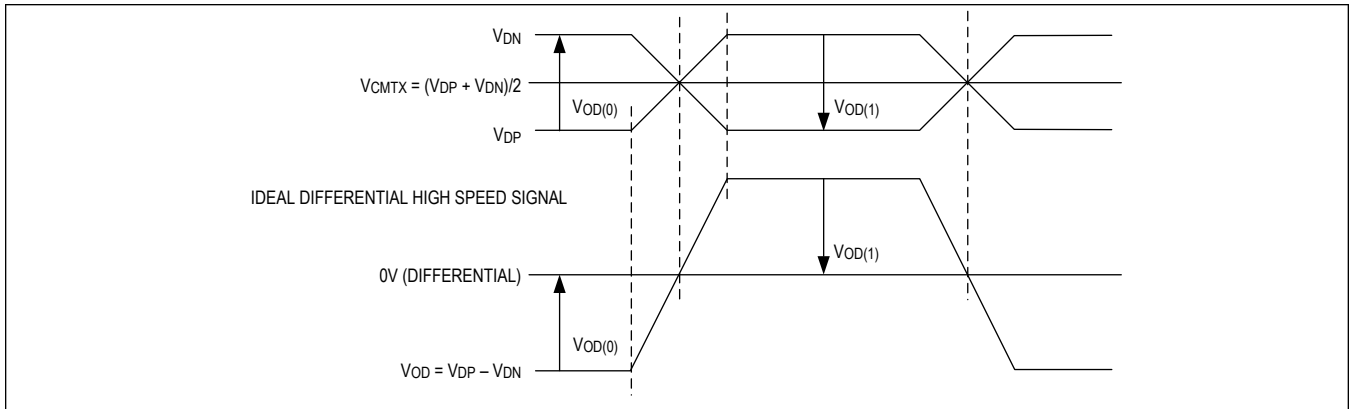


Figure 3. Ideal Single-Ended and Resulting Differential HS Signals

Copyright © 2007-2016 MIPI Alliance, Inc. All rights reserved.

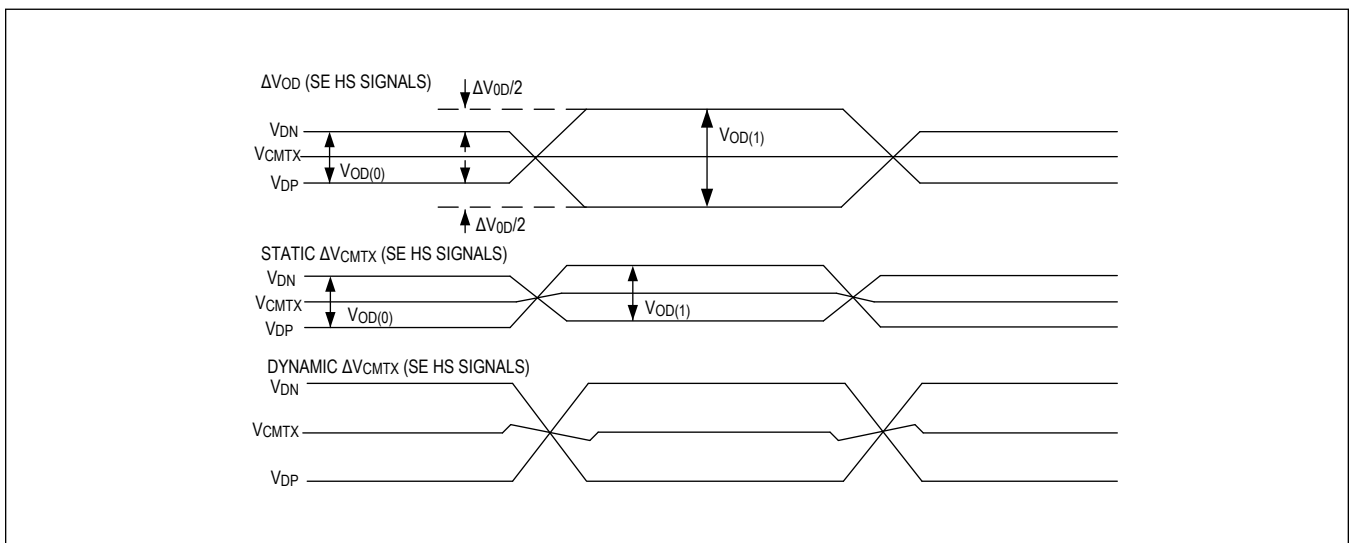


Figure 4. Possible Delta V_{CMTX} and Delta V_{OD} Distortions of Single-Ended HS Signals

Copyright © 2007-2016 MIPI Alliance, Inc. All rights reserved.

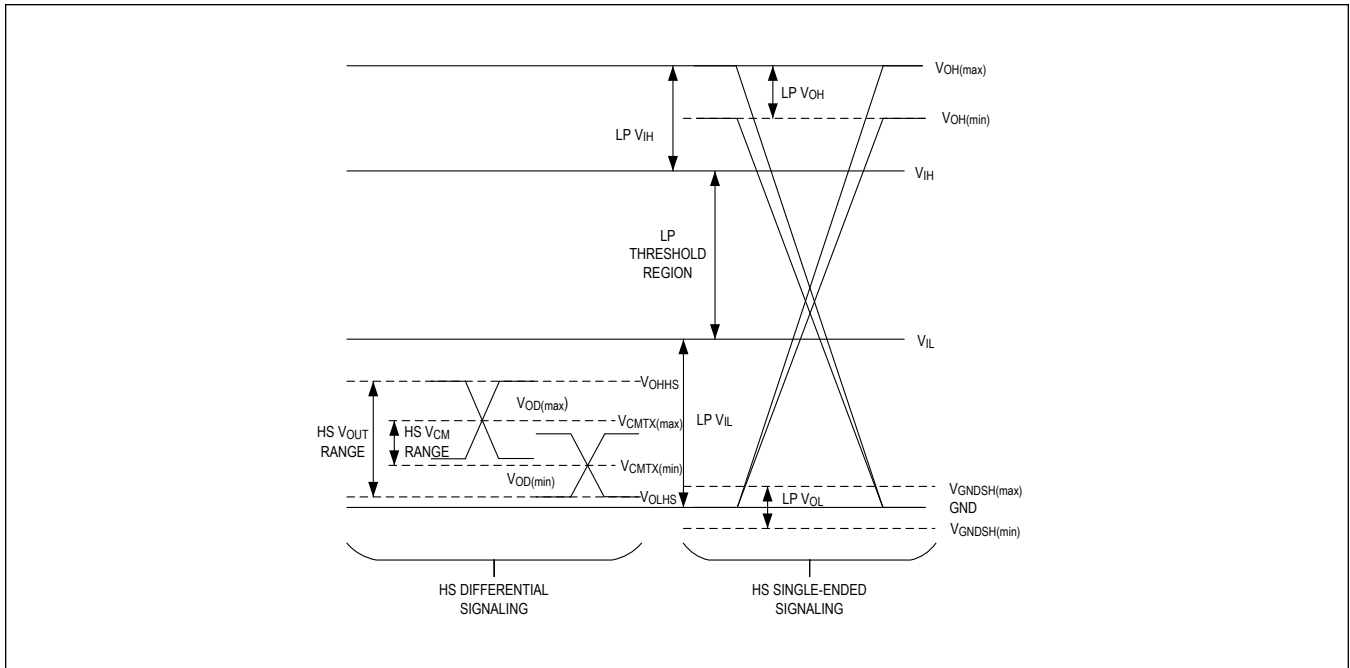


Figure 5. D-PHY Signaling Levels

Copyright © 2007-2016 MIPI Alliance, Inc. All rights reserved.

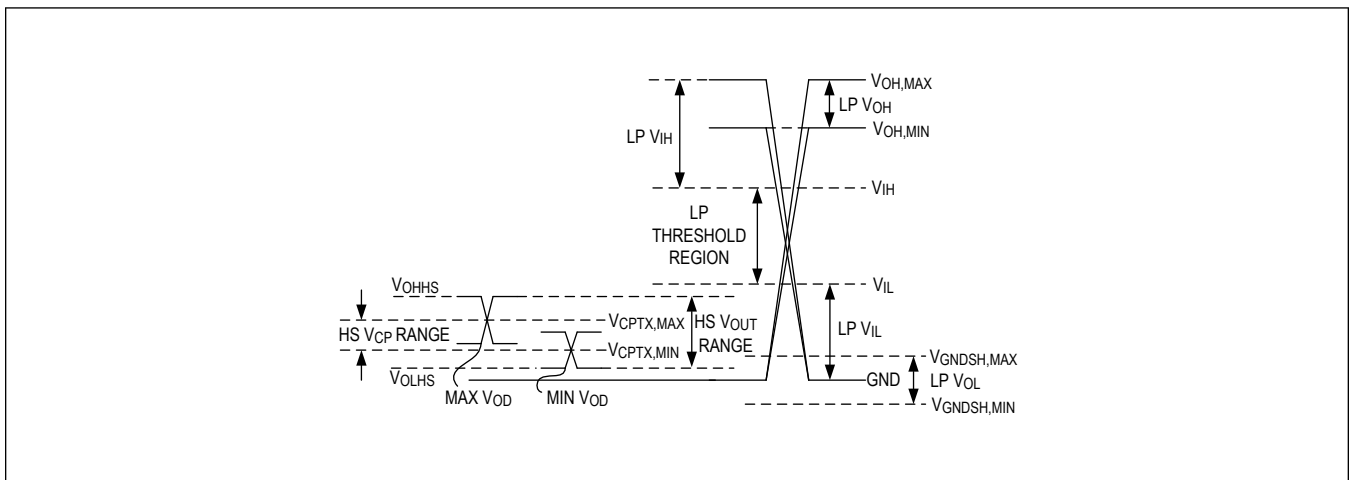


Figure 6. C-PHY DC Characteristics

Copyright © 2013-2014 MIPI Alliance, Inc. All rights reserved.

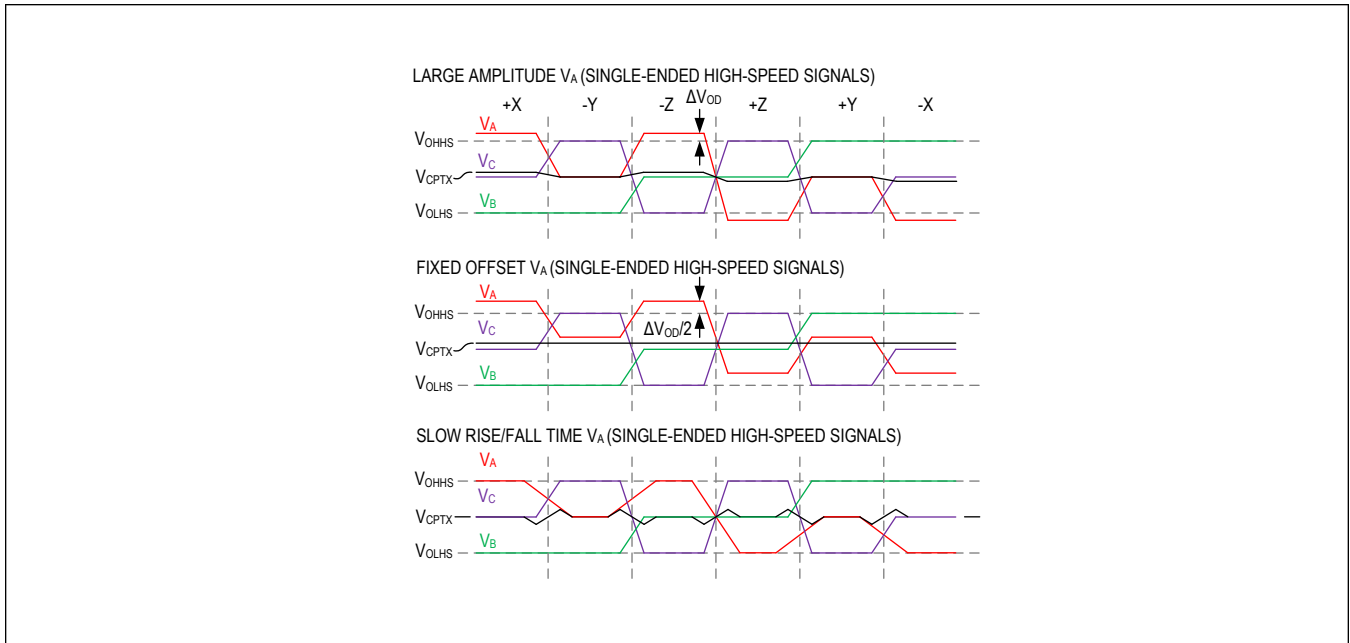


Figure 7. C-PHY Possible ΔV_{CPTX} and ΔV_{OD} Distortions of Single-Ended HS Signals

Copyright © 2013-2014 MIPI Alliance, Inc. All rights reserved.

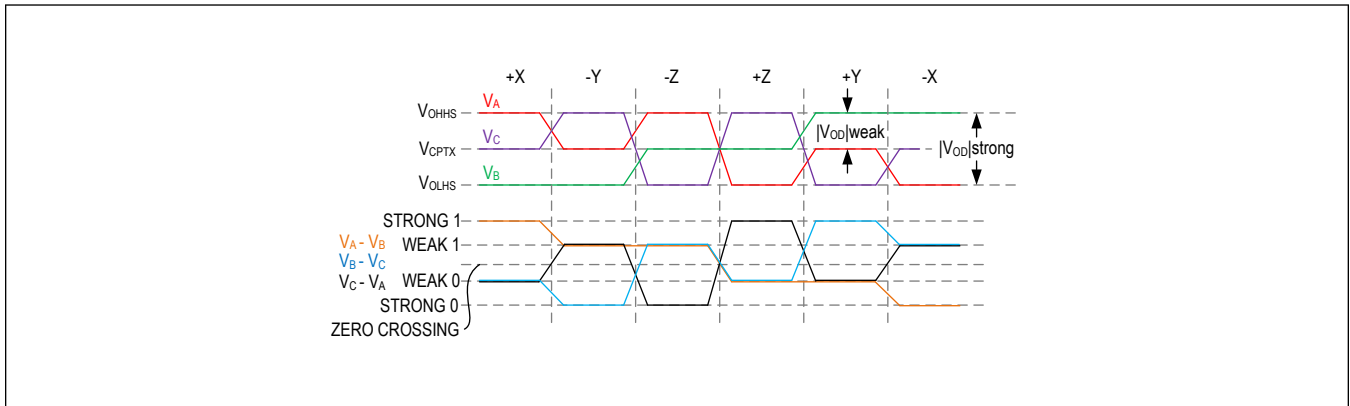


Figure 8. C-PHY Ideal Single-Ended and Resulting Differential High-Speed Signals

Copyright © 2013-2014 MIPI Alliance, Inc. All rights reserved.

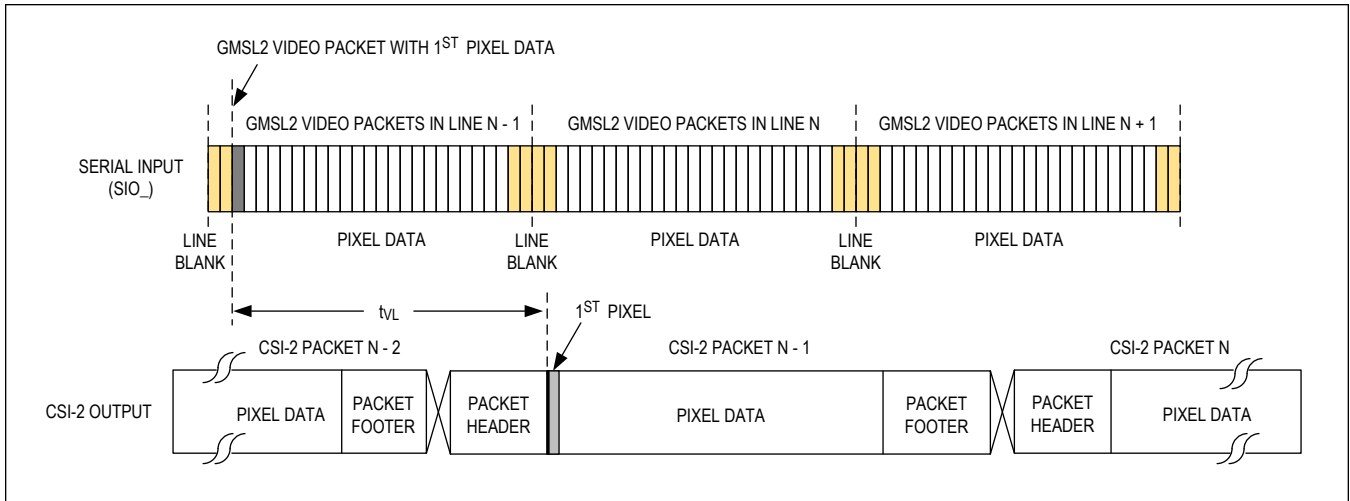


Figure 9. GMSL2 Video Latency

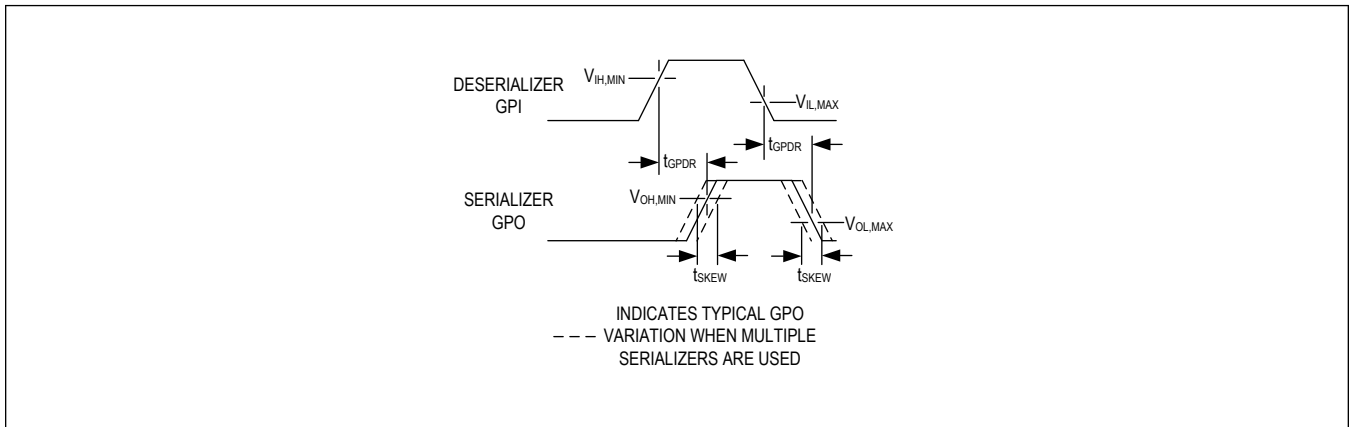


Figure 10. GPI-to-GPO Delay and Skew

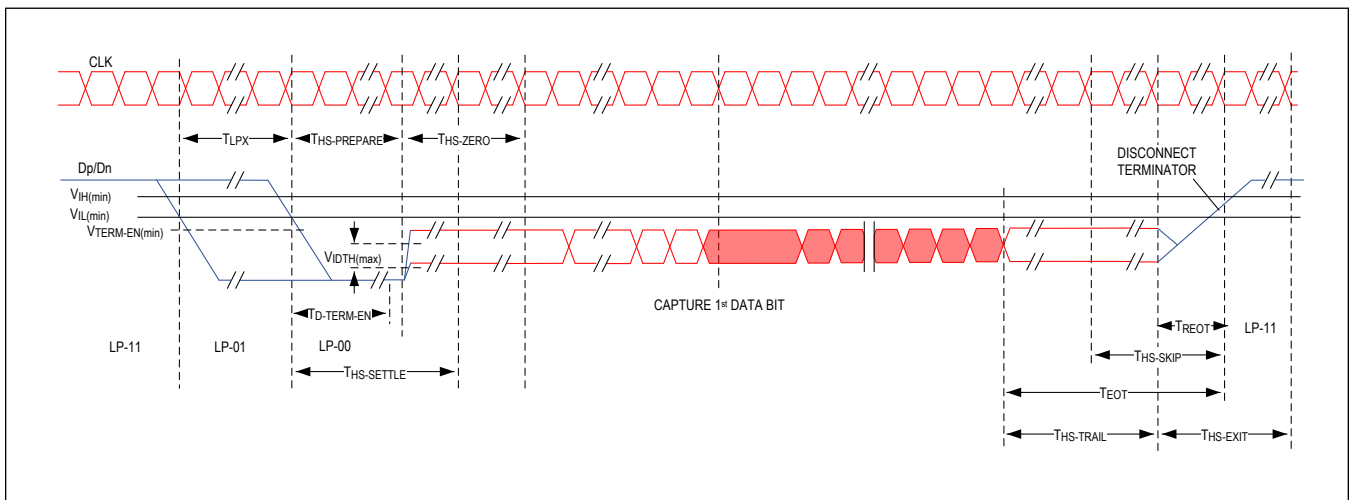


Figure 11. D-PHY High-Speed Data Transmission in Bursts. Reference: MIPI Specification for D-PHY v. 1.2, 01-Aug 2014

Copyright © 2007-2016 MIPI Alliance, Inc. All rights reserved.

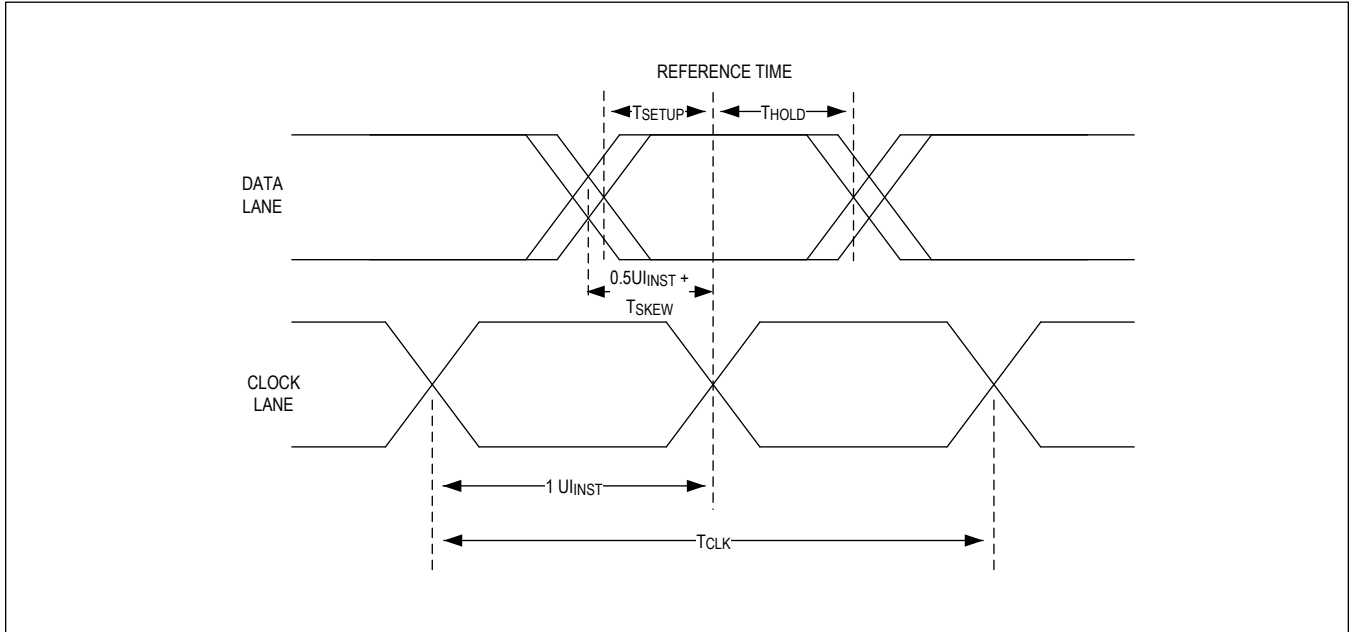


Figure 12. D-PHY Data Clock Timing

Copyright © 2007-2016 MIPI Alliance, Inc. All rights reserved.

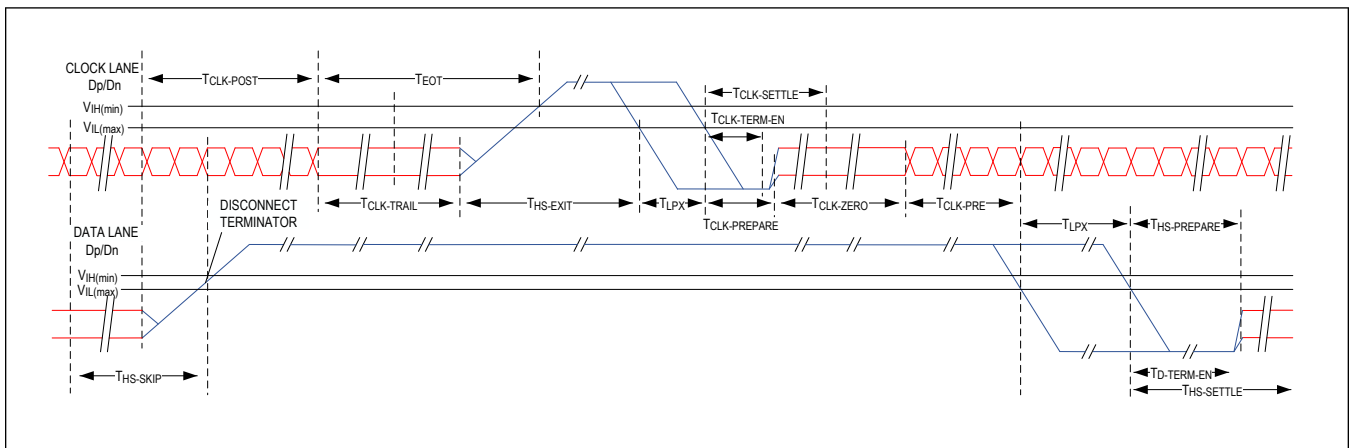


Figure 13. Switching the Clock Lane between Clock Transmission and Low-Power Mode

Copyright © 2007-2016 MIPI Alliance, Inc. All rights reserved.

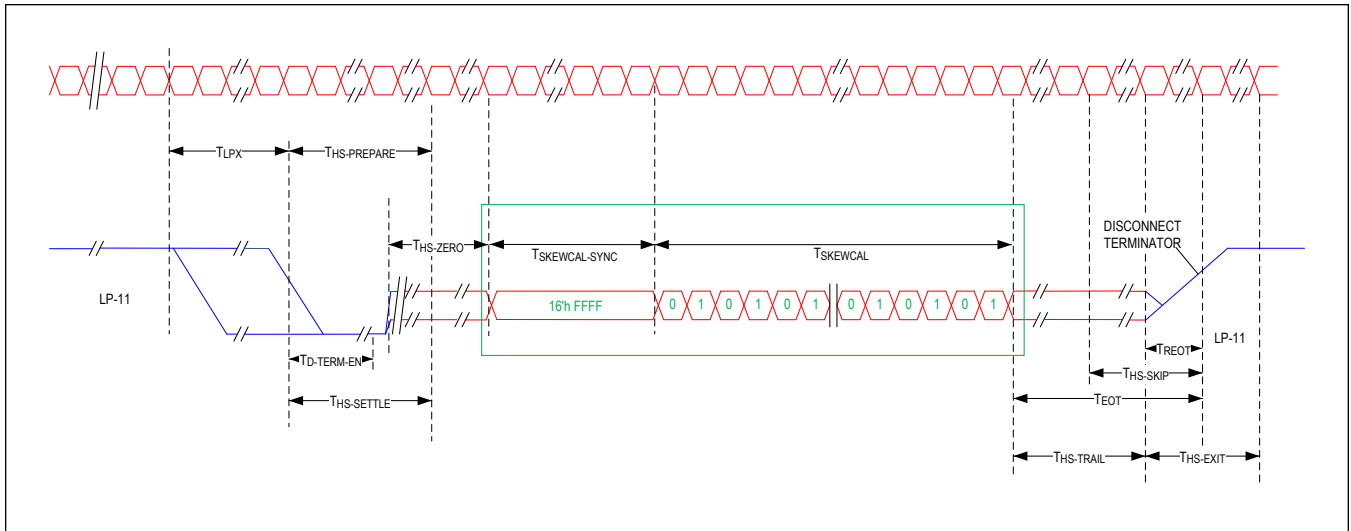


Figure 14. D-PHY High-Speed Skew Calibration. Reference: MIPI Specification for D-PHY v. 1.2, 01-Aug 2014

Copyright © 2007-2016 MIPI Alliance, Inc. All rights reserved.

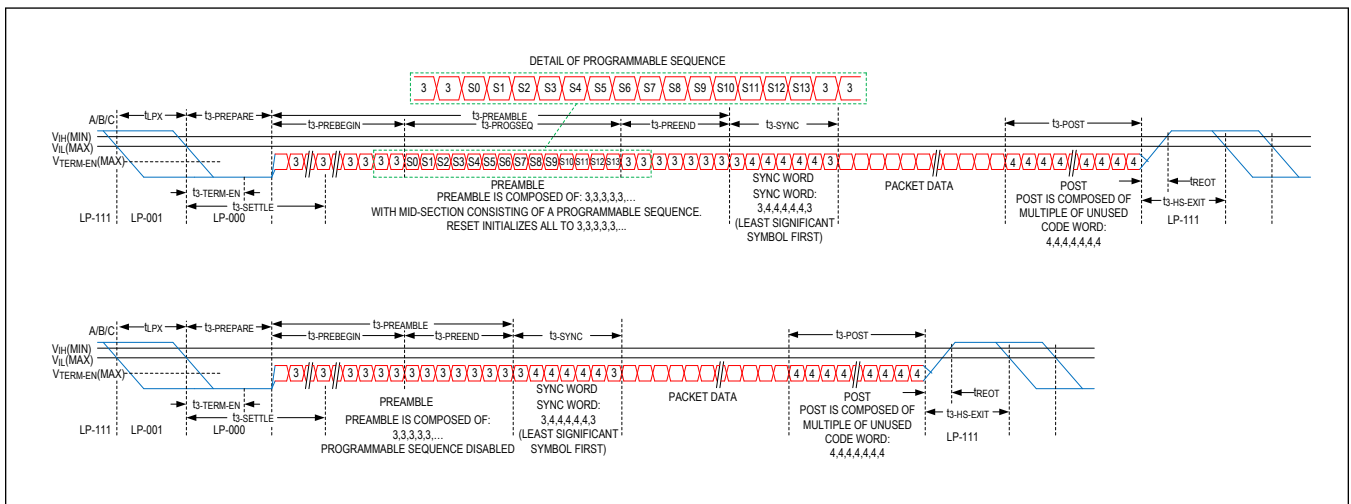


Figure 15. C-PHY HS Burst Data Transmission. Reference: MIPI Specification for C-PHY v. 1.0, 05-Aug 2014

Copyright © 2013-2014 MIPI Alliance, Inc. All rights reserved.

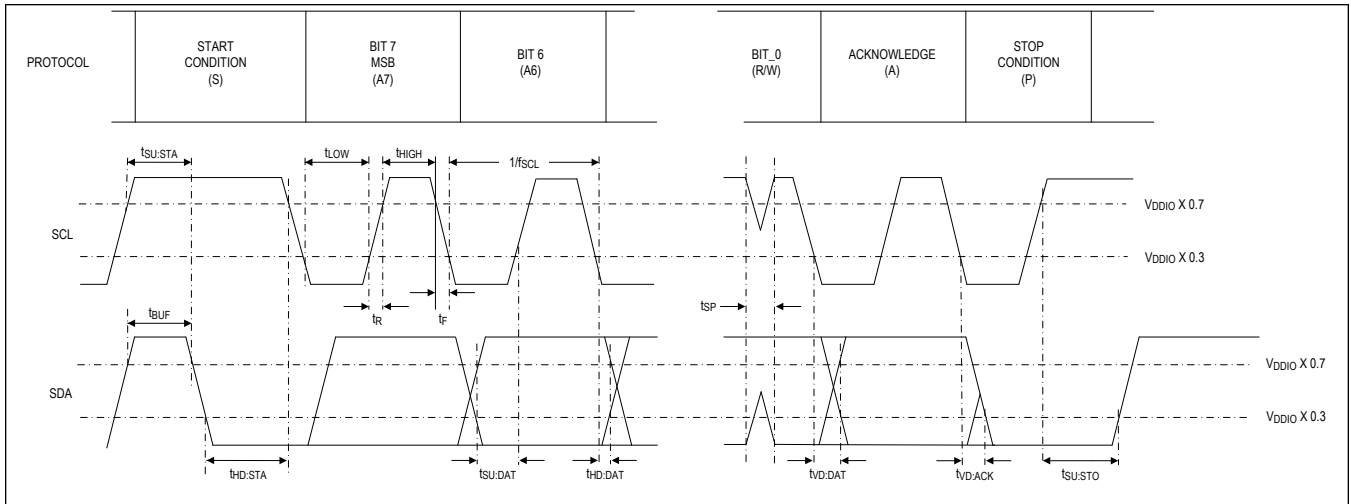


Figure 16. I²C Timing Parameters

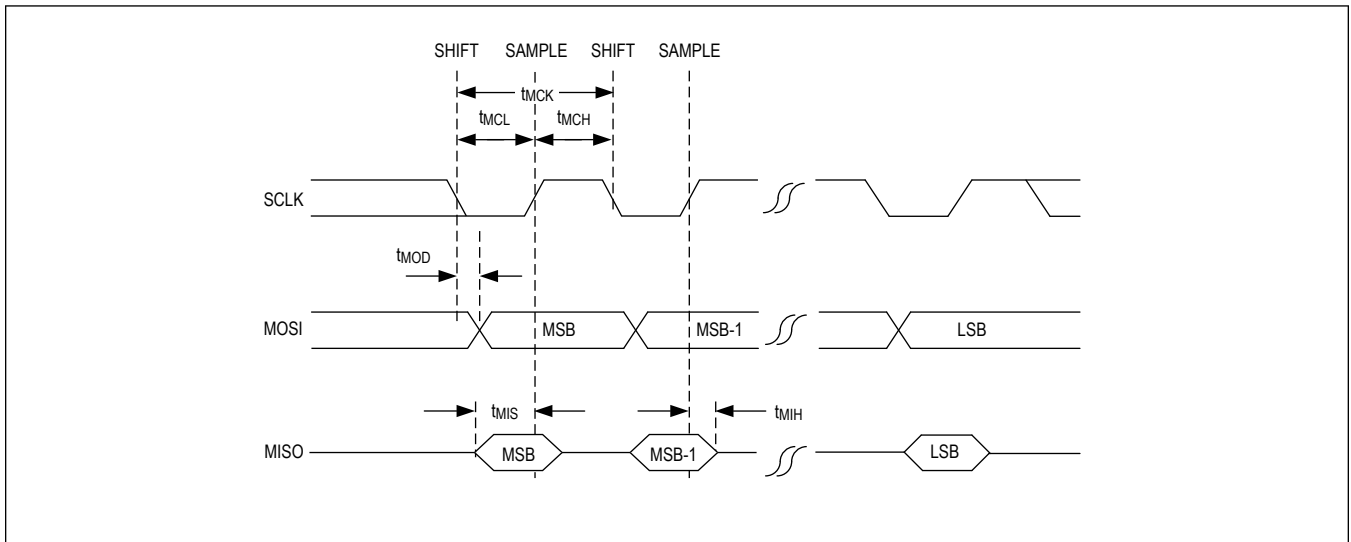


Figure 17. SPI Main-Mode Timing Parameters

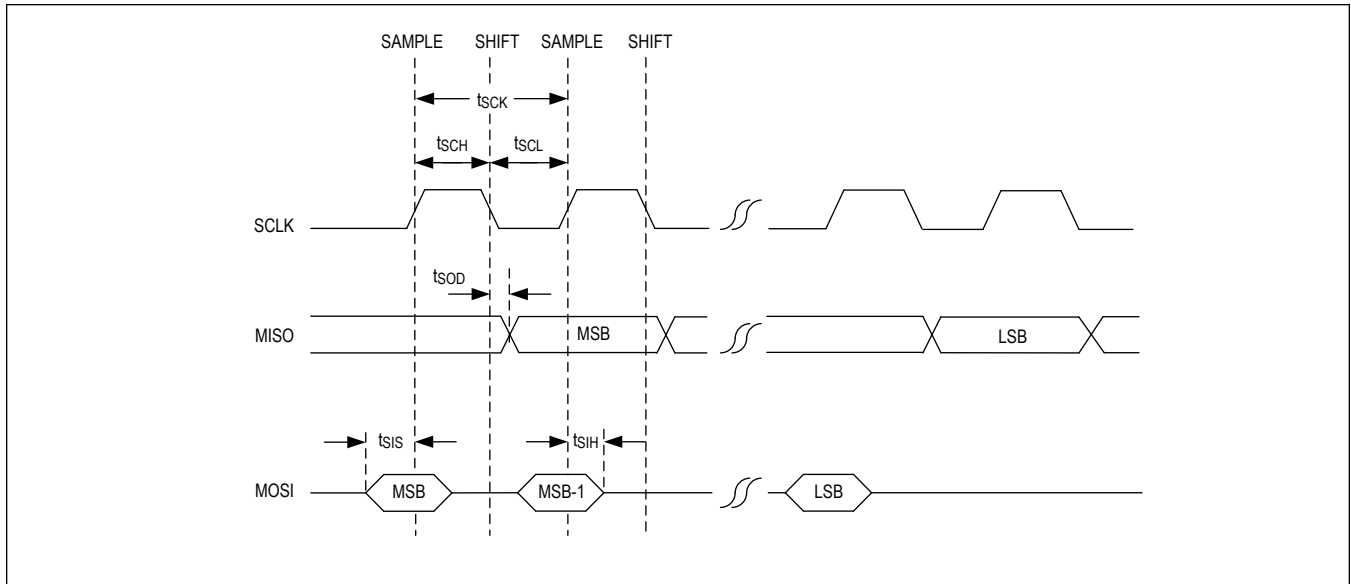


Figure 18. SPI Subordinate-Mode Timing Parameters

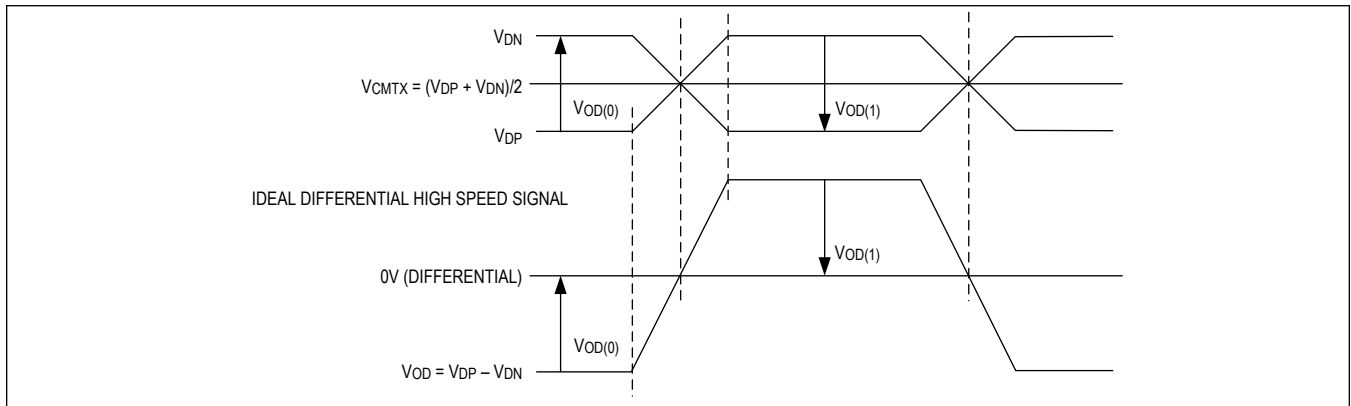


Figure 19. Ideal Single-Ended and Resulting Differential HS Signals

Copyright © 2007-2016 MIPI Alliance, Inc. All rights reserved.

Introduction

Analog Devices' GMSL2 serializers and deserializers provide sophisticated link management for high-speed, low bit error rate, bidirectional serial data transport. They support a comprehensive suite of sensor and communication interfaces over a single wire. The MAX96716F deserializer supports two modes of operation to transmit MIPI CSI-2 data over the line. Pixel mode offers flexible video data transfer, while Tunneling mode provides bandwidth-efficient CSI-2 video data transfer with end-to-end data integrity.

The MAX96716F supports 3Gbps forward and 187.5Mbps reverse packetized-data transmission over each fixed-speed link. The MAX96716F's inputs can be aggregated such that incoming data from two remotely located sensors is combined and routed to any available combination of CSI-2 outputs. Once aggregated, the data can also be replicated to drive two SoCs.

The following sections provide a brief overview of the device functions and features. Contact the factory for additional information and details on configuration of each function and feature.

Product Overview

The MAX96716F GMSL2 dual-channel deserializer converts data on single or dual GMSL2 serial inputs to CSI-2 packets on one or two CSI-2 output ports. It also sends and receives side-channel data, enabling full-duplex transmission of forward-path sensor data and bidirectional data over low-cost 50Ω Coax or 100Ω STP cables that meet the GMSL2 channel specification.

The MAX96716F has a dual four-lane D-PHY v1.2, which supports a data rate of 80Mbps to 2.5Gbps or a dual two-lane C-PHY CSI-2 v1.3 input port, which supports a data rate of 182Mbps to 4.56Gbps per lane. The number of active D-PHY v1.2 data lanes is programmable as one, two, three, or four lanes. The C-PHY interface is programmable as one or two lanes. It supports data types including RAW8/10/12/14/16/20, RGB555/666/888/YUV422 8/10-bit, user-defined, and generic long-packet data types. It also supports up to 16 virtual channels.

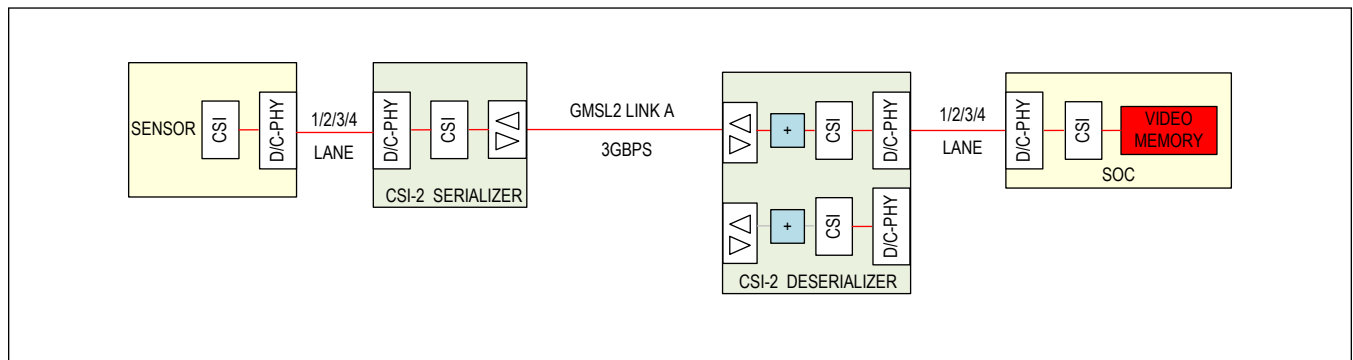


Figure 20. Single Link

A basic use-case is a single sensor with a MIPI D-PHY output, as shown in [Figure 20](#) with the sensor's output sent to an SoC in GMSL2 mode at a data rate of 3Gbps. Two GMSL2 serializers can be used with one MAX96716F deserializer to connect two sensors to one or two SoCs. See [Figure 21](#). The cable types, sensor timing, and data rates do not have to be the same, but the links must be set to the same forward rate (3Gbps for the MAX96716F). Data from Link A and Link B are output on separate, dedicated CSI-2 ports for capture by the SoC. Dedicated ports allow an SoC with slower D-PHY lanes to capture data from two sources.

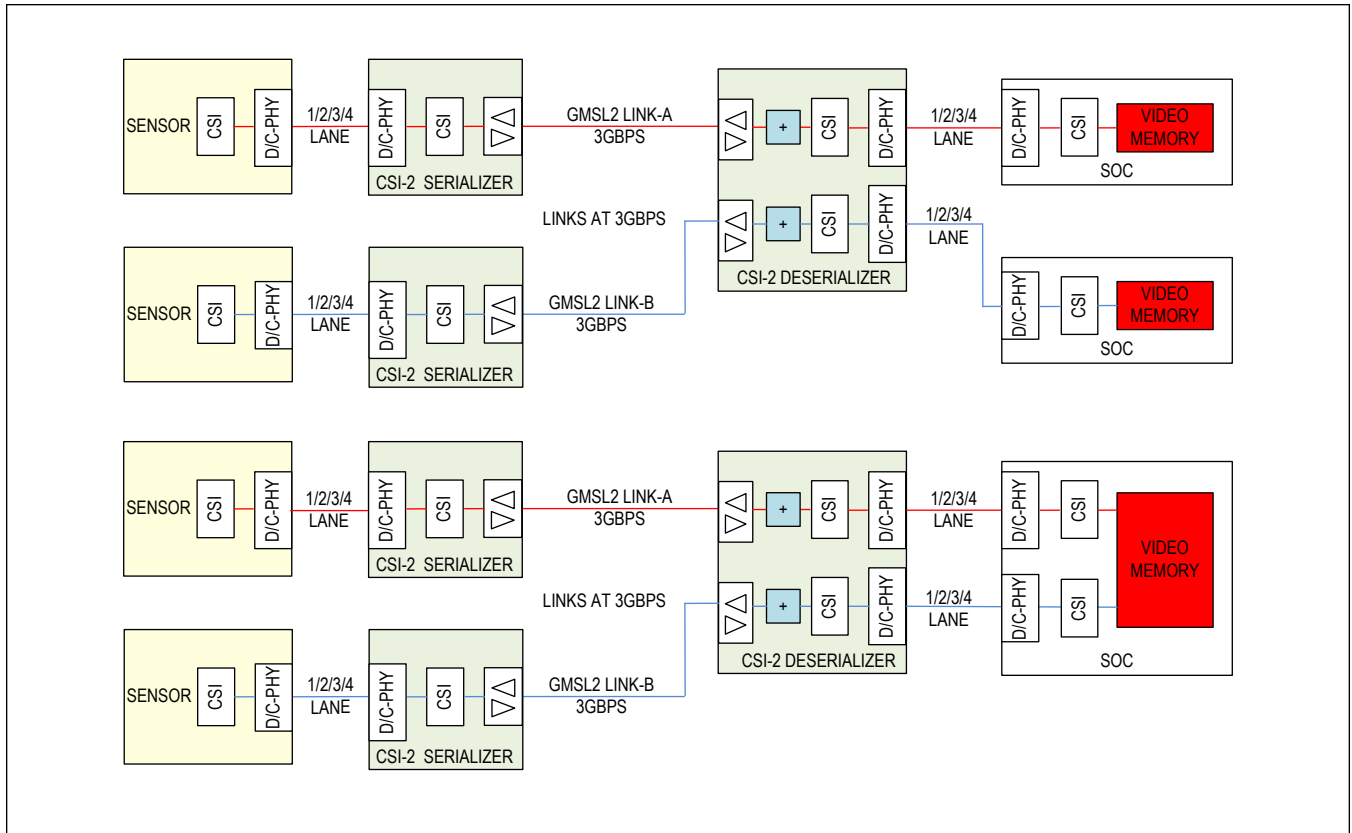


Figure 21. Dual Link, Separate Data Type

The MAX96716F supports data aggregation, as detailed in [Figure 22](#). The sources can have different video timing and resolution, and the serial links can be set to a forward rate of 3Gbps. The SoC identifies the video source by reading the packet's virtual channel or data type. If both sources use the same virtual channel or data type, the serializer can assign a different virtual channel and/or data type (16 of each are available). The aggregated data can be replicated and output on both MIPI ports, allowing multiple SoCs to process the same data, as shown in [Figure 23](#).

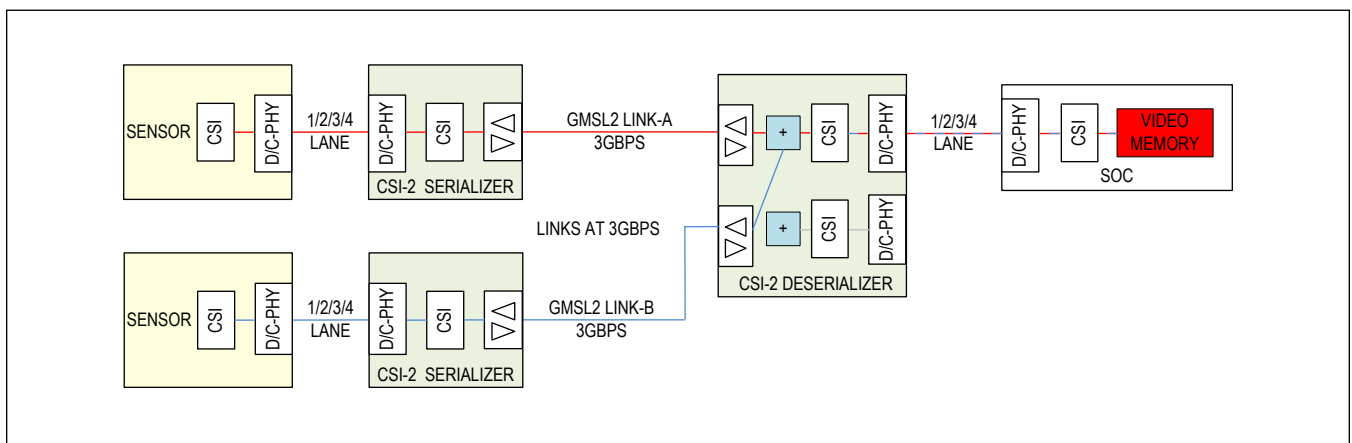


Figure 22. Dual Link, Data Aggregation

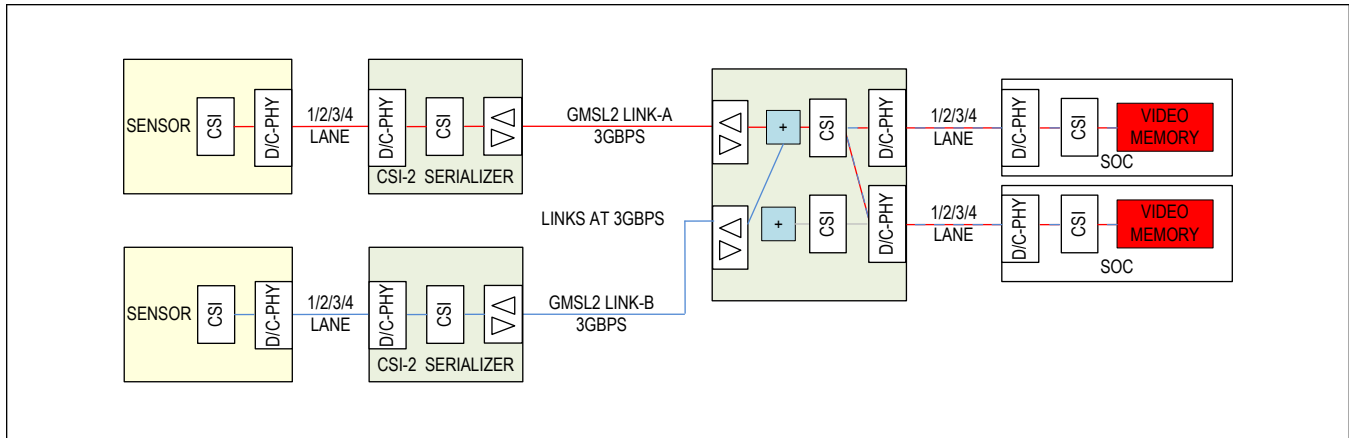


Figure 23. Dual Link, Data Aggregation and Replication

The MAX96716F is an ideal sensor deserializer when various cameras and/or sensors need to be supported, including those having a parallel or CSI-2 interface, and single or multiple data types. It also supports Radar and LiDAR sensors, where a high-speed SPI is generally required.

GMSL2 Overview

GMSL2 is a fixed-rate protocol designed to carry multiple types of communication channels concurrently. The link bit rate is based on a constant-frequency link clock generated from the 25MHz crystal oscillator or from an external reference frequency. The link clock is not related to the video pixel clock beyond the natural constraint that the video bandwidth cannot exceed the available link bandwidth.

GMSL2 uses a packet-based protocol to seamlessly share the link bandwidth between communication channels in a flexible way. Bandwidth allocation is dynamic so that if a certain channel is not active, it does not consume any link bandwidth, and all the remaining active channels can share the full link bandwidth. Maximum packet size is limited to prevent a single channel from utilizing the link bandwidth for an extended time. In most cases, available link bandwidth exceeds the bandwidth requirement. Idle packets are used to fill in the unused link bandwidth. The same data protocol is used on forward and reverse channels, and for both video and control-channel data.

GMSL2 supports a comprehensive suite of common embedded communication protocols. All devices utilize a primary I²C/UART control-channel interface that an electronic control unit (ECU) uses to access serializer and deserializer registers, as well as peripheral devices. This access can be initiated from either end of the link. The devices include two additional I²C/UART ports to access lower priority local registers or communicate with remote peripherals. These pass-through ports do not have access to the device registers.

An SPI main/subordinate is also included. The serial peripheral interface (SPI) enables a host SPI main on one side of the GMSL2 link to control a peripheral SPI subordinate on the opposite side. The host can be located at either end of the link or can swap ends by reprogramming the GMSL2 devices. A GMSL2 device can be configured as either an SPI main or a subordinate. The SPI port functions exclusively as a pass-through port without access to serializer or deserializer registers.

All GMSL2 devices include a versatile suite of general purpose input/output (GPIO) pins that work with the GMSL2 peripheral communication protocols. In general, the GPIOs function as user-defined inputs or outputs, whose states can be either automatically forwarded across the link or controlled by register settings. GPIOs are typically used to tunnel low-speed (< 100Kbps) signals over the GMSL2 link, although they also support rates in excess of 1MHz. A GPIO tunnel can be set up in the forward or reverse direction.

GMSL2 provides extensive data integrity and safety features, including watermark generation/detection, cyclic redundancy check (CRC) error detection for control and video data, and error correction code (ECC) protection of video memory. Watermark generation and detection verify the video image is not frozen. CRC error detection identifies errors in the video or control-data streams. For control-channel CRC errors, automatic retransmission of the flagged packet maximizes control-channel speed and reliability. The internal video memory includes ECC protection to detect and

correct internally-corrupted pixel data.

GMSL2 devices incorporate numerous link-margin optimization and monitoring functions that ensure high link margin and robust functionality. Continuous (1Hz) adaptive equalization optimizes link margin to adapt to environmental changes and cable aging. An eye-opening monitor function provides continuous link-margin diagnosis and includes various threshold alarm levels that trigger runtime alerts upon detecting link degradation. Pseudorandom binary sequence (PRBS) checking verifies correct link and video channel operation.

Link Error Generator

Each GMSL link includes a configurable error generator that injects errors into the outgoing data stream immediately before transmission. The deserializer injects errors into the reverse channel and the serializer injects errors into the forward channel. The receiving device detects, counts, and flags the errors, enabling a thorough validation of the system's response to error conditions of varying severity.

Video Pipeline in Pixel Mode

The video channel receives and decodes video data received from the GMSL2 serializer and transports it to the CSI-2 output ports. It supports data types including RGB888, RGB666, RGB565, YUV422-8, RAW8, RAW10, RAW12, RAW14, RAW16, RAW20, user-defined, embedded, and null. Video input data consists of color, horizontal sync (HS), and vertical sync (VS) synchronous to the PCLK. Video flows through the design as described in the following sections.

Watermarking

The watermarking block detects a frozen frame failure in a frame-based processing system between the generator and detector. This feature specifically detects frozen frames caused by SoCs in safety-critical applications. It does not detect frozen frames that occur before the watermark generator or after the watermark detector. Most GMSL2 devices contain both a watermark generator and detector. This allows both serializers and deserializers to insert or detect a watermark in a safety-relevant video stream. The watermark generator inserts a time-varying watermark that is highly redundant and robust to image processing and display stream compression. The watermark detector looks for this time-varying watermark, and failure to detect all the generated watermarks indicates a frozen-frame failure between the generator and detector in a frame-based processing system. Upon detection of this error condition, the watermark detector can generate an interrupt and/or blank the output video, returning the display to a safe state in less than 500ms.

Video (Data) Line CRC

The MAX96716F includes a 32-bit video-line CRC error checker to guarantee the integrity of each video line transported across the GMSL2 link. A video-line CRC is generated on the serializer side of the link, and is transferred over the link to the MAX96716F along with the corresponding video data. The MAX96716F compares the CRC received from the serializer with the CRC it generated for a given video line. Any discrepancy between the CRC codes indicates an error in the video data.

Vertical and Data Enable or Data Valid Sync Outputs

The MAX96716F can output the vertical sync (VS) and data enable/data valid (DE/DV) of a video stream to monitor video timing by a processor. This feature provides access to VS and DE/DV signals unavailable directly at the CSI-2 output. VS and/or DE/DV outputs are alternate functions of MFP0 and MFP3.

Control-Channel and Side Channels

A μ C or other controller can send and receive control and side-channel data over the GMSL2 serial link simultaneously with high-speed video data. All GMSL2 devices support the following interfaces:

- Primary I²C/UART (internal access)
- Pass-through I²C/UART
- SPI
- GPIO

All the above interfaces can pass data through the GMSL2 link, but the GMSL2 device registers can be accessed and configured only through the primary I²C/UART interface.

The side channel, with its various interfaces, is accessed using multifunction pins. Multifunction pins have a default

function and can be programmed to an alternate function after power-up. Due to a practical limit in the number of pins available on a given device, not all interfaces can be simultaneously supported. See [Pin Descriptions](#) and [Table 14](#) for default and alternate multifunction pin functions, as well as available combinations of interfaces.

Primary I²C/UART

The primary I²C/UART is located on the SDA_RX and SCL_TX pins of each GMSL2 device. The I²C (SDA, SCL) or UART (Tx, Rx) interface is selected by the CFG0 pin voltage at power-up (see [Table 12](#)). The selected interface provides main access to both GMSL2 registers and device registers from either end of the link.

The main microcontroller (μC) can reside on either end of the link (usually the serializer side for display applications and deserializer side for camera applications). The MAX96716F supports dual main microcontrollers, provided that software arbitration (such as token passing) is used to prevent packet collisions. The control channel allows only one main μC to communicate at a time.

To configure peripheral devices over the link, the GMSL2 serializer and deserializer must use the same control-channel interface (both I²C or both UART). Unlike legacy GMSL1 devices, there is no I²C-to-UART conversion capability. I²C /UART outputs are open-drain and require appropriately-sized external pull-up resistors for proper operation.

For detailed main channel programming information, see the [Control-Channel Programming](#) section under [Applications Information](#).

I²C/UART CRC and Message Counter

The MAX96716F provides additional functional safety by adding an optional CRC to I²C/UART read/write transactions and a separate Message Counter for read and write packets. These features are disabled by default at power-up, but can be enabled by register settings. The CRC and Message Counter can be used together or individually. The CRC and Message Counter features only apply to device register read/write transactions and are not supported for pass-through traffic. The CRC and/or Message Counter can be enabled in the serializer, deserializer, or both.

The first CRC byte covers the data for the first 6 bytes: Device Address, Register Address MSB, Register Address LSB, Message Counter MSB, Message Counter LSB, and the first data byte. If there are multiple data bytes after the first byte, then a CRC byte is appended after each subsequent data byte. The CRC engine is reset to 0 after each CRC calculation is completed, meaning a fresh CRC calculation is done for each additional byte. The CRC polynomial for I²C/UART is $P(x) = x^8 + x^6 + x^3 + x^2 + 1$.

I²C/UART CRC and Message Counter Options

At power-up, the I²C/UART CRC and Message Counter features are disabled by default in the MAX96716F. Both features can be enabled or disabled through register control.

Pass-Through I²C/UART

The MAX96716F has two pass-through I²C/UART channels. These channels do not have access to registers in either the GMSL2 serializer or deserializer; they simply tunnel the I²C or UART signal across the GMSL2 link. This allows I²C channels to be separated so that no multimain conflicts occur. I²C/UART outputs are open-drain and require appropriately-sized external pull-up resistors for proper operation.

Serial Peripheral Interface (SPI)

The MAX96716F enables a host SPI main on one side of the GMSL2 link to control a peripheral SPI subordinate on the opposite side. Communication may be in either direction across the GMSL2 link.

The SPI clock range is 600kHz to 25MHz. Care must be taken to meet set-up and hold-time requirements when using at speeds higher than 20MHz. The speed rating for each MFP must be set correctly for reliable operation. [Table 5](#) specifies the recommended drive strength and latching edge for the SPI as a function of SCLK speed.

Table 5. SPI Latching Edge and Speed

FREQUENCY	V _{DDIO}	LATCHING EDGE	PIOX_SLEW[1:0]
< 12.5MHz	1.7V to 2.24V	Opposite from Shift	01
	2.25V to 3.6V		10

Table 5. SPI Latching Edge and Speed (continued)

FREQUENCY	V _{DDIO}	LATCHING EDGE	PIOX_SLEW[1:0]
12.5MHz to 25MHz	1.7V to 2.24V	Opposite from Shift	00
	2.25V to 3.6V		01

General Purpose Input and Output (GPIO)

The MAX96716F provides up to 13 GPIO/GPO/GPI, dependent on device feature utilization. GPIOs are typically used to tunnel low-speed (< 100Kbps) signals over the GMSL2 link, although it also supports rates in excess of 1MHz. A GPIO tunnel can be set up in the forward or reverse direction. MFP pins can be programmed as GPI, GPO (push-pull output), or ODO (open-drain output).

Each GPIO pin can be configured as an input, output, or input/output by programming the GPIO_TX_EN and GPIO_RX_EN register bits of each GPIO pin. Note that unwanted loop behavior is avoided for pins configured as input/output; when the pin is driven by a transition received from the remote side, the driven GPIO transition is not transmitted back. GPIO pins may alternately be controlled and read solely from registers.

Most GPIO pins can be programmed for 1MΩ or 40kΩ pull-up or pull-down (or none).

When a GPIO is programmed as GPO, the GPO can generally be programmed for open-drain or push-pull output.

A GPIO packet has 32 possible GPIO channel IDs. Each GPI is mapped to a channel ID according to the GPIO_TX_ID register. On the receiving end, each GPO outputs the received data with a programmed GPIO channel ID corresponding to the GPIO_RX_ID register for that pin. This provides flexibility in determining which GPIO input drives which GPIO output.

GPIO transmissions are transition-based: a GPIO packet is created and transmitted on the GMSL2 link when a rising-edge or falling-edge transition is detected at a GPIO pin. Several GPIO transitions at different GPIO pins can be grouped into a single packet. These pin transitions can be transmitted in two different modes: regular and delay-compensated.

The GPIO channel is not bandwidth efficient and should be used for low-speed signals only. Each GPIO transition uses 40 bits to 80 bits on the GMSL2 link for transmit and 40 bits to 60 bits on the reverse (due to received ACK packets). Bandwidth usage values vary based on channel configuration: automatic repeat request (ARQ) enable, CRC enable, and double-header enable, all impact channel bandwidth usage.

The state of each GPIO can be read or written by register, either locally or remotely, over the GMSL2 link by a μC using the control-channel I²C/UART interface. In non-delay-compensated mode, channel latency is not fixed. The GPI transition is sent as soon as possible, based on priority and available link bandwidth. This variable delay is a result of multiple communication channels sharing the link. Use non-compensated mode with signals tolerant to delay variation (i.e. μC interrupts). Priority can be set for GPI pins using registers. If no priority is set, GPI transitions are transmitted in the order they occur. However, when priority is set, transitions on GPI with higher priority are transmitted earlier.

Typical GMSL2 device delays for forward-link and reverse-link rates are shown in [Table 6](#).

Table 6. Typical GPIO Delays for Forward-Link and Reverse-Link Transmission

DIRECTION	DELAY COMPENSATION	DELAY
GPIO forwarding from serializer to deserializer (3Gbps forward channel)	0	1μs
	1	3.5μs
GPIO forwarding from deserializer to serializer (187.5Mbps reverse channel)	0	6μs
	1	15μs

Delay in Non-Compensated Mode

In the non-compensated mode, the value of the transition is transmitted along with the GPIO channel ID. Note that GPIO channel latency is not fixed; the GMSL2 link has variable delay as a result of multiple communication channels sharing the link. A maximum latency limit is established by the GMSL2 bandwidth-sharing scheme, but significant fluctuation remains. Use the non-compensated GPIO mode with signals invariant to the delay variations (e.g., μC interrupts).

Delay-Compensated Mode

In the delay-compensated mode, a timestamp value is transmitted in addition to the value of the transition and GPIO channel ID. This timestamp is a high-resolution value sampled by an internal 600MHz clock that records when the GPIO transition is detected at the input. The remote-side chip uses the timestamp value to wait and output the GPIO transition after a total fixed delay from the GPIO input transition. This method mitigates possible variable latency issues by making the total GPIO input-to-output delay a precise, fixed value. Use the delay-compensated GPIO mode for signals for which the relative timing of rising and falling edges are important (e.g., pulse-width modulation (PWM), camera frame-sync, radar ramp trigger, and low-speed universal asynchronous receiver-transmitter (UART) signals).

Frame-Sync

In surround-view camera applications a frame-sync signal is usually required by the sensors to synchronize the output of a frame with the other cameras in the system. Most GPIOs can be configured as GPI and linked to a frame-sync signal generated by a surround-view camera ECU.

Control-Channel Retransmission on Error

Automatic Repeat Request/Automatic Retransmission (ARQ)

Communications channels with control data (I²C/UART, GPIO, SPI) are relatively low bandwidth, but require the highest data-integrity protection. An optional automatic packet retransmission method, ARQ, is employed here. ARQ works in conjunction with 16-bit packet CRC to detect if packets are received without error.

Packets are appended with a 2-bit sequence number at the transmit side and an acknowledge packet is sent from the receiver side upon successful receipt of each data packet. These packets are stored on the transmit side until acknowledged. If the acknowledge packet does not arrive in a predetermined interval, or the sequence number of the acknowledge packet does not match the expected value, the packet waiting at the top of the queue is automatically retransmitted.

The acknowledge packet uses the same header field as low-bandwidth packets, but begins with a different special symbol to distinguish it from regular data packets. This simplified format keeps retransmission exchanges independent from the communication channel. Note that this smaller packet format contains no data, obviating the need for full 16-bit CRC. Instead, the header symbol is sent twice in the packet, and the instances are checked against each other to ensure a match. The acknowledge packets also include a 2-bit sequence number that is the same sequence number of the correctly received data packet. The data packet transmitter tracks the acknowledged packets.

Other Functions

The devices include a video crossbar. The crossbar can be used to reorder the color and sync signals. It can also be used for D-PHY lane remapping and phase inversion, if desired.

GMSL2 devices incorporate numerous link-margin optimization and monitoring functions to ensure high link margin. Continuous (1Hz) adaptive equalization (AEQ) optimizes link margin to adapt to environmental changes and cable aging. An eye-opening monitor function for continuous link-margin diagnosis with various threshold alarm levels is available for runtime alerts of link degradation. PRBS checking verifies correct link and video-channel operation.

Tunnel and Pixel Modes

The MAX96716F is specifically designed for advanced driver assistance systems (ADAS) where data integrity is a key safety requirement. Prior GMSL2 solutions supported only Pixel mode for transporting received data from a MIPI CSI-2 interface over the GMSL link.

In Pixel mode, the received CSI-2 data is depacketized at the serializer's CSI-2 input interface. The received CSI-2 packet header includes an error correction code (ECC), which is checked and removed at the serializer input. The received CSI-2 packet footer contains the CSI-2 cyclic redundancy check (CRC), which is also checked and removed.

Video line pixel data and video routing information, such as data type and virtual channel, are received and extracted at the CSI-2 interface. Both video pixel data, control channel data and routing information are input to a scheduler in the serializer. The scheduler packetizes and encapsulates the data using GMSL protocol and sequences data transmission across the GMSL link. Video data transport across the GMSL link is protected by line CRCs that are part of the GMSL protocol.

The deserializer receives the GMSL packets and verifies the GMSL2 line CRCs. A CSI-2 interface at the deserializer output encapsulates each video line using CSI-2 protocol and outputs it in CSI-2 format across a CSI-2 interface to the SoC. See [Figure 24](#).

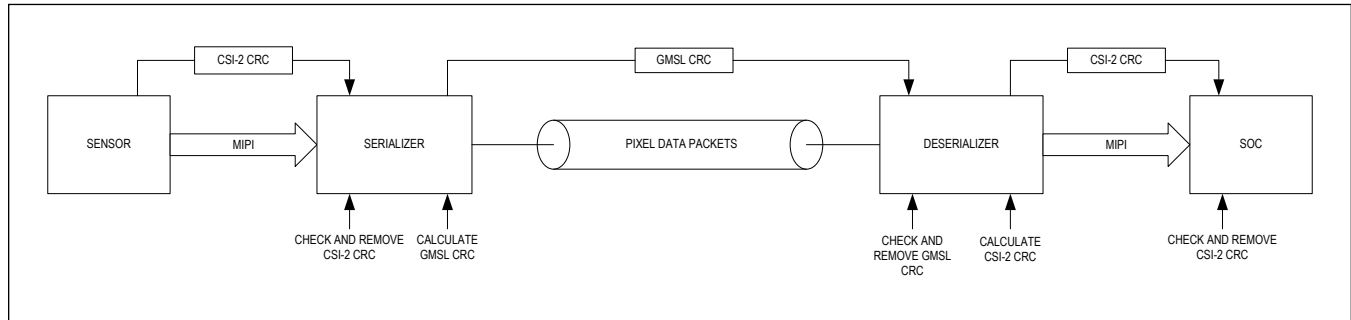


Figure 24. Pixel Mode

In Tunneling mode, the received CSI-2 ECC byte and CRC bytes are checked at the serializer input. These, as well as routing and pixel data, are received as a byte stream. The byte stream is split into smaller packets that are encapsulated using GMSL2 protocol.

The serializer adds a line CRC protecting transmission across the GMSL channel. This CRC covers the entire GMSL2 packetized byte stream for a video line. See [Figure 25](#). The deserializer receives the transmitted GMSL2 packets and control channel packets, checks and removes the GMSL CRC, separates video data from control data, and reconstructs each received CSI-2 packet that is the output to the SoC on a CSI-2 interface. A CRC is calculated on the video data output on the CSI-2 interface. This CRC is compared by the deserializer to the original CRC received from the video source. This comparison guarantees that the entire data packet output on the standard MIPI interface is identical to that received at the serializer input. Tunneling mode is more bandwidth-efficient if multiple data types are being sent. Because data received at the serializer input and data output from the deserializer are verified to be identical, Tunneling mode does not allow for processing of the video data, such as watermarking or lossy data compression. Different data rate and different lane count on serializer and deserializer are still possible.

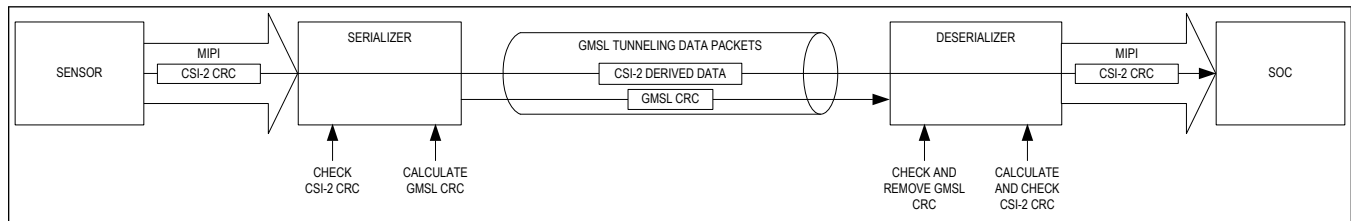


Figure 25. Tunnel Mode

Forward-Error Correction

The MAX96716F supports an optional FEC for GMSL2 (3Gbps). The Reed-Solomon encoding adds a 6-bit correction word to every 121 bits of data for an effective throughput of 93.3% in return for a BER reduction from $1e^{-15}$ to $1e^{-55}$. The primary need for FEC in GMSL2 products arises from higher bit-rates and higher-loss links (longer cables, more connectors).

GMSL FEC is a Reed-Solomon-based encoder/decoder. It is surrounded by a CRC. The FEC block processes data in blocks of 128 symbols. Each symbol is 18 bits wide. It is possible to correct up to three symbol errors (up to 54 bit errors if the errors are contiguous) detected in a block of 2,560 bits.

Uncorrectable errors are flagged by the FEC block. Any uncorrectable errors not flagged by the FEC itself are flagged by the CRC that surrounds the FEC.

Features:

- Burst error correction capability equivalent to two to three link symbols.

- Debug capability to enable analyzing quality of received data:
 - Number of errors corrected, number of uncorrectable errors.
 - Interrupt output when uncorrectable errors exceed threshold.

Notes:

- Correction is available for all data traffic in the GMSL lanes supporting FEC.
- Enabling FEC reduces the available bandwidth by approximately 7%.
- FEC adds approximately 4300 UI latency to the link.

Functional Safety Features

The MAX96716F integrates a number of safety features, including power-on-self test (POST), which includes logic built-in self test (LBIST), memory built-in self test (MBIST), and a power manager that reports undervoltage/overvoltage conditions. The host interface (I²C/UART) has an optional CRC capability and optional Message Counter for I²C/UART traffic.

At power-up, LBIST verifies that key logic blocks are correctly functioning and free of latent faults. MBIST checks the line-buffer memories to ensure data is stored correctly before being sent to the MIPI output ports. The POST produces a pass/fail result that can be read through a register for each test. A POST failure on start-up does not prevent the device from operation, but is reflected in registers POST_LBIST_PASSED and POST_MBIST_PASSED.

A register CRC (REGCRC) detects unintended changes in the configuration registers. A CRC value for the configuration registers is computed and stored on demand at start-up. During operation, the REGCRC block periodically calculates the CRC of the configuration registers and compares the calculated value to the stored value. A mismatch can be reported through ERRB.

GMSL2 Physical Layer

Analog Devices' GMSL2 serial-link family has transmitter and receiver capabilities enabled simultaneously, allowing full-duplex operation on a single wire. A single cable between the serializer and deserializer delivers data transmitted from each end of the link. Forward transmission refers to data sent from the serializer to the deserializer. Reverse transmission refers to data sent from the deserializer to the serializer.

The forward-rate is fixed at 3Gbps in both coax and STP. The reverse rate is fixed at 187.5Mbps.

Cabling Options

The MAX96716F devices support either 50Ω coax or 100Ω STP cabling. Cable attenuation and return loss characteristics must stay within the requirements of the GMSL2 channel specification to achieve robust full-duplex link performance. These requirements vary with selected link rate. The available link rates and adaptive equalization support a wide range of cabling options.

Coax or STP mode and data rates are configured upon start-up and determine which cabling option applies. In Coax mode, use only the noninverted SIO pins. AC-couple and terminate the unused SIO pins using the series connection of a 100nF capacitor and a 49.9Ω resistor. In the STP configuration, both the noninverted and inverted pins are enabled by default.

Maximum cable length is limited by the frequency-dependent attenuation of the cable. Additionally, PCB and inline connectors degrade the return loss characteristic of the cable assembly. The GMSL2 channel specification allows two inline connectors and provides detailed requirements for cable attenuation and return loss, as well as insertion loss and return loss requirements for PCB traces. In general, any physical channel implementation compliant with the GMSL2 channel specification can be used with reliable results. Contact the factory for the GMSL2 channel specification document.

Coax or STP operation of the GMSL inputs is determined by the level of CFG1 pin at power-up. The GMSL links are configured the same by default but can be changed after power-up by register programming. See [Table 13](#).

GMSL2 Bandwidth Sharing

The GMSL forward-link bandwidth is shared flexibly between different communication channels requesting the link for packet transmissions. This flexibility comes from packet-based transmission format and dynamic bandwidth allocation: if a given channel is not active, it does not consume any link bandwidth, leaving the full link bandwidth available for all

active communication channels to share. The packet-based protocol fulfills this sharing requirement. The maximum non-video packet size is limited to 64 words to prevent one channel from monopolizing the link bandwidth and ensure other channels are served. Other bandwidth-sharing mechanisms are discussed in the following section.

A bandwidth-sharing scheme is employed for multiple pending requests of the same priority setting to avoid creating buffer overflows. Without bandwidth sharing, a burst data request from a channel can cause buffer overflow in other communications channels on the link. Bandwidth sharing, however, considers predefined bandwidth share ratios and recent bandwidth usage averages of each type of communication channel to avoid buffer overflows and ensure all channels are served.

An arbiter continuously measures the bandwidth usage of each channel and filters the data according to analysis of the moving averages. This data is then compared to assigned bandwidth-share ratios. To ensure link bandwidth parity, the arbiter takes this recent bandwidth usage information to decide which channel is allocated to use the link for each new packet transmission request. Consider a link allocated for either video or SPI communications, where video is assigned 90% link share and SPI is given 5% share. A burst SPI transmission request on this link can cause video overflow buffering if the SPI bandwidth share exceeds 10% of the total. To avoid video buffering, SPI is allotted no more than 10% of the link to preserve the remaining 90% for video communications.

GMSL2 Bandwidth Calculations

The GMSL2 forward link has a fixed link rate of 3Gbps for the MAX96716F. The reverse-link rate is also fixed at 187.5Mbps. The GMSL2 protocol and channel coding overhead is roughly 16%. This leaves approximately 2.6Gbps of data throughput in the forward direction and 162Mbps in the reverse direction.

Ensure the worst use cases do not exceed the available throughput of the forward and reverse links. Analog Devices' evaluation kit (EVK) GUI includes a bandwidth (BW) calculator for initial bandwidth requirements estimates. Analog Devices also has other tools to calculate link-bandwidth utilization. Consult the factory for high-bandwidth use cases for error-free performance.

[Table 7](#) provides estimates of the bandwidth utilization for each communication channel.

Table 7. Forward- and Reverse-Link Bandwidth Utilization

DATA	APPROXIMATE BANDWIDTH UTILIZATION
Video (Forward Path Only)	$H \times V \times \text{fps} \times \text{bpp} \times (1 + (\% \text{ horizontal blanking})/100 + (\% \text{ vertical blanking})/100) \times 1.16$ Maximum bandwidth is limited by pixel clock rate PCLK. Pixel mode: $\text{PCLK} = \text{MIPI data rate}/\text{bpp}$ Pixel mode (double pixel mode): $\text{PCLK} = \text{MIPI data rate}/(2 \times \text{bpp})$ Tunneling mode: $\text{PCLK} = \text{MIPI data rate}/24$ Maximum PCLK: 300MHz for 3Gbps link rate
I ² C	18 to 60 x I ² C clock rate, depending on available link bandwidth
UART	6 x UART bit rate, 5.5 x when parity bit enabled
SPI	2.5 x SPI rate
GPIO	60 x GPIO transition rate without delay compensation 80 x GPIO transition rate with delay compensation enabled

Note: Bandwidth utilization for all video and control-channel communication in the forward direction increases by 6.7% when FEC is enabled.

Definitions:

H = Horizontal resolution (active pixels)

V = Vertical resolution (active video lines)

fps = Frames per second

bpp = Bits per pixel

MIPI data rate = Aggregate data rate of all lanes in the MIPI

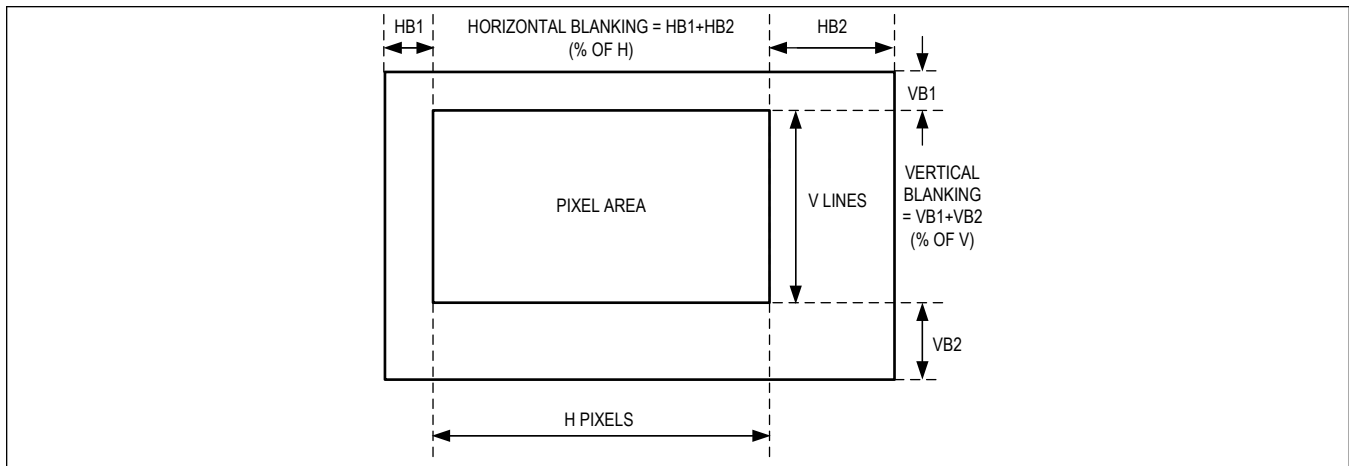


Figure 26. Video Frame Format for Bandwidth Calculations

Eye-Opening Monitor (EOM)

The EOM enables GMSL2 parts to monitor the link margin on an active link and generate an interrupt if it falls below an acceptable level. For example, if a cable is damaged, the link can run error-free, but have less link margin than desired. This allows proactive reaction to deteriorating cable performance before any link errors occur. GMSL2 devices can measure the horizontal or vertical eye opening of the equalizer's output. The measurement is activated automatically at a rate of approximately 1Hz once a link is active. The EOM block compares the data sampled at the center of the eye with a sample offset in phase for the horizontal EOM or offset in voltage for the vertical EOM. The eye-opening is then reported, and the EOM can trigger an interrupt or a reset if the opening falls below user-defined thresholds.

Line-Fault

GMSL camera deserializers include a novel line-fault detection circuit. It detects and reports open-circuit, short-to-battery, short-to-ground, and line-to-line short. The line-fault monitor requires external resistors R_{EXT1} and R_{PD} in Coax mode, and R_{EXT1} , R_{EXT2} , and R_{PD} in STP mode connected to the LMN_ pins as detailed in the following sections.

The line-fault monitor is disabled by default, configuration options are available through registers, and status can be read by the register. If unmasked, a line-fault condition asserts ERRB. Line-fault detection cannot be used in conjunction with Power-over-Coax (POC) or AC-coupled ground applications.

The line-fault monitor pins offer flexible connection and programming in either Coax or STP applications.

[Figure 27](#) illustrates the two configuration options for the location of line-fault detection. The Local-Side Serializer Configuration is typically used for display links and Local-Side Deserializer Configuration for camera links; however, either configuration can be used on any device serial link system. Additionally, either applies to Coax or STP mode.

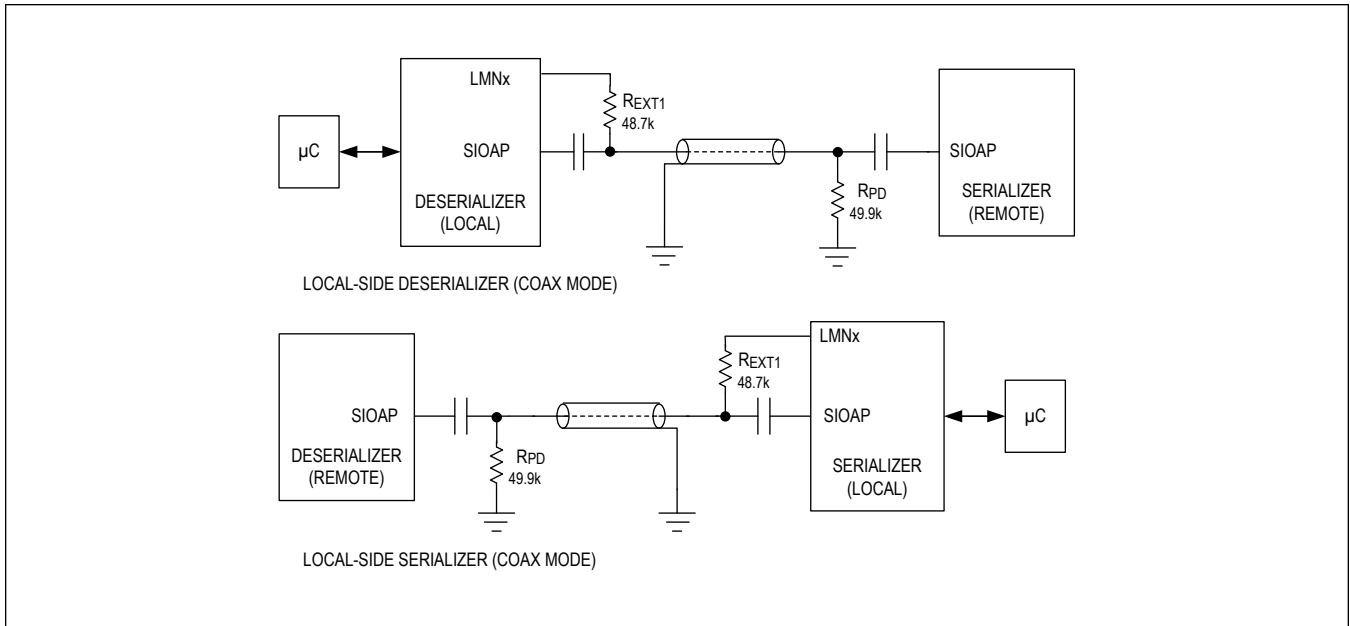


Figure 27. Line Fault Detection Location Options

The LMNx pins (LMN0 to LMN3) are typically mapped to different multifunctional pins on each unique part and package options. Some parts may have up to four line-fault detectors, depending on the package options and pin availability.

Coax Mode

In Coax applications, any LMNx pin can be used. The local side sources the line-fault. The local-side device requires a single 48.7kΩ resistor (R_{EXT1}) connected directly from any of the LMNx pins to the serial link. R_{EXT2} is not used in Coax applications. The remote side of the serial link requires a 49.9kΩ resistor (R_{PD}) connected from the serial link to GND. Any of the line-monitor pins can be used in Coax applications.

Table 8. Coax Mode Line-Fault Configuration Options

SIGNAL	SIOAP	SIOBP
Line Fault Pin	LMNx (any LMN pin)	LMNx (any LMN pin)
R_{EXT1}	48.7kΩ	48.7kΩ

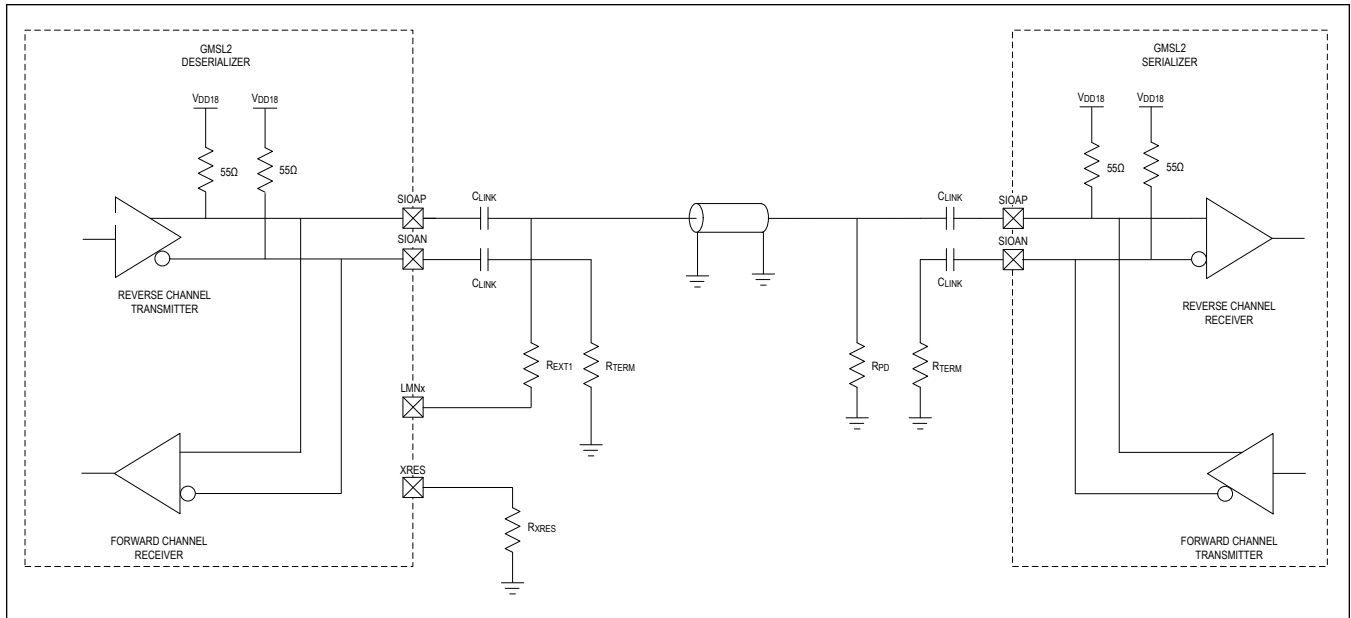


Figure 28. Typical GMSL Link Application Circuit for Coax Cable

STP Mode

If the serial link is operating in Twisted-pair mode, connect one line to an even-numbered pin (LMN0/2) and the other line to an odd-numbered pin (LMN1/3) on the local side. For reliable line-fault detection, the even-numbered pins (i.e., LMN0 and LMN2) must be connected to the line using a 42.2kΩ resistor (R_{EXT2}); the odd-numbered pins (i.e., LMN1 and LMN3) must use a 48.7kΩ resistor (R_{EXT1}) to connect to the line (as with single-ended mode)). On the remote side, both lines require a 49.9kΩ resistor (R_{PD}) connected to GND.

For full operation of line-fault detection in twisted-pair applications, use either LMN0/1 or LMN2/3 pairs. This pairing is required for proper operation of the line-to-line short detection; however, this pairing is not necessary for the detection of other fault conditions.

Line-Fault Pair #1 (LMN0/LMN1) Resistor Values and Connection Choices in STP Mode

Table 9. STP Mode Line Fault Configuration Options for LMN0/LMN1

LINE FAULT PAIR #1: LMN0 AND LMN1	SIOAP	SIOAN
Option #1	LMN0: R _{EXT2} = 42.2kΩ to serial link	LMN1: R _{EXT1} = 48.7kΩ to serial link
Option #2	LMN1: R _{EXT1} = 48.7kΩ to serial link	LMN0: R _{EXT2} = 42.2kΩ to serial link

Line-Fault Pair #2 (LMN2/LMN3) Resistor Values and Connection Choices in STP Mode

Table 10. STP Mode Line Fault Configuration Options for LMN2/LMN3

LINE FAULT PAIR #2: LMN2 AND LMN3	SIOAP	SIOAN
Option #1	LMN2: R _{EXT2} = 42.2kΩ to serial link	LMN3: R _{EXT1} = 48.7kΩ to serial link
Option #2	LMN3: R _{EXT1} = 48.7kΩ to serial link	LMN2: R _{EXT2} = 42.2kΩ to serial link

Identical options apply to the GMSL B-port (SIOBP and SIOBN pins).

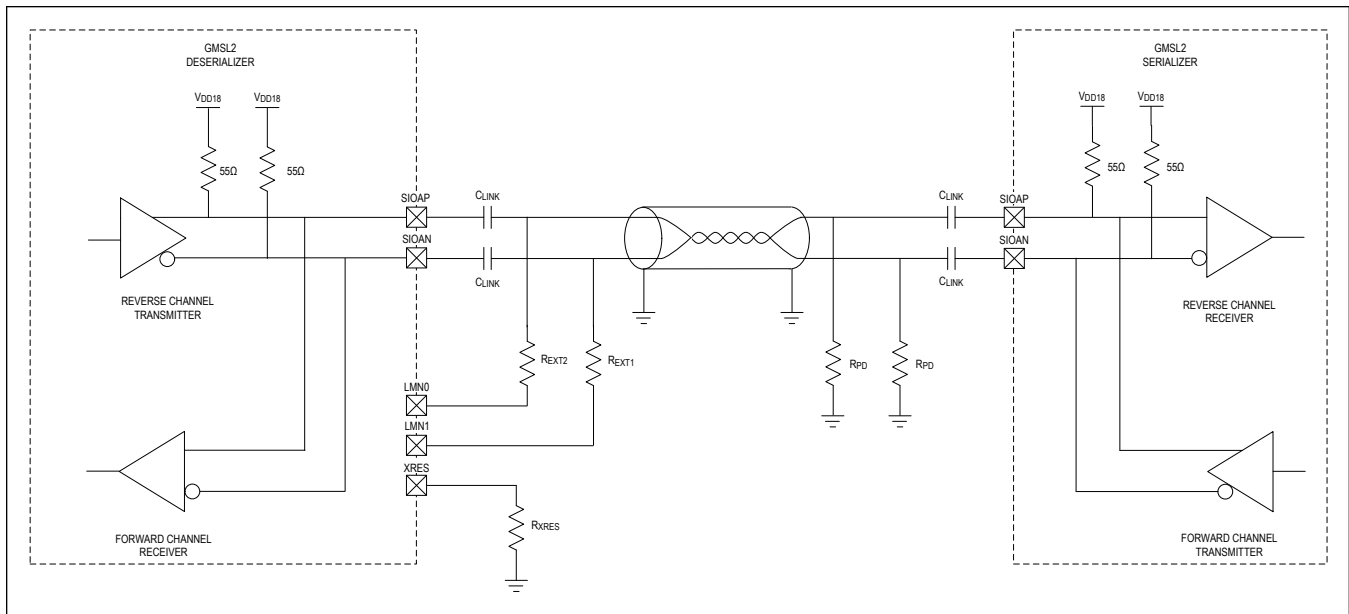


Figure 29. Typical GMSL Link Application Circuit for Twisted Pair (Line-Fault Pair #1: LMN0 and LMN1, Option #2)

AEQ (Adaptive Equalization)

The GMSL2 devices automatically adapt the forward-path receiver characteristics to compensate for insertion loss and return loss characteristics of the channel, which consist of the cables, connectors, and PCBs. This approach optimizes performance on any channel that meets the GMSL2 channel specifications. The equalizer architecture makes GMSL2 links robust against noise, crosstalk, and reflections. Initial adaptation is performed during link lock and then invoked at a rate of approximately 1Hz to track temperature and voltage variations. The adaptation process optimizes the equalizer coefficients to maximize the eye-opening by using the built-in eye-opening monitor.

Video Pipes

In the GMSL2 Pixel mode, the transportation of video data is based on the concept of video pipes. Carrying data in pipes allows GMSL2 to bridge different digital video interfaces (i.e., parallel YUV422 source to CSI-2 sink), and perform watermark generation and detection. A pipe carries a video stream (or streams) and video synchronization data, and operates in one of three modes. In all modes, a pipe can carry multiple concurrent video streams, with each stream having different virtual channels and data types as follows:

- Mode 1: Streams with constant bits per pixel (bpp) of up to 24bpp. The bpp of the streams must be the same.
- Mode 2: Streams with 16, 14, 12, 10, or 8bpp. Streams less than 16bpp are padded with zeros.
- Mode 3: Streams with two different bpp rates. The bpp of one stream must be twice the bpp of the other stream. The highest bpp stream is 24bpp.

Modes 1 and 3 carry data at full bandwidth, but put more restrictions on bpp than Mode 2. Mode 2 allows streams with different bpp rates, but streams of less than 16bpp are carried using more bandwidth than necessary on the GMSL2 link (because of zero-padding). Mode 1 or 3 is sufficient for most applications. Mode 2 requires less programming and is more convenient if the application does not require maximum link bandwidth.

The MAX96716F has two video pipes, one for each GMSL2 port. Each of the two pipes has a dedicated video-line buffer. Each 32k byte (256kb) video-line buffer has the capacity for a line length of up to 8,191 24-bit pixels (8,191 pixels include line-blanking pixels). The number of pipes used by all serializers connected to the MAX96716F cannot exceed two pipes.

Before data enters a line buffer, it goes through a crosspoint switch and a DT and VC reassignment stage. If the video source has a CSI-2 output, packet DT and VC can be left as-is or reassigned through register programming. Up to 16 DT/VC incoming pairs can be mapped to 16 DT/VC outgoing pairs.

If the video source does not have a CSI-2 output, a DT and VC can be programmed in the MAX96716F for insertion into

the CSI-2 output packet. The crosspoint switch can change the order of the bits in the incoming video pixel data to any order, if desired.

A line buffer stores a complete line of video data before the data is available for readout by an aggregator. Each buffer connects to two aggregators, but only one aggregator (as programmed by the user) can read a line of data out of the buffer at a time. Once data is read out, it cannot be read out a second time by the same aggregator or by the other aggregator. However, in a time-domain multiplexed fashion, both aggregators can be programmed to read from the same buffer.

Data is read out from line memory on a first-come, first-served basis. When a complete line of data has filled a line memory, it is read out. The order in which the line memories reach filled status is the order in which they are read out.

In Pixel mode, video data can be routed according to DT or VC, based on the source CSI-2 packet's DT/VC, or by a DT/VC assigned or reassigned by the MAX96716F. For example, data in Pipe Y with VC0 can be programmed to be read out by Aggregator A, while data in Pipe Y with VC1 can be programmed to be read out by Aggregator B. In Tunneling mode, data cannot be routed by VC or DT, but is simply sent to the programmed aggregator.

The aggregator forwards the line of video or data from the line buffer, and video-synchronization data to its associated CSI-2 controller for packet generation. Packets can be output on the controller's port or replicated by routing them to the other port. For example, CSI-2 Controller 0 can output packets on D-PHY Port A or also route them for output of D-PHY Port B.

A D-PHY or C-PHY port can only accept packets from one controller; it cannot aggregate packets from the two controllers.

To prevent buffer overflow, program the CSI-2 port data rate to a rate equal to or greater than the incoming data rate. Programming the output rate to be faster than the bandwidth of the incoming video or data increases packet spacing (LP time between packets).

No reformatting of the data occurs in Tunneling mode. It is a requirement for functional safety that the video data is unchanged, such that it can be compared against the tunneled CSI-2 CRC by the host.

After data exits a retiming buffer, it goes through a crosspoint switch, and a DT and VC reassignment stage. If the video source has a CSI-2 output, packet DT and VC can each be left as-is, or reassigned by register programming.

[Figure 30](#) shows the MAX96716F operating with the input data from each input port kept separate, while [Figure 31](#) shows the ability to combine the data from each input port onto both output ports.

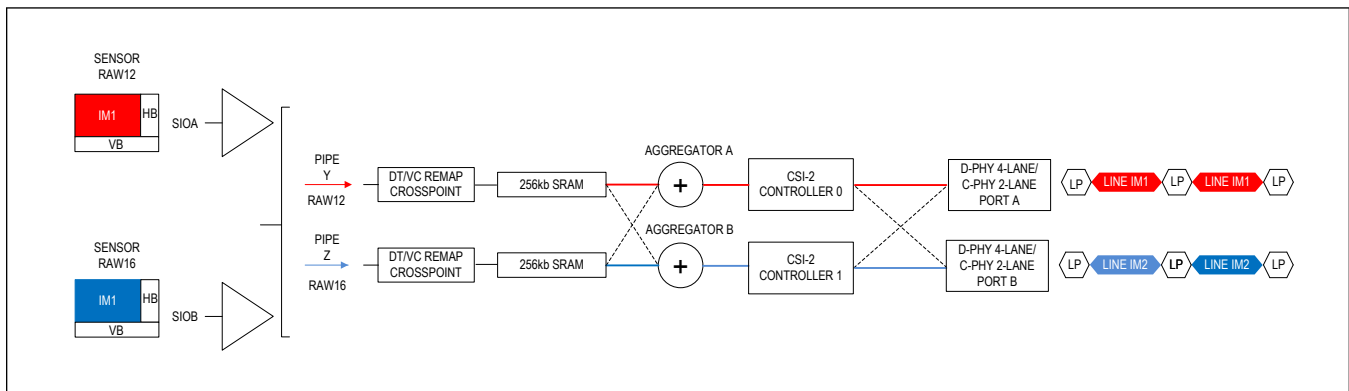


Figure 30. GMSL2 Video Output of Separate Ports

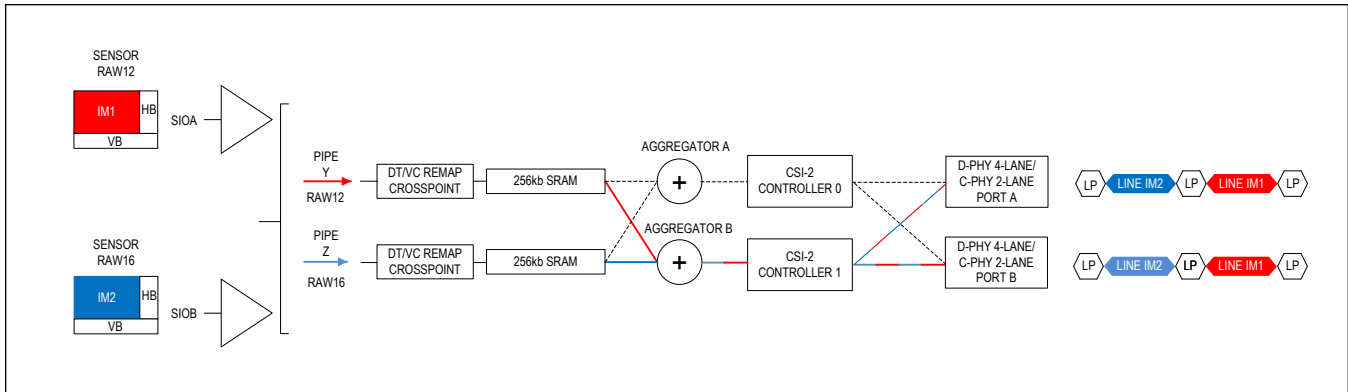


Figure 31. GMSL2 Video Aggregated and Replicated

Video-Timing Generator (VTG)

The VTG can substitute HS, VS, and DE signals with the signals it generates as defined by the configuration registers. The VTG can generate almost any type of SYNC-signal set pattern in various modes to start the generated patterns. With proper register programming, it is possible to generate any desired PCLK output frequency without an attached serializer. The VTG can generate a test pattern at any resolution with internally-generated clocks.

RGB888 Video-Pattern Generator

The built-in RGB888 VPG can be used for debug purposes. Video of any resolution can be generated by the VPG without a GMSL connection, or video from the peripheral can be replaced by the video-pattern generated by the VPG as programmed from the configuration registers (see PATGEN_1 register block). The VPG can generate checkerboard and gradient patterns using RGB888 data. The pixel clock for the VPG is sourced internally and is configured using the following registers:

Table 11. Video-Pattern Generator Pixel Clock Selection

0x38[1]	0x38[0]	0x1FC[7] PATGEN_CLK_SRC	PIXEL CLOCK (MHz)
0	0	x	25
0	1	x	75
1	x	0	150
1	x	1	600

Pseudorandom Binary Sequence (PRBS)

Video PRBS

The video channel of the serializer implements a PRBS pattern generator that operates with bit-error verification in the deserializer to test channel operation. The PRBS generator works with the clock received from the source.

Link PRBS

The link PRBS test is an evaluation tool to validate error-free operation across the GMSL channel using a PRBS-7 data pattern. It can be useful for the prototyping and verification phases of the GMSL SerDes devices.

The link PRBS floods the entire link bandwidth with PRBS-7 data. Regularly packetized data such as video and control channel commands cannot be sent during the test. Once the test is enabled, the control channel is lost, and remote communication is unavailable. To properly operate the link PRBS test, access to both local and remote device registers is required without the serial link as the control-channel transmission medium. This can be achieved only by accessing the control interfaces on both the serializer and deserializer to configure the link PRBS generator/checker on each end of the link.

Video-Memory ECC Protection

The integrity of data propagating through the video pipeline's memory is guaranteed by ECC, which corrects 1-bit errors and detects 1-bit or 2-bit errors per 32 bits of video data. This functionality provides protection of data unprotected by the CRCs of the incoming GMSL stream or outgoing camera serial interface (CSI) stream, eliminating the possibility that internally-generated bit errors might corrupt the outgoing CSI-2 stream. The state of the ERRB pin can be used to detect the presence of errors. Intentional memory-error injection is available for diagnosis.

Scheduler/Arbiter

A scheduler transmits packets with high priority values before lower priority values. Each communication transmit adapter sets a priority for the packet request before transmitting data to the remote side. The priority value is 2 bits, which allows for the following settings: 0 = low, 1 = normal, 2 = high, and 3 = urgent. The scheduler, provided sufficient link bandwidth, chooses to transmit the packet with the highest priority among the pending active requests. Priority levels become more important as link bandwidth becomes scarce. Assign prioritization accordingly.

In most cases, each transmitter adapter should use the normal priority setting (priority = 1) to allow the scheduler to choose the transmission schedule based on recent bandwidth usage. Packet priority can be increased if packets require low latency or have waited for a specified period of time. For example, packets with requirements on maximum latency can have increased priority if the packet request is not serviced until half of the maximum latency requirement has elapsed. This can also be used for communications channels with continuous data flow (e.g., video). Priority can be increased when the transmit adapter data buffer approaches overflow. Conversely, register configuration allows the priority settings of each channel to be overridden. This option is useful if the host μ C wants to prioritize one channel over the others.

Communications channels with very relaxed latency requirements can use the low-priority setting (priority = 0). These low-priority packets are not serviced by the scheduler if there are any pending requests of a higher priority setting. In this arrangement, link-bandwidth assignment can reach the theoretical maximum for video. Low-priority packets can then be transmitted during video horizontal-blanking time, during which the video-channel bandwidth usage drops considerably.

Control-Channel CRC Generation and Checking

Every packet (excluding idle and acknowledge packets) can be protected by a 16-bit packet CRC. Each packet type can be individually configured to enable or disable packet CRC. By default, all control-channel packets transporting I²C, UART, SPI, or GPIO data have packet CRC. For the forward control-channel, the CRC is generated for each control-channel packet transported across the link to the deserializer. In the deserializer, a CRC is calculated based on the packet content and is compared to the received CRC. A mismatch results in automatic retransmission of the packet. Similarly, for the reverse channel, the CRC is generated in the deserializer and checked in the serializer. A mismatch results in automatic retransmission of the control channel packet.

For a GPIO, each packet transmitted across the link represents a GPIO transition and its routing information. Thus, each transition results in a 16-bit CRC being transported across the link, adding to bandwidth consumption.

Note that as acknowledge packets contain no data and the header is repeated, CRC is unnecessary.

The 16-bit packet CRC generator polynomial is: $x^{16} + x^{15} + x^2 + 1$.

Serial Peripheral Interface (SPI)

The MAX96716F includes one SPI bridge, enabling a host SPI main on one side of the GMSL2 link to control a peripheral SPI subordinate on the opposite side. Communication can be in either direction across the GMSL link.

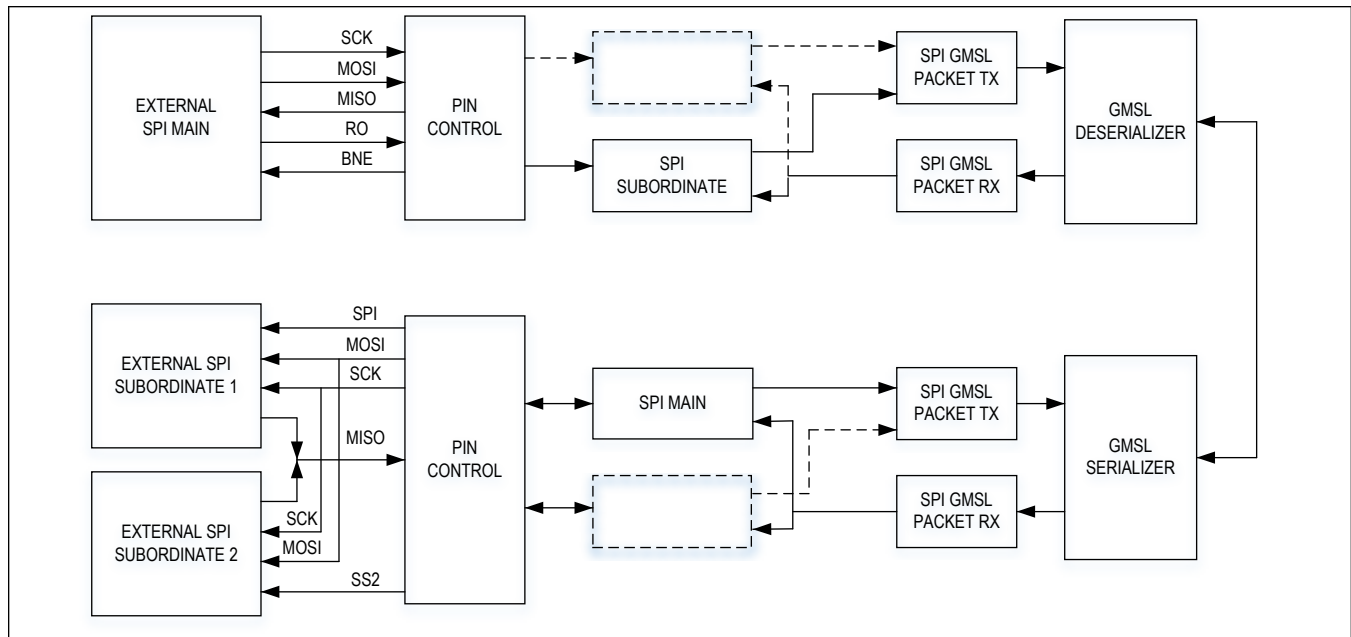


Figure 32. SPI Bridge

CSI-2 Output Interface

Lane Configurations and Data Rates

Video data is output to unidirectional MIPI CSI-2 v1.3 output ports. Each port can be configured to use either D-PHY v1.2 or C-PHY v1.0. The interface offers a high degree of flexibility. When configured as D-PHY, each interface supports either one, two, three, or four differential lanes. Up to four lanes on each port are supported if the part is configured to use one or two ports. When configured as C-PHY, each port supports either one or two lanes/trios. To ease PCB layout, lane swapping is supported independently of the number of lanes used. For example, when the device is configured to enable a single lane, that lane can be any one of the four lanes available within that port. If two lanes are enabled, those two lanes can be any two lanes within the port. Lane polarity swapping within a lane is also supported.

CSI-2 Virtual Channel and Data Type Interleaving

The device supports virtual channels, including virtual-channel extension (VCX) introduced in CSI-2 v2.0, enabling up to 16 virtual channels.

Video PRBS Generator/Checker

GMSL2 devices include built-in video PRBS generators/checkers for video link testing. For example, a serializer's PRBS generator can be used in conjunction with a deserializer's PRBS checker to test the GMSL2 video channel that connects the two devices. In this case, the MAX96716F's PRBS checker functionality compares the received PRBS stream with the predicted PRBS data to establish any errors.

The MAX96716F also includes the video PRBS generator functionality to test downstream video devices that receive video through the MAX96716F's CSI-2 output. This includes GMSL serializers connected in a loopback configuration with CSI and GMSL video paths being tested at the same time.

Note that all link bandwidth is not used by the video channel alone. So, it is possible to have a bit error on the link that does not cause a video PRBS error.

To run the video PRBS test, first enable the PRBS generator on the transmitter side, then enable the checker on the receiver side. The PRBS checker automatically syncs itself to the incoming PRBS pattern. If it is unable to sync within a few cycles, it then asserts the PRBS_FAIL register. To stop the PRBS test, first turn the checker off on the receiver side, then turn the generator off on the transmitter side.

PRBS errors can be read from the VPRBS_ERR register on the deserializer side. Any PRBS error causes the ERRB pin to go low in the deserializer by default (see VPRBS_ERR_OEN and VPRBS_ERR_FLAG register bits).

Note that the video channel shares link bandwidth. So, it is possible to have a bit error on the link that does not cause a video PRBS error.

MIPI CSI-2 Output Raw PRBS Generator

The MAX96716F facilitates MIPI PHY characterization by generating PRBS output streams in the HS transmit mode directly from each C/D-PHY output lane. The available patterns are PRBS9, PRBS11, and PRBS18, and the resulting output data is a continuous stream not packetized by the CSI-2 controllers.

Lane Deskew

The device's CSI-2 interface, configured to use D-PHY, supports interlane deskew by transmitting deskew patterns from the transmitter when the bit transmission rate is 1.5Gbps/lane and above. Deskew is optional for data rates lower than 1.5Gbps/lane. Deskew must be turned on using DESKEW_INIT and DESKEW_PER registers for each MIPI PHY. Refer to the GMSL2 user guide for details on configuring the lane deskew function.

Minimum Blanking

The minimum horizontal blanking period needed by the CSI-2 serializers and deserializers is the maximum of either 40 pixels or $300\text{ns} + 370\text{UI}$ (where UI is defined as the period of CSI-2 lane rate). For most cases, 40 pixels is the larger number. The minimum vertical blanking period is one video line. The minimum vertical front porch is one video line. The recommended vertical back porch is one video line.

The minimum vertical back porch in pixel mode is the maximum of:

- 40 pixels
- $300\text{ns} + 370\text{UI}$

The minimum vertical back porch in tunneling mode is the maximum of:

- 40 pixels
- $200 \text{ PCLK periods} + 233\text{ns}$, where $\text{PCLK} = \text{total MIPI data rate}/24$
- $300\text{ns} + 370\text{UI}$

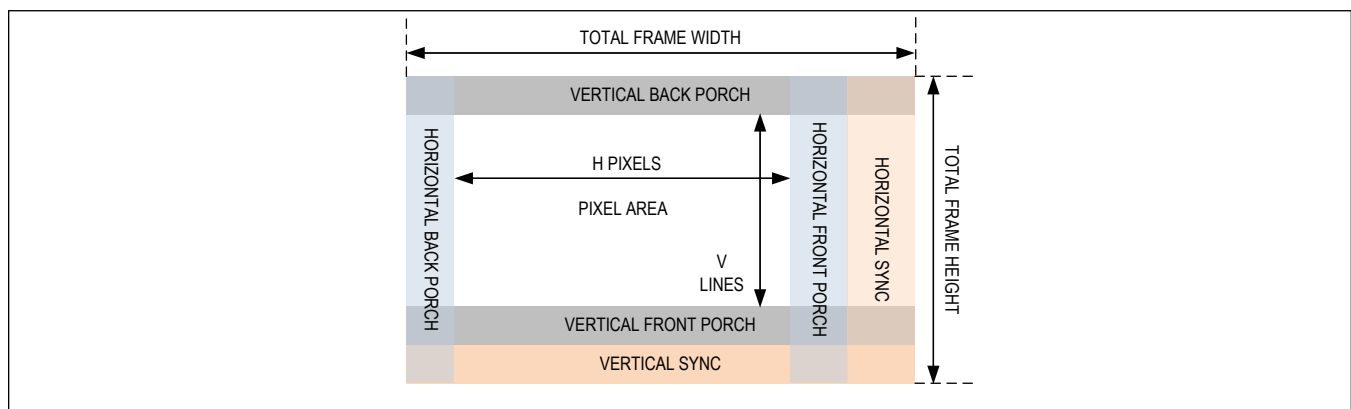


Figure 33. Video Timing

MIPI End-to-End Packet Spacing

When in Tunneling mode, timing requirements must be met to avoid a false line-CRC error flag. Figure 34 shows that the end-to-end packet spacing (L1, L2, ... LN, LE, LS) must be a minimum of $200 \times \text{PCLK} + 233\text{ns}$, where PCLK is the total MIPI data rate/24. This limit is typically a concern for the line-end short packets, which follow the last long data packet of a frame. An alternate solution is to disable the line-CRC check and rely on the MIPI CSI-2 packet CRC, which is a valid verification of error-free data reception.

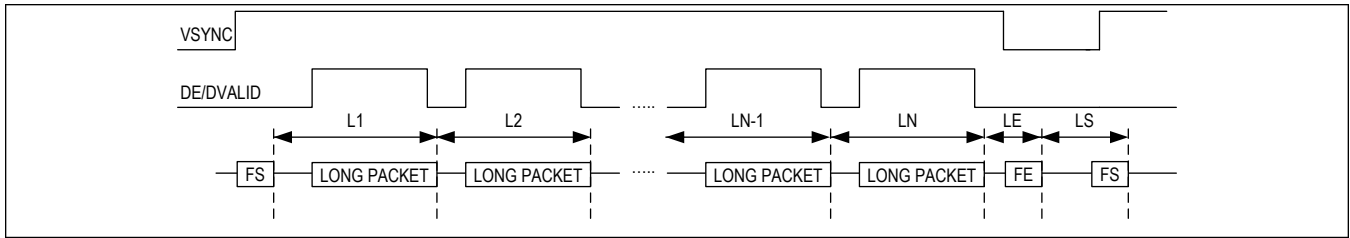


Figure 34. End-to-End Packet Spacing

CFG Latch at Power-Up Pins

At power-up or after reset, the voltages at the CFG pins (set by the voltage divider) are sampled. The sampled level is used to set the initial value of certain registers.

Table 12. CFG0 Input Map

CFG0 INPUT VOLTAGE SPECIFICATION (Note a, b) (% OF V _{DDIO})			SUGGESTED RESISTOR VALUES (1% TOLERANCE) (Note c)		MAPPED CONFIGURATION (Notes d, e)	
MIN	TYP	MAX	R1 [Ω]	R2 [Ω]	I2CSEL	DEVICE ADDRESS
0.0%	0.0%	11.7%	OPEN	10k	I ² C	0x50
16.9%	20.2%	23.6%	80.6k	20.5k		0x54
28.8%	31.2%	35.5%	68.1k	32.4k		0x98
40.7%	44.0%	47.4%	56.2k	44.2k		0xD4
52.6%	56.0%	59.3%	44.2k	56.2k	UART	0xD4
64.5%	67.9%	71.2%	32.4k	68.1k		0x98
76.4%	79.8%	83.1%	20.5k	80.6k		0x54
88.3%	100%	100%	10k	OPEN		0x50

Notes:

- Resistor-divider tolerance, V_{DDIO} supply ripple, and external loading must not cause the CFG0 input voltage to exceed the maximum or minimum limits.
- Other than the CFG0 input resistor-divider, any load on CFG0 must be ≥ 25 x (R1 + R2).
- Each resistor in the voltage divider must be ≤ 100kΩ.
- I2CSEL: I²C or UART interface for SDA_RX and SCL_TX.
- When this address is selected, both serial inputs are automatically enabled. A single serial input can be programmed after power-up, if desired.

Table 13. CFG1 Input Map

SPECIFICATION (Note a, b) (% OF V _{DDIO})			SUGGESTED RESISTOR VALUES (1% TOLERANCE) (Note c)		MAPPED CONFIGURATION			
MIN	TYP	MAX	R1 [Ω]	R2 [Ω]	COAX OR TWISTED PAIR	DATA RATE [Gbps]	TUNNEL/PIXEL MODE	
0.0%	0.0%	11.7%	OPEN	10k	STP	3	Tunnel	
16.9%	20.2%	23.6%	80.6k	20.5k			Pixel	
28.8%	32.1%	35.5%	68.1k	32.4k		COAX	3	Tunnel
40.7%	44.0%	47.4%	56.2k	44.2k				Pixel
52.6%	56.0%	59.3%	44.2k	56.2k	COAX	3	Tunnel	
64.5%	67.95%	71.2%	32.4k	68.1k			Pixel	
76.4%	79.8%	83.1%	20.5k	80.6k		COAX	3	Tunnel
88.3%	100%	100%	10k	OPEN				Pixel

Notes:

- Resistor-divider tolerance, V_{DDIO} supply ripple, and external loading must not cause the CFG1 input voltage to exceed the maximum or minimum limit.
- Other than the CFG1 input resistor-divider, any load on CFG1 must be $\geq 25 \times (R1 + R2)$.
- Each resistor in the voltage-divider must be $\leq 100k\Omega$.

MFP Function Map and Slew Settings

Side-channel functions, such as SPI and pass-through I²C/UART, are enabled by programming multifunction pins. Each MFP has several possible functions, but only one can be used at a time.

Some functions require only a single MFP, but most are implemented across a group of MFPs. For example, LOCK is a single MFP, but SPI takes several MFPs. MFP functions are selected to suit each use case by programming the appropriate registers.

The [Pin Description](#) table shows default and alternate functions for each MFP. [Table 14](#) also shows priority, left to right, with highest priority on the left. Disable a higher-priority function when enabling a lower-priority function, both by register writes.

Each MFP has a programmable slew setting that sets the transition time, as shown in [Table 15](#). Slew settings listed as I²C apply to pass-through I²C pins when pass-through I²C is enabled. The pin slew default in [Table 14](#) suits the MFP's normal application requirements. Except for I²C/UART and GPI_/ODO functions, where transition times are fixed, the transition time of each speed group can be changed from the default value through register programming.

Transition times depend on the transition-time setting and V_{DDIO} supply voltage. See [Table 15](#) for typical transition times.

Table 14. MFP Pin Function Map

PIN	LATCH ON POWER-UP	I ² C/UART	SPI	OTHER FUNCTIONS	GPIO	POWER-UP DEFAULT	PIN SLEW DEFAULT (BINARY)
MFP0		SDA1_RX1, SDA2_RX2	SCLK	FSYNC_OUT, VS2, DE2/DV2, MS	GPIO0	GPI (1M Ω to GND)	10
MFP1		SCL1_TX1, SCL2_TX2		LOCK	GPIO1	LOCK (ODO, 40k Ω to V_{DDIO})	11
MFP2	CFG0		BNE, SS1		GPO2	DISABLED (Hi-Z)	11
MFP3	CFG1		SS2	VS1, DE1/DV1	GPO3	DISABLED (Hi-Z)	11
MFP4			RO(Alt)	ERRB	GPIO4	ERRB (ODO, 40k Ω to V_{DDIO})	11
MFP5		SDA1_RX1, SDA2_RX2	MOSI	LOCK(Alt)	GPIO5	RX1 (40k Ω to V_{DDIO})	10
MFP6		SCL1_TX1, SCL2_TX2	MISO		GPIO6	TX1 (40k Ω to V_{DDIO})	10
MFP7			RO	LMN0	GPI7	GPI7 (1M Ω to GND)	NA
MFP8				LMN1	GPI8	GPI8 (1M Ω to GND)	NA
MFP9				LMN2	GPI9	GPI9 (1M Ω to GND)	NA
MFP10				LMN3	GPI10	GPI10 (1M Ω to GND)	NA

Table 14. MFP Pin Function Map (continued)

PIN	LATCH ON POWER-UP	I ² C/UART	SPI	OTHER FUNCTIONS	GPIO	POWER-UP DEFAULT	PIN SLEW DEFAULT (BINARY)
MFP11		SDA_RX			GPI11_ODO11	SDA or RX (ODO, 40kΩ to V _{DDIO})	NA
MFP12		SCL_TX			GPI12_ODO12	SCL or TX (ODO, 40kΩ to V _{DDIO})	NA

All MFP pins are Hi-Z in power-down state.

All MFP IOs are latched in Sleep mode.

Hi-Z – 1MΩ pull-up/pull-down is disabled and input/output is disabled.

Latched – Value of input before Sleep mode entered remains latched in Sleep mode and after return to Power-up mode.

ODO = Open-drain output

Table 15. Control- and Side-Channel Typical Rise and Fall Times

PIN SLEW	RISE TIME (ns) (20% to 80%), C _L = 10pF		FALL TIME (ns) (80% to 20%), C _L = 10pF	
	V _{DDIO} = 1.8V	V _{DDIO} = 3.3V	V _{DDIO} = 1.8V	V _{DDIO} = 3.3V
00	1.0	0.6	0.8	0.5
01	2.1	1.1	2.0	1.1
10	4.0	2.3	4.3	2.3
11	9.0	5.0	10.0	5.0
I ² C	NA	NA	40	30

MFP Pin Equivalent Circuits

In general, MFP pins can all be classified as either programmable high-speed GPIO or programmable I²C/ODO GPIOs. Equivalent circuit representations are shown in [Figure 35](#) and [Figure 36](#).

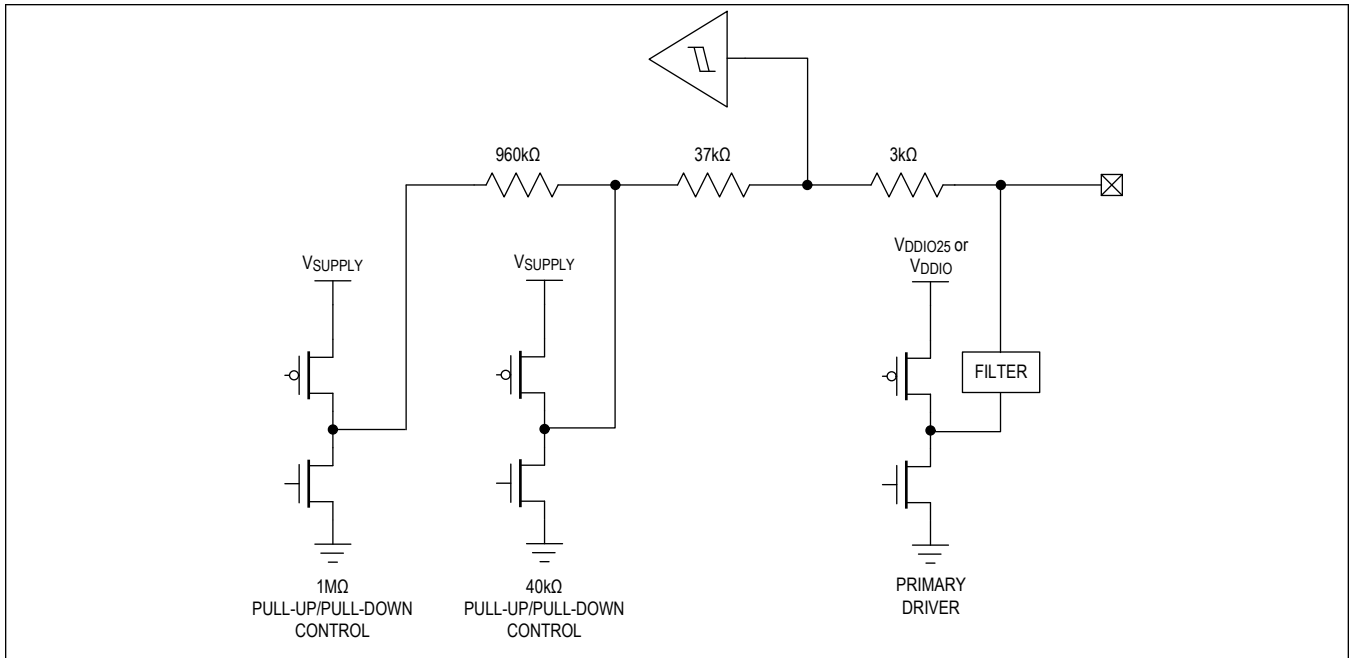


Figure 35. Standard High-Speed GPIO

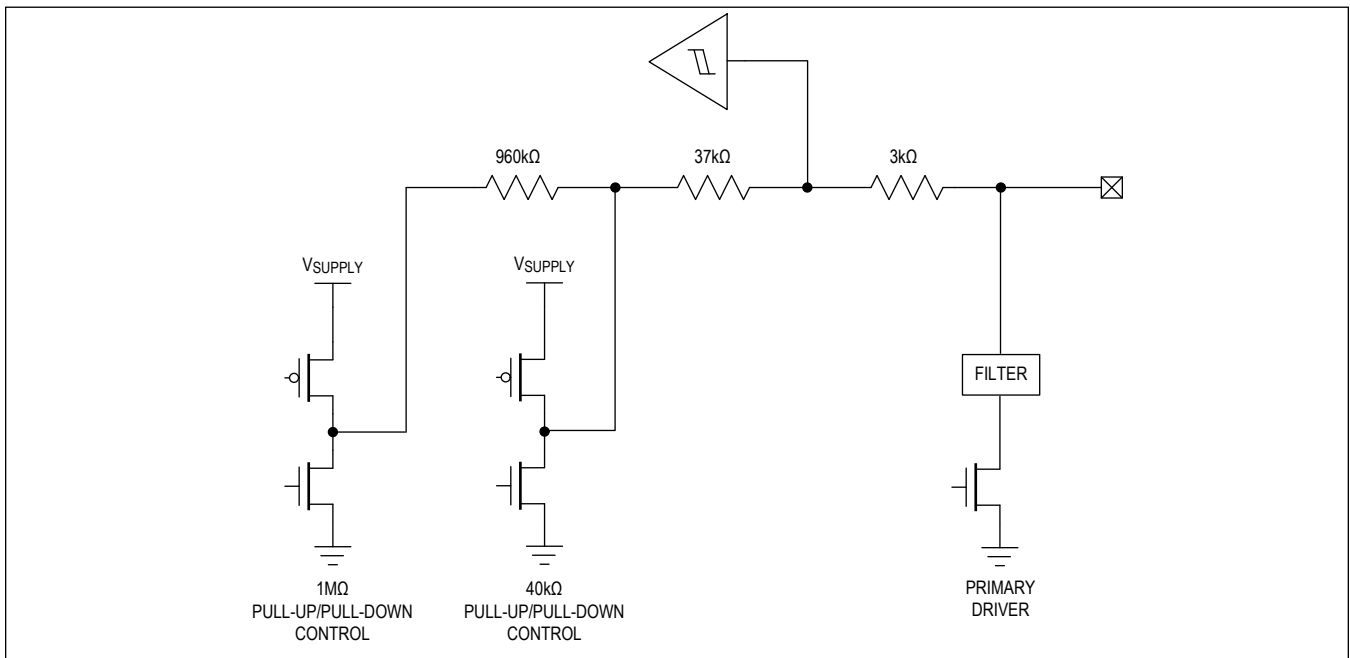


Figure 36. Standard I²C GPIO

Power-Up and Link Start-Up

GMSL2 ICs are in power-down mode when the PWDNB pin is low or when any of the power supplies are down. Registers and configurations are set to default reset conditions.

The serializer and deserializer may power up in any order. After all power supplies are up and PWDNB is released, each device starts its power-up sequence and performs these actions in sequence:

1. Latch at power-up CFG pin levels. Set the internal registers according to the selected configuration (selected by CFG0, CFG1).
2. The control channel (I²C or UART) is functional on local side. The device registers are writable and readable.
3. The link is established based on the following settings:
 - a. Single-link auto-selection mode (AUTO_LINK = 1 and LINK_CFG = 1 or 2): Automatically select the PHY to establish a GMSL2 link by periodically trying to handshake using PHY A and PHY B.
 - b. Single-link manual-selection mode (AUTO_LINK = 1 and LINK_CFG = 1 or 2): Set LINK_EN_B to 0 and keep LINK_EN_A at 1 to establish a link using PHY A. Set LINK_EN_A to 0 and keep LINK_EN_B at 1 to establish a link using PHY B.
 - c. Reverse-splitter mode. Link A and Link B (AUTO_LINK = 1 and LINK_CFG = 3) are selected: Mode aggregates data from both links within the deserializer to output on one or two MIPI output ports.
4. Each enabled PHY performs link calibration, equalizer adaptation, and data-channel locking. Both devices set their LOCK pins high.
5. The control channel is available from the remote side.

The entire link-up process, from the time that the last part's PWDNB input is brought high, takes typically 65ms for any channels that meet the GMSL2 channel specifications.

After the devices are linked, they can be configured. This can be done locally or over the control-channel, by a microcontroller on either the serializer or deserializer side.

Device Reset

There are three general reset options available through register writes:

1. RESET_ALL resets all blocks including all registers, digital blocks, and analog blocks. This process is similar to driving the PWDNB pin low and then high. Note: If Sleep mode is used, do not use RESET_ALL, as it returns the device to Sleep mode.
2. Setting RESET_LINK resets all GMSL PHY-related digital logic and data pipelines. After this bit is set, all control registers are still accessible through the local control-channel and their values are preserved. The link and data pipelines are held in RESET until RESET_LINK is cleared.
3. RESET_ONESHOT resets all GMSL PHY-related digital logic and data pipelines, and then automatically clears itself. This is similar to setting and clearing RESET_LINK.

Program the registers that affect GMSL link operation (i.e., TX_RATE, RX_RATE, CXTP_A/B, AUTO_LINK, LINK_CFG, GMSL2) first, followed by RESET_ONESHOT, or set these registers when RESET_LINK = 1, and then set RESET_LINK = 0. Setting LINK_CFG = 3 is a special case that requires writing LINK_CFG = 3 and RESET_ONESHOT = 1 in the same register byte write.

Link and Video Lock

Link Lock

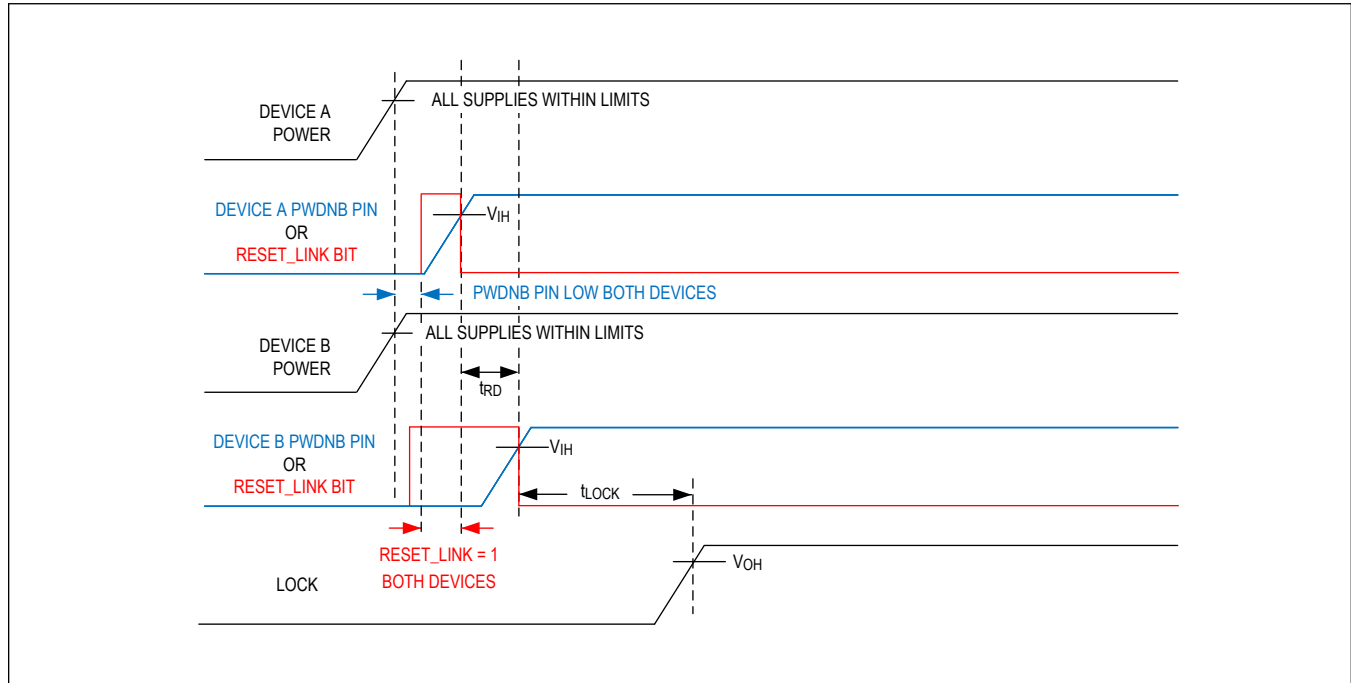


Figure 37. GMSL2 Lock Time

[Figure 37](#) illustrates the sequence that is used to characterize GMSL2 link lock time. Device A is the first device (serializer or deserializer) to power-up or resume operation from a RESET_LINK state. Device B is the device (deserializer or serializer) at the other end of the GMSL link.

Link lock indicates that the data receive paths are locked (forward channel in the deserializer, reverse channel in the serializer). Video and control channel functions (I²C/UART, SPI, GPIO, audio) can be used immediately after link lock is asserted.

The device will establish single link GMSL2 connectivity and link lock automatically following power-up. This is an indication that the cable is plugged in, and the system is up and running. Lock is obtained with no interaction between the μ C and GMSL devices. Both serializers and deserializers have an open-drain LOCK output pin and a related status register.

Dual-link and splitter configurations require additional user programming. For guidance on enabling these configurations and optimizing the lock time, contact the factory.

The GMSL2 link uses the crystal as the reference clock for GMSL2 links, so a valid video input (PCLK) is not needed for the GMSL2 link to lock.

Notes:

1. The lock sequence is initiated by the release of the PWDNB pin or the RESET_LINK bit in either the serializer or the deserializer.
2. The lock time is measured from the later of the PWDNB or the RESET_LINK release on either the serializer or the deserializer to LOCK being asserted.
3. The PWDNB/RESET_LINK states on the two sides of the link must have overlap when both the devices are in PWDNB/RESET_LINK mode prior to the lock process starting.
4. If RESET_LINK is used to initiate the lock, the PWDNB is assumed to be high after power-up (normal operation).
5. If PWDNB is used to initiate the lock, the RESET_LINK is assumed to be low after power-up (normal operation).
6. Device A is the first device (serializer or deserializer) to be powered up. Device B is the device (deserializer or serializer) at the other end of the GMSL link.

7. To achieve the specified lock time, time delay t_{RD} (delay between release of the PWDNB/RESET_LINK on the two devices), must be less than 90ms. If this timing cannot be guaranteed, contact the factory for guidance.
8. Lock time and maximum allowed t_{RD} vary between different families of GMSL devices. They depend on the characteristics of both the serializer and deserializer. The typical lock time of a specific link can be best estimated as the longer of the lock times specified in each device data sheet. Similarly, the maximum permission t_{RD} for a specific link can be estimated as the smaller of the values specified in each device data sheet. For further guidance, contact the factory.
9. If there is an instantaneous interruption to link lock, a period of 100ms following loss of lock should be provided to enable the link to automatically recover prior to any ECU initiated resets being issued. This will minimize any disruptions caused by a transient loss in connectivity.

Video Lock

Video lock bit indicates the deserializer is receiving valid video data. After the GMSL2 link is locked, the deserializer video output PLL starts its locking sequence. The deserializer normally starts outputting video data several milliseconds after it asserts line lock, provided it is receiving video packets from the serializer. The video lock status is typically read from a register. However, the deserializer LOCK pin behavior can be changed by a register setting so that the LOCK pin is asserted only when the deserializer is outputting video.

Error and Fault-Condition Monitoring

The MAX96716F deserializer has an open-drain, multipurpose error-reporting and interrupt status output. The active-low ERRB pin is driven by the logical OR of a wide variety of error and event status indicators. The ability of each error condition to drive ERRB is maskable by register settings. Each error and event that can drive ERRB has a status flag within a sub-block of registers, so the reason for assertion of ERRB can be determined by reading the register status. Errors can be automatically forwarded across the link from a serializer so that certain serializer errors, such as CSI-2 input-CRC, can be automatically flagged by the MAX96716F's ERRB output.

The following are key points for reference:

1. ERRB is enabled by default.
2. ERRB has a 40k pull-up to V_{DDIO} by default.
3. If the device powers down (PWDNB = 0 or undervoltage), ERRB transitions to an HiZ state.
4. For ERRB to go low in the power-down state, an external pull-down to ground is needed.

Clocking

The MAX96716F requires an external reference clock source to generate internal device clocks. The external reference can be a 25MHz crystal or oscillator with ± 200 ppm accuracy.

Spread-Spectrum Clocking

Spread-spectrum clocking is used to mitigate electromagnetic interference emitted from the devices. Narrow frequency peaks of the clock signal are reduced by modulating the internal 6GHz clock at a rate of 25kHz with a saw-tooth profile that extends the frequency by ± 1250 ppm.

Power Supplies

There is no required sequence to bring up the device power supplies. An on-chip power management block manages the power domains during power-up.

The MAX96716F provides flexible power supply configurations.

The 1V core supply can be provided directly or through an internal low dropout (LDO) regulator. To minimize power dissipation, connect $1.0V \pm 5\%$ to V_{DD} . If $V_{DD} < 1.1V$ and $CAP_VDD < 1.05V$, the regulator is automatically disabled at power-up and low-resistance switches connect V_{DD} to the internal supply rails. When using the internal LDO, connect $1.2V \pm 5\%$ to V_{DD} . Following power-up, write $REG_ENABLE = 1$, then write $REG_MNL = 1$ as part of the device initialization to enable the internal LDO.

The V_{DDIO} supply for the GPIO pins can be 1.8V to 3.3V for flexibility in accommodating devices interfacing to the part. The allowable supply voltage range is 1.7V (1.8V -5%) to 3.6V (3.3V +9%).

V_{DD18} is the analog supply. Connect 1.8V \pm 5%.

V_{TERM} is the D-PHY/C-PHY driver and termination supply. Connect 1.2V \pm 5%.

Power supply ramp-time recommendation: $20\mu\text{s} < \text{ramp time} < 2\text{ms}$. Power supply ramps must be monotonic. Once the supply voltage reaches the minimum supply voltage limit, it should not be allowed to drop below the specification.

Proper power supply bypassing of all supplies is essential for high-frequency circuit stability. See [Table 3](#). See [Table 2](#) for power supply tolerances and noise requirements. Contact the factory for guidance on sharing supplies and optimizing supply decoupling.

The MAX96716F provides extensive power supply diagnostics capabilities. Undervoltage detection is included for all power supplies. Moderate undervoltage conditions on the V_{DD18} and V_{DDIO} supply voltages can be indicated using either the ERRB pin or by reading the register field associated with the power supply undervoltage flag. The power manager detects an undervoltage condition on the V_{DD} supply, which can corrupt the register configuration, and cause a reset. Similarly, a severe undervoltage condition on V_{DD18} or V_{DDIO} also results in a reset. When a reset occurs, device configuration reverts to the power-up default state when the supplies have recovered, and the host device must initiate the power-on initialization procedure to return the device to full operation.

Overvoltage detection is also provided for all supply voltages except V_{DDIO} . As in the case of undervoltage events, the ERRB pin reports an overvoltage situation in addition to a dedicated internal interrupt flag. No further action is taken by the power manager during an overvoltage situation, and the device continues to operate normally, although it may sustain damage depending on the duration and magnitude of the overvoltage event.

When relying on the ERRB pin to convey the occurrence of an undervoltage event, connect an external 1M Ω resistor between the ERRB pin and ground, because ERRB is not a power-up default MFP function. As a result, following a reset triggered by an undervoltage event, the ERRB MFP pin reverts to high impedance as opposed to ERRB. During an error state, the host device expects ERRB to drive logic low, and the presence of the aforementioned resistor enables the appropriate logic level to be maintained following the reset, alerting the host device that attention is required.

Power Standby and Sleep Mode

A power manager block is present in all GMSL2 products. Its primary function is to monitor supply voltages, and control power-down (standby) and sleep modes.

There are two ways to enter low-power mode while all power supplies are active: asserting the PWDNB pin or invoking the sleep state. Both states offer very-low-power supply currents.

Asserting the PWDNB pin (active-low) places the device in standby power mode, and resets the digital registers and configurations to their default power-up conditions. Any supply dropping below its internal threshold settings also places the device in power-down mode.

The sleep state preserves critical register settings and configurations. Retained registers are detailed in the Register Table. The device can be put into the sleep state through an I²C/UART command. The resume state restores the device to the presleep condition without the need for additional register writes. Resume is invoked by an I²C command or a low-frequency clock beacon transmitted from the main device over the GMSL2 link. Note that GPIO levels set by received values from the other side of the link are not retained when entering Sleep mode. Disable GPIO receive and set GPIO values to known levels before entering Sleep mode.

PCB Layout Guidelines for GMSL

Proper circuit board design techniques are required for optimal GMSL link performance. This includes having at least a four-layer board to provide a proper ground plane reference, adequate thermal impedance, DC supply pin bypassing, power-over-coax or line-fault design, and high-speed GMSL trace impedance matching.

Ground Plane

A consistent ground plane, generally the second layer, is recommended to provide isolation from the high-speed GMSL traces, and other traces and components that can couple noise onto the GMSL signals. This also simplifies the design of impedance-matched transmission lines. The ground plane is also key to providing a low thermal impedance to the device's exposed paddle.

High-Speed GMSL Traces

Proper transmission-line design techniques are needed to achieve optimal GMSL link performance. The characteristic impedance must be closely matched to the desired impedance (50Ω single-ended or 100Ω differential). Any mismatch increases insertion-loss and causes reflections (degrade return-loss). The suggested layout practices are:

- Use only 100Ω differential or 50Ω single-ended traces.
- Minimize length of high-speed traces.
- Minimize pad stubs by placing component pads directly on the signal trace.
- Use ground cutouts under pads as required, (1.3x area of pad).
- Follow vendor layout recommendations for components, including connectors.
- Avoid sharp bends on high-speed traces.
- Place AC-coupling capacitors within 500mils of the SIOx pins.
- Place the GMSL device as close to the serial-link connector as possible to minimize insertion loss.
- Stitch ground layers together with vias near high-speed traces.

Power-Over-Coax (PoC) Layout

When used, the PoC circuit must provide a low DC-series resistance to the power supply while minimizing the loading of the GMSL forward and reverse signals. The PoC circuit wants to behave as a Bias-Tee, and this requires proper layout techniques for optimal GMSL link performance, including:

- Place the smallest valued inductor (highest SRF) on the GMSL signal trace.
- Place the next smallest valued inductor after the smallest.
- Use ground cutouts as needed under first two inductors and resistors. See [Figure 38](#).
- Place the PoC as close to the device as possible, within 1/2 UI (most important for the deserializer).

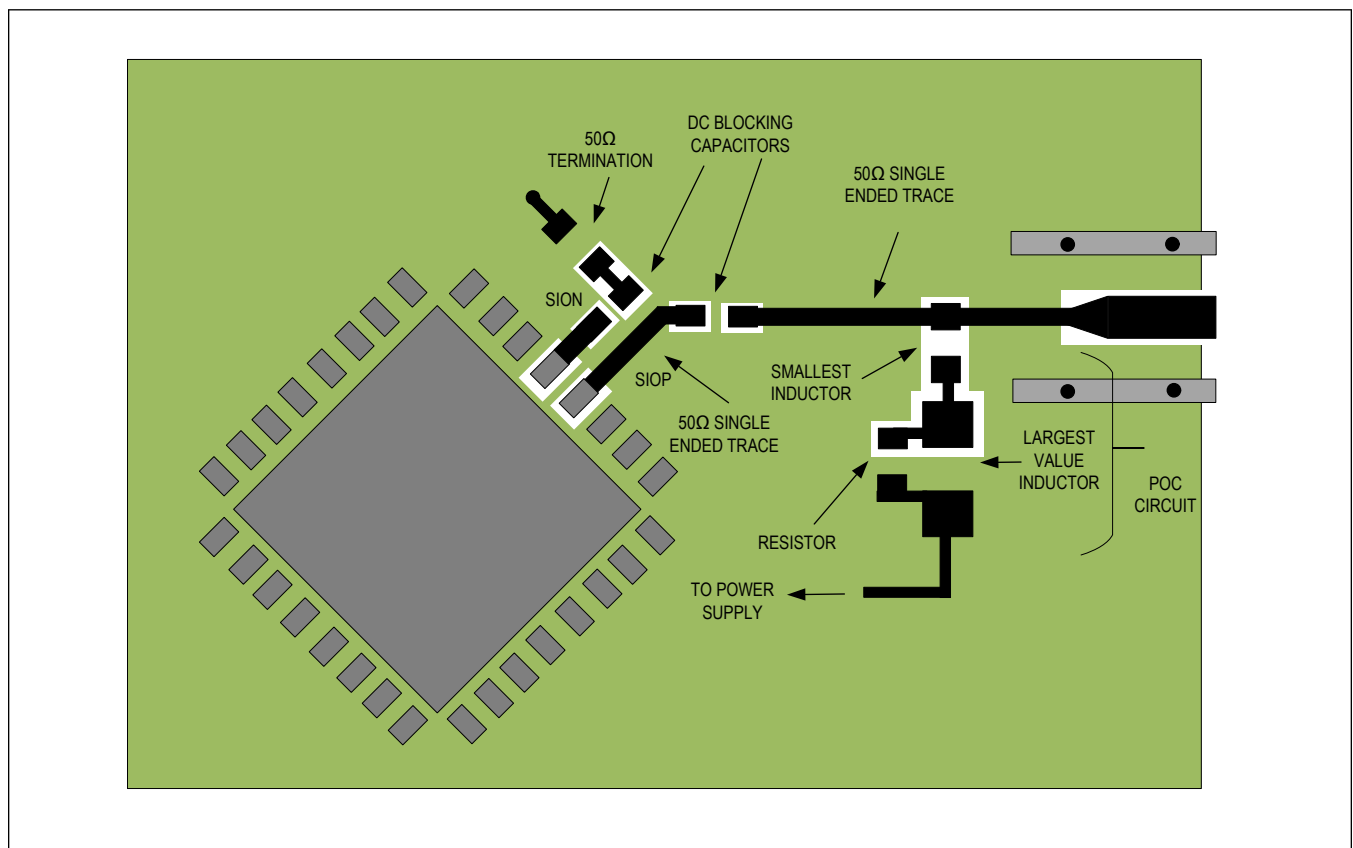


Figure 38. Coax PoC Layout Example

Shielded Twisted-Pair (STP) Layout

STP designs require the differential traces to closely maintain a differential impedance of 100Ω . Use ground cutouts under AC-coupling capacitors and line-fault resistors. See [Figure 39](#).

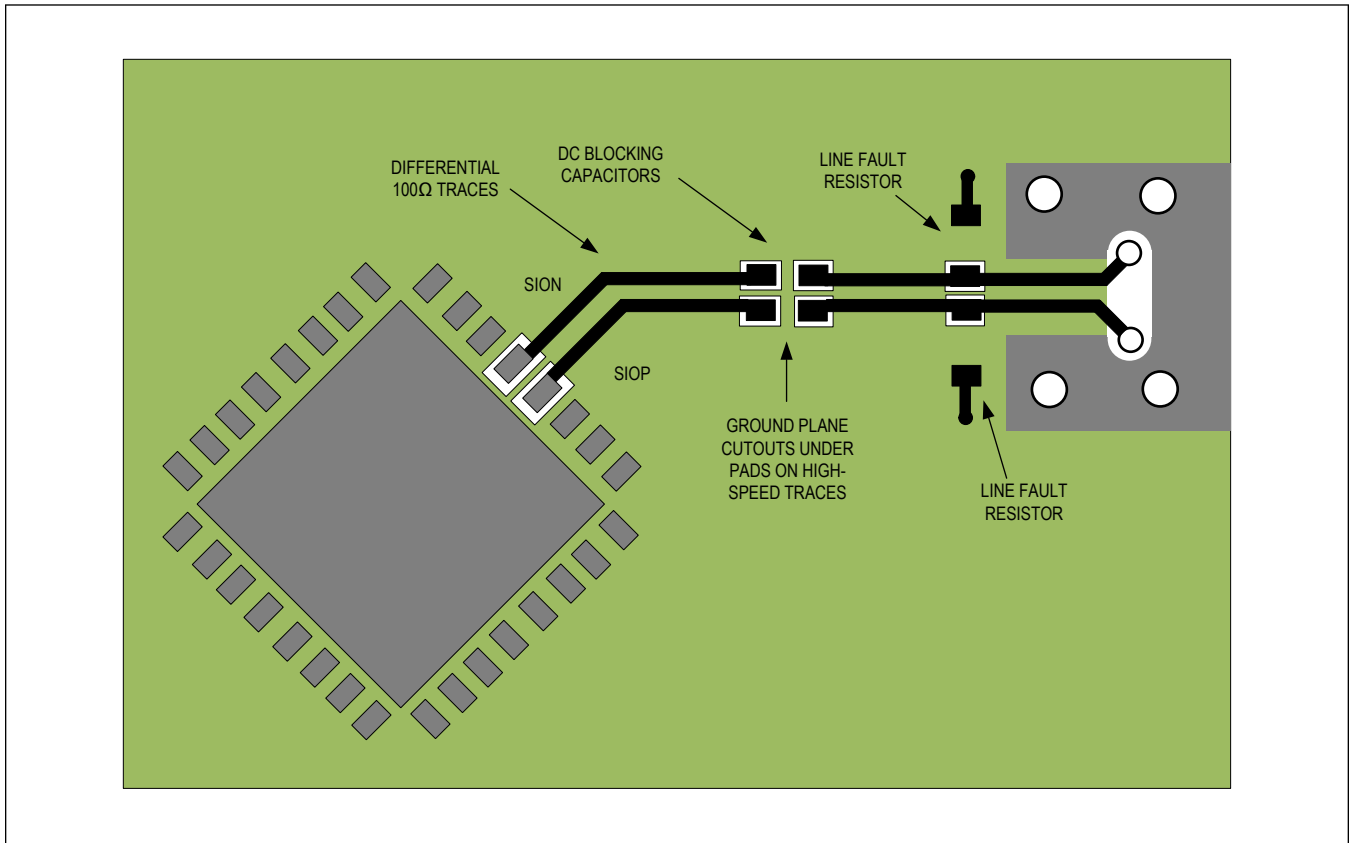


Figure 39. STP Layout Example

Thermal Management

Power consumption of GMSL2 devices varies based on use case. Take care to provide sufficient heat dissipation with proper board and cooling design techniques. The package exposed pad must be connected to the PCB ground plane by an array of vias. This approach simultaneously provides the lowest electrical and thermal impedances.

System thermal management must keep the operating junction temperature below $+125^{\circ}\text{C}$ to avoid impacting device reliability.

Refer to Tutorial 4083 (www.maximintegrated.com/thermal-tutorial) for further guidance.

Applications Information

Software Programming Model

Analog Devices' automotive serializers and deserializers follow a general software programming model. Except for features that require in-operation control-channel accesses such as ASIL safety measures and interrupt handling, use the following programming model:

1. Set the impacted functional blocks to disabled or reset mode. Place the part in IDLE state to stop all side-channel and video traffic, followed by a register write (RESET_LINK = 1) to stop the GMSL link.
2. Fully configure the settings for each feature before it is enabled.
3. Establish the link by setting RESET_LINK = 0 and wait for the link to lock.
4. Start video and side-channel traffic.

If changing the configuration of a feature during the operation of other features, disable the reconfigured feature, change its settings, and re-enable it.

Programming Notes

MANDATORY REGISTER PROGRAMMING

Make the following register writes to ensure proper operation. Without these writes, the operation of the device, as specified in the data sheet, cannot be guaranteed.

Set bits [6:4] = 3'b001 in register 0x302

If the part is used with $V_{DD} = 1.2V$, execute the following register writes during initialization:

Set bit [2] = '1' in register 0x10

Set bit [4] = '1' in register 0x12

Primary I²C/UART Tunnel

By default, the primary I²C/UART control channel is also sent to the remote-side device and any peripheral connections. This allows control of the GMSL devices from either end of the link. For multimain configurations, with microcontrollers connected to both the serializer and deserializer, disable the remote control-channel through register settings to prevent bus contention.

Control-Channel Programming

At power-up, GMSL2 device registers are accessed and configured only through the primary I²C/UART interface. The pass-through I²C/UART interfaces can be enabled for access to the device registers through register control.

Conventional I²C/UART Control-Channel Programming

Host-to-Peripheral Primary I²C and Pass-Through I²C Communication

When communicating between a host and peripheral, main and pass-through I²C operations are the same. A pass-through I²C across the GMSL2 link connects the host's I²C main to the peripheral's I²C subordinate. This logically connects separated I²C buses, enabling I²C transactions across the serial link to occur (with some delay) as if performed on the same physical I²C bus. The GMSL2 serializer and deserializer are intermediary devices; the host I²C main connects to a GMSL2 device I²C subordinate, and the peripheral I²C subordinate connects to a GMSL2 device I²C main. For example, when the host I²C main transacts on one side of the link (local-side), data is forwarded to the other side (remote-side) by the I²C subordinate of the local-side GMSL2 device. Data is then received by the I²C main of the remote-side GMSL2 device, which in turn generates the same I²C transaction with the peripheral subordinate I²C. The remote-side GMSL2 device sends back any I²C data expected by the local-side. Note, this device does not support pass-through I²C/UART channels to access the primary I²C/UART control-channel on the remote side.

The I²C interface uses clock stretching (holding SCL low) to account for timing differences between the main and subordinate, and to allow time for data to be forwarded and received across the serial link. All local-side I²C devices must support clock stretching by the GMSL2 device. Remote-side I²C devices are not required to support clock stretching.

SDA and SCL lines operate as both an input and open-drain output. Pull-up resistors are required on SDA and SCL. Each transmission consists of a START condition sent by a main, followed by the device's 7-bit subordinate address plus a R/W bit, register address bytes, one or more data bytes, and finally a STOP condition. Register addresses are 16 bits wide. Single or multiple data bytes can be written or read (by address auto-increments).

I²C Write Packet Format

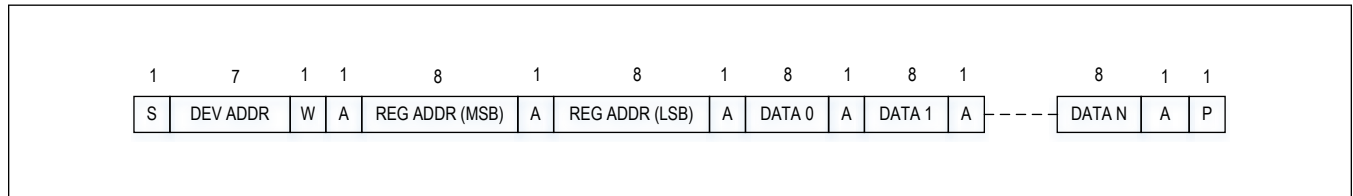


Figure 40. I²C Write Packet Format

I²C Read Packet Format

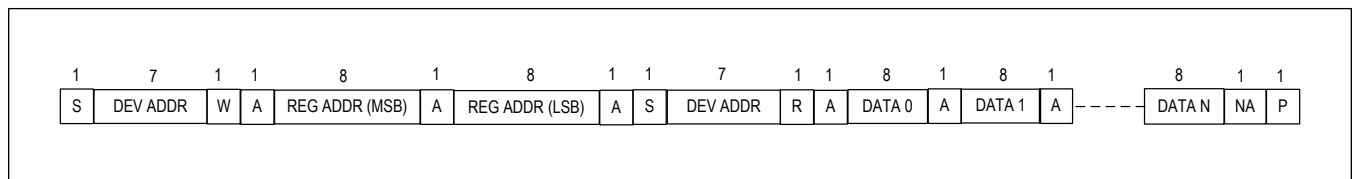


Figure 41. I²C Read Packet Format

Primary I²C Host-to-GMSL2 Device Communication

The primary I²C main has access to GMSL2 serializer and deserializer registers. The primary can program GMSL2 device registers to change the pass-through I²C/UART interface as I²C or UART.

Main UART

When the main I²C/UART is configured as a UART, there are two operating modes: Base and Bypass.

UART Base Mode

In Base mode, the microcontroller communicates with the serializer and deserializer, where registers in these and peripheral devices can be accessed. Base mode is typically enabled by default at power-up. In Base mode, the μC is the host and can access the registers of both the serializer and deserializer from either side of the link using the GMSL2 UART-packet protocol. The μC can also program the peripherals on the remote side by sending the UART packets to the serializer or deserializer. The μC communicates with a UART peripheral in Base mode (through INTTYPE register settings). The device addresses of the serializer and deserializer in this mode are programmable. In Base mode, the serializer, deserializer, and peripheral registers can be written and read using the half-duplex GMSL2 UART protocol. Base mode is enabled by default at power-up.

[Figure 42](#) shows the UART protocol for writing and reading in Base mode.

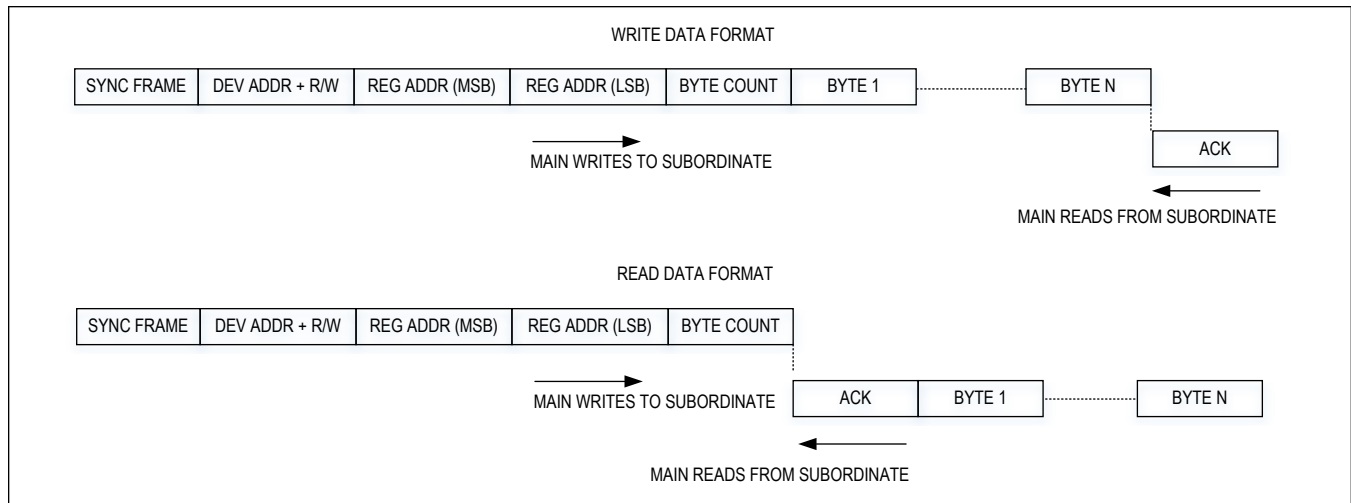


Figure 42. UART Protocol for Base Mode

UART Bypass Mode

In Bypass mode, the serializer/deserializer ignore UART commands from the μC , and the μC communicates only with the peripherals using its own defined UART protocol. The μC cannot access the serializer/deserializer's registers in this mode. The UART transitions are simply sent over the GMSL2 link. Ignoring UART transactions prevents inadvertent misprogramming of serializer and deserializer registers. The device addresses of the serializer and deserializer in this mode are not programmable.

Switching Between UART Base and Bypass Modes

There are two ways to switch between Base and Bypass modes: programming the BYPASS_TO register and using the device MS pin.

When setting Bypass mode through register, BYPASS_TO is programmed to have a timeout (2ms, 8ms, or 32ms). Bypass mode is active only as long as there is UART activity. When there is no UART activity for the selected timeout, both devices exit Bypass mode, and the bit is automatically cleared.

When in UART Bypass mode, random data may be output if link lock is lost. This issue can be avoided by not enabling UART Bypass mode until all initial device programming is completed.

When set by the MS pin, a high-level puts the device into Bypass mode, and a low-level puts the device in Base mode. MS is set on the fly and is not latched on power-up.

UART Frame Format

Regular UART frames with an even-parity bit are used to carry 1 byte of data each. A frame consists of a low-start bit followed by 8 data bits, a parity bit, and a high-stop bit. The parity bit is high if the number of 1s in the 8-bit data is odd; otherwise, it is low. There must be at least 1 high-stop bit. If the next frame is in the same packet, there can be no more than 4 high bits from the end of the stop bit to the beginning of the next start bit. Note that for a parity-bit error, the packet, starting from the frame with the error, is discarded. The start of each frame is always a high-to-low transition (i.e., stop-bit is high and start-bit is low). The phase of the internal UART bit clock is adjusted using the start-bit of each frame. The framer calibrates the length of 1 UART bit in terms of the internal oscillator clock using the synchronization frame (i.e., the first frame of a UART packet transmission). In Bypass mode, the parity bit is enabled by default, but the frames are not checked for parity errors. Either even or odd parity can be used. The parity bit is passed along with UART data transmissions; the recipient of the data must perform error checking. The parity bit can optionally be disabled before entering Bypass mode. Note that the bit rate in Bypass mode must be the same bit rate last used in Base mode. See [Figure 43](#).

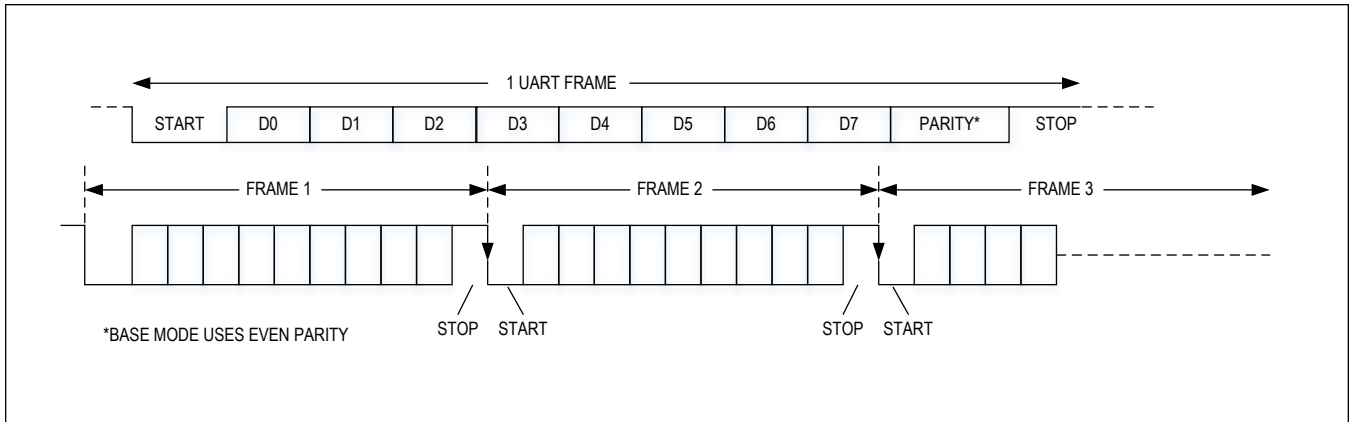


Figure 43. UART Data Format for Base Mode

Synchronization Frame

The serializer/deserializer must calibrate internal bit-length counters with the UART bit rate for proper recovery of UART frames. The μ C sends a synchronization frame (a regular UART frame with the value 0x79) as the first frame of each data packet. The synchronization frame allows the addressed device to calibrate the bit length in terms of the device’s internal 150 MHz clock. A synchronization frame must be properly detected before the subsequent frames of the packet can be correctly received. When the line stays high for at least 32 bits, the packet boundary is reset and the framer begins waiting for the next synchronization frame. See [Figure 44](#).

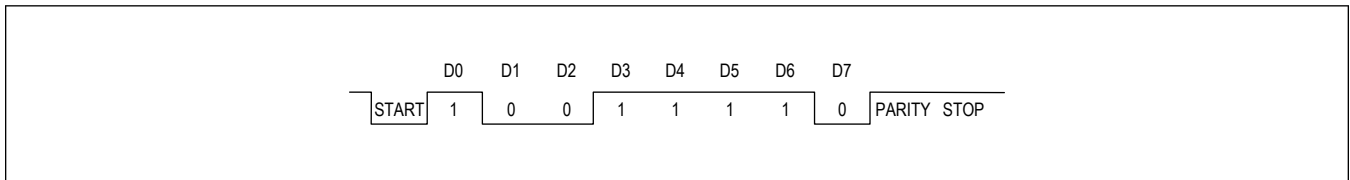


Figure 44. UART Synchronization Frame

Acknowledge Frame

When a packet is successfully received, the addressed device responds with an acknowledge frame to inform the μ C that no errors are detected in the transmitted packet. The acknowledge frame is sent after the last bit of a valid packet is received. The acknowledge frame is a regular UART frame (value 0xC3). Data written to the serializer/deserializer registers do not take effect until after the acknowledge byte is sent. See [Figure 45](#).

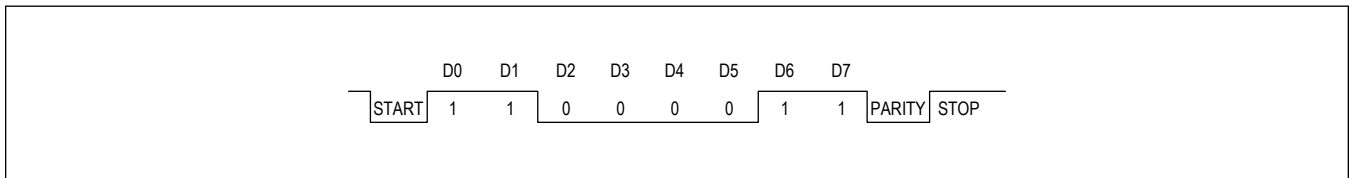


Figure 45. UART Acknowledge Frame

Write Packet

Write packets consist of a 5-byte packet header followed by 1 or more data bytes. A packet is recognized as a write packet when the LSB of the device address frame is 0. The addressed device responds with an Acknowledge frame if no errors are detected while receiving a valid write packet. Byte Count indicates the number of data bytes to be written; this number cannot be zero. See [Figure 46](#).

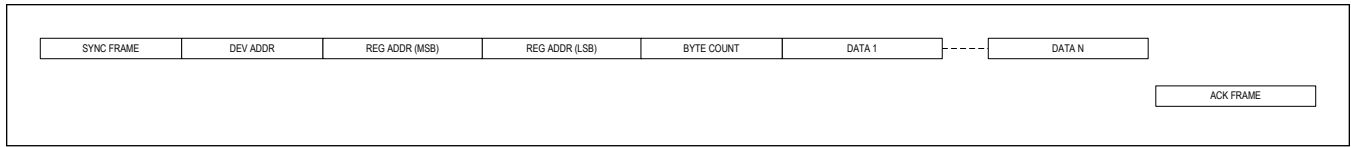


Figure 46. UART Write Packet Format

Read Packet

Read packets consist of 5 bytes. The LSB of the device address frame is 1 for read packets. If no errors are detected while receiving a valid read packet, the addressed device responds with an Acknowledge frame followed by 1 or more data bytes. Byte Count indicates the number of data bytes to be read; this number cannot be zero. See [Figure 47](#).

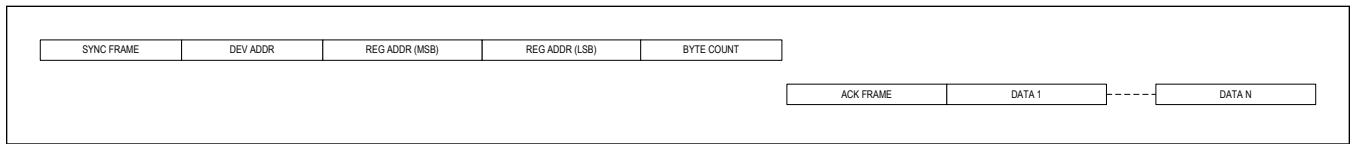


Figure 47. UART Read Packet Format

I²C/UART Control-Channel Programming with Optional CRC and Message Counter

The MAX96716F provides additional functional safety by adding an optional CRC to I²C/UART read/write transactions and a separate Message Counter for read and write packets. These features are disabled by default at power-up, but can be enabled by register settings. The CRC and Message Counter can be used together or individually. The CRC and Message Counter features only apply to device register read/write transactions and are not supported for pass-through traffic. The CRC and/or Message Counter can be enabled in the serializer, deserializer, or both.

I²C/UART CRC and Message Counter Options

At power-up, the I²C/UART CRC and Message Counter features are disabled by default in the MAX96716F. Both features can be enabled or disabled through register control.

I²C Writes with CRC

To provide additional functional safety for ADAS applications, the MAX96716F supports the addition of a CRC to I²C transactions. When enabled, the main μC must compute and send a CRC byte after each data byte. See [Figure 48](#). For each single-byte or multibyte write, the serializer first clears the CRC engine. The first CRC includes the device address byte, register address bytes, message counter bytes, and first data byte. For all following data bytes, the CRC engine is reset and the CRC byte covers the additional data byte. See [Figure 49](#) and [Figure 50](#). The serializer receives the data byte, calculates the CRC using an identical CRC engine, and verifies a match before accepting the data byte. If the CRCs do not match, a write is not accepted, a NACK is transmitted, and the error counter is triggered.

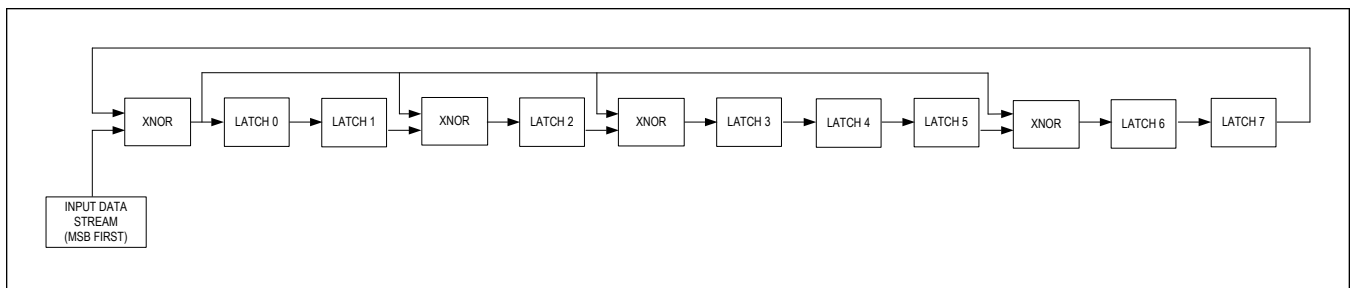


Figure 48. I²C CRC Engine

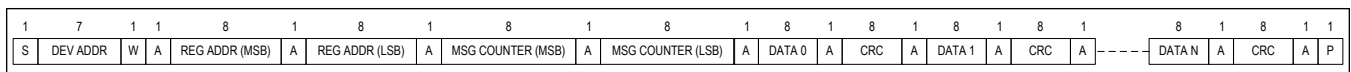


Figure 49. I²C Multiple-Byte Write with CRC

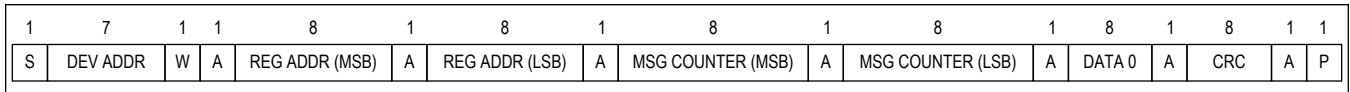


Figure 50. I²C Single-Byte Write with CRC

I²C Reads with CRC

For I²C reads of the MAX96716F's registers, the devices's CRC engine clears and then uses the outgoing device address byte, register address bytes, message counter bytes, and first data byte to calculate the CRC byte. This is added to the data stream directly after the corresponding data byte. The CRC engine is subsequently cleared again for all other data bytes. See Figure 51 and Figure 52. When the μ C receives the I²C read data, either through the MAX96716F or directly from the device on the other side of the link, the μ C's CRC engine should calculate a CRC byte for each data byte and compare with the transmitted CRC byte.

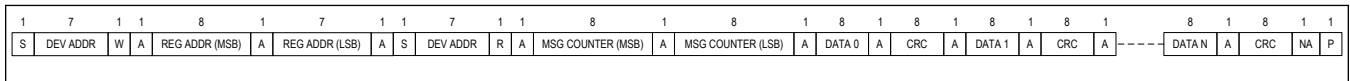


Figure 51. I²C Multiple-Byte Read with CRC

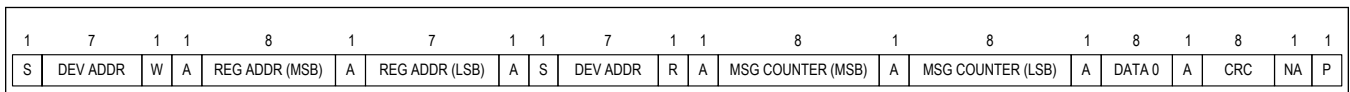


Figure 52. I²C Single-Byte Read with CRC

Message Counter Writes

An additional functional safety feature of the MAX96716F is a Message Counter, which can be used with the I²C/UART CRC feature. If enabled, the device expects a 2-byte message count from the μ C, indicating the number of writes being sent. The MAX96716F counts the number of write transactions and compares it with the count sent by the μ C. If the two counts match, the write is accepted. If the two counts do not match, the write is rejected, a NACK is sent in return, and the error counter is incremented. A programmable threshold for the error counter asserts ER RB, when reached.

Message Counter Reads

For read transactions, the MAX96716F sends the Message Counter value to the μ C along with the requested data. The μ C should compare the sent message count against its stored value and accept the data if the counts match. Note that a read transaction has a repeated start condition, with the device address byte sent twice. This results in each read transaction incrementing the Message Counter twice, once for each device address byte. If the two Message Counter values do not agree, the data should be rejected.

If a read is requested from the last used registers address, resulting in only one device address byte, the Message Counter is incremented once.

If the Message Counter values for the MAX96716F and μ C do not agree, the device's Message Counter can be reset using a register write and the μ C's counter should also be reset. If the μ C is reset, or if its Message Counter is reset for any reason, the devices' counter must be reset using a register write as well.

UART Writes with CRC

To provide additional functional safety for ADAS applications, the MAX96716F supports the addition of a CRC to UART transactions. When enabled, the main μ C must compute and send a CRC byte after each data byte. See Figure 53. For each single-byte or multibyte write, first clear the CRC engine. The first CRC includes the sync frame, device address byte, register address bytes, message counter bytes, and the first data byte. All bytes are sent LSB first. For all following data bytes, the CRC engine is reset, and the CRC byte covers the additional data byte. See Figure 54 and Figure 55. The MAX96716F receives the data byte, calculates the CRC using an identical CRC engine, and verifies a match before accepting the data byte. If the CRCs do not match, a write is not accepted, a NACK is transmitted, and the error counter is triggered.

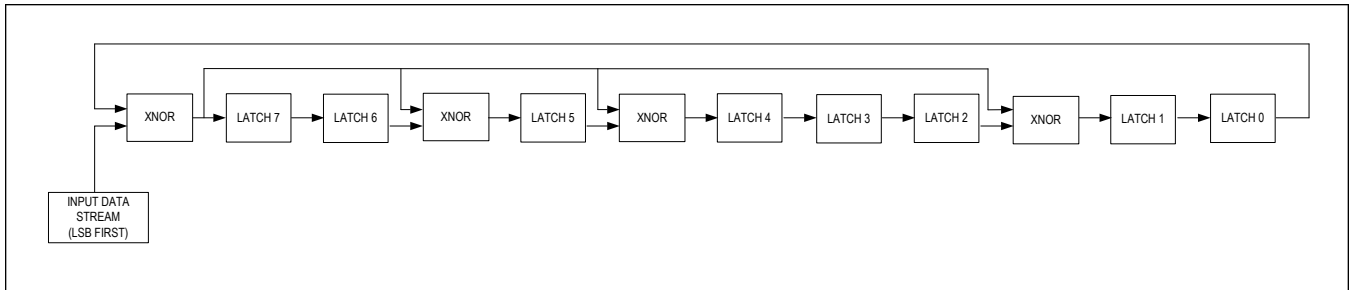


Figure 53. UART CRC Engine

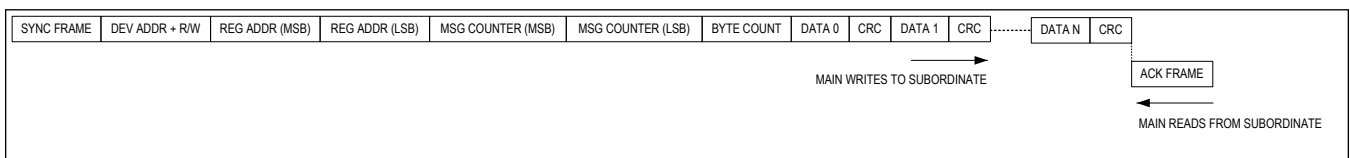


Figure 54. UART Multiple-Byte Write Transactions with CRC

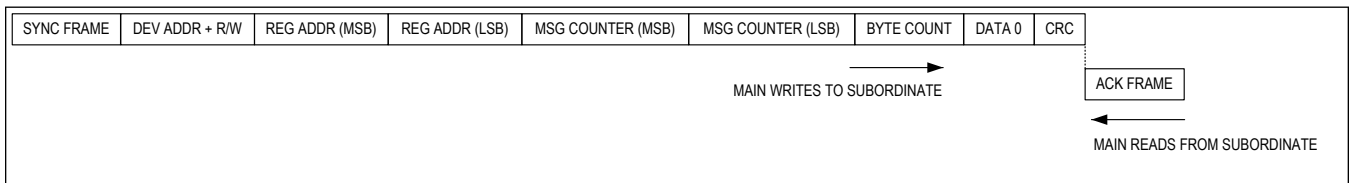


Figure 55. UART Single-Byte Write Transaction with CRC

UART Reads with CRC

For UART reads of MAX96716F's registers, the device's CRC engine clears and then uses the outgoing sync frame, device address byte, register address bytes, message counter bytes, and the first data byte to calculate the CRC byte. This is added to the data stream directly after the corresponding data byte. All bytes are sent LSB first. The CRC engine is subsequently cleared again for all other data bytes. See [Figure 56](#) and [Figure 57](#). When the μ C receives the UART read data, either through the serializer on the other side of the link or directly from the MAX96716F, the μ C's CRC engine can calculate a CRC byte for each data byte and compare with the transmitted CRC byte. The ACK frame is not included in the CRC calculation because the μ C is looking for the ACK value of 0xC3. If there is an error, the μ C treats the frame as a NACK and rejects the data. Note that the read command from the μ C does not include CRC.

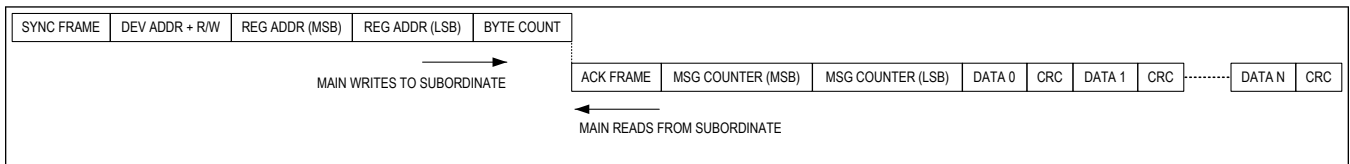


Figure 56. UART Multiple-Byte Read Transaction with CRC

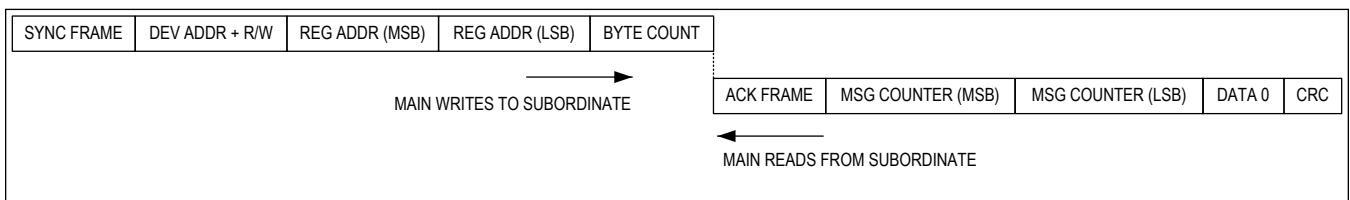
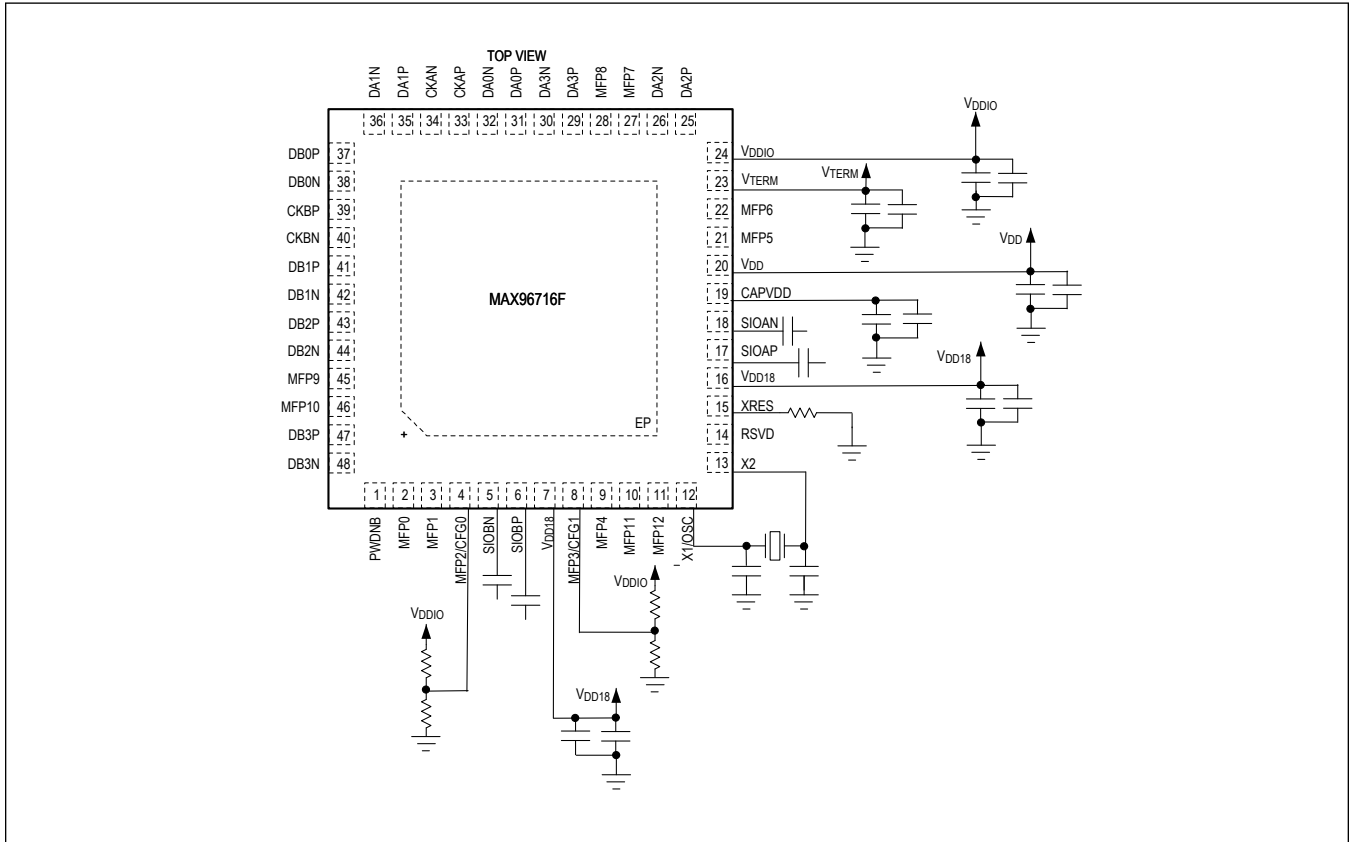


Figure 57. UART Single-Byte Read Transaction with CRC

Typical Application Circuits

See [Table 3](#).



Ordering Information

PART NUMBER	TEMP RANGE	PIN-PACKAGE
MAX96716FGTM/VY+	-40°C to +105°C	48 TQFN wettable flank
MAX96716FGTM/VY+T	-40°C to +105°C	48 TQFN wettable flank

+ Denotes a lead(Pb)-free/RoHS-compliant package.

T = Tape and reel.

/V Denotes automotive qualified.

Y Denotes wettable flank.

Register Map

Reserved, Unused, and Read-Only Register Bits

Not all register bits in the register space are shown in the register table. Any bit not explicitly defined in the register table should be treated as reserved and not be modified. When a write is required to a register with both defined and undefined register bits, first read the register's contents, then create a new register value by only changing the defined bits, and finally, write the new byte to the register (Read/Replace/Write).

In this document, default values are provided for read-only register bits. Read-only bit states are changed at power-up according to the actual state of the device. To avoid overwriting these bits, treat read-only bits as undefined.

See [Programming Notes section for important mandatory register writes on start-up](#).

Note: *Indicates the register is stored when entering sleep mode and is restored upon exit.

ADDRESS	RESET	NAME	MSB							LSB	
DEV											
0x00	0x90	REG0[7:0]	DEV_ADDR[6:0]							CFG_BLOCK	
0x01	0x02	REG1[7:0]	IIC_2_EN	IIC_1_EN	DIS_LO_CAL_CC	DIS_REM_CC	TX_RATE[1:0]		RX_RATE[1:0]		
0x02	0x63	REG2[7:0]	–	VID_EN_Z	VID_EN_Y	–	–	–	RSVD	RSVD	
0x03	0x53	REG3[7:0]	LOCK_CFG	PT_SWAPP	UART_2_EN	UART_1_EN	–	DIS_REM_CC_B	RSVD	RSVD	
0x04	0xC2	REG4[7:0]	RSVD	RSVD	RSVD	RSVD	TX_RATE_B[1:0]		RX_RATE_B[1:0]		
0x05	0xC0	REG5[7:0]	LOCK_EN	ERRB_EN	LOCK_ALT_EN	RSVD	PU_LF3	PU_LF2	PU_LF1	PU_LF0	
0x06	0xC0	REG6[7:0]	RSVD	RSVD	RSVD	I2CSEL	RSVD[3:0]				
0x07	0x27	REG7[7:0]	CMP_VT ERM_STATUS	–	RSVD[5:0]						
0x0D	0xB6	REG13[7:0]	DEV_ID[7:0]								
0x0E	0x03	REG14[7:0]	RSVD[3:0]				DEV_REV[3:0]				
0x26	0x22	REG26[7:0]	–	LF_1[2:0]			–	LF_0[2:0]			
0x27	0x22	REG27[7:0]	–	LF_3[2:0]			–	LF_2[2:0]			
0x38	0x00	IO_CHK0[7:0]	PIN_DRV_EN_0[7:0]								
OVERLAP											
TCTRL											
0x08	0x00	PWR0[7:0]	VDDBAD_STATUS[2:0]			CMP_STATUS[4:0]					
0x09	0x00	PWR1[7:0]	RSVD	RSVD	PORZ_STATUS[5:0]						
0x0C	0x15	PWR4[7:0]	RSVD	DIS_LO_CAL_WAKE	WAKE_EN_B	WAKE_EN_A	RSVD[3:0]				
0x10	0x11	CTRL0[7:0]	RESET_ALL	RESET_LINK	RESET_ONESHOT	AUTO_LINK	SLEEP	REG_ENABLE	LINK_CFG[1:0]		
0x11	0x0A	CTRL1[7:0]	RSVD	RSVD	RSVD	–	RSVD	CXTP_B	RSVD	CXTP_A	

ADDRESS	RESET	NAME	MSB							LSB	
0x12	0x04	CTRL2[7:0]	RSVD	RSVD	RESET_ONESHOT_B	REG_MNL	RSVD[1:0]		RSVD[1:0]		
0x13	0x10	CTRL3[7:0]	RSVD	RSVD	LINK_MODE[1:0]		LOCKED	ERROR	CMU_LOCKED	RESET_LINK_B	
0x18	0xA0	INTR0[7:0]	RSVD	RSVD	RSVD	-	AUTO_ERR_RST_EN	DEC_ERR_THR[2:0]			
0x19	0x00	INTR1[7:0]	PKT_CNT_EXP[3:0]				AUTO_CNT_RST_EN	PKT_CNT_THR[2:0]			
0x1A	0x0B	INTR2[7:0]	RSVD	RSVD	REM_ERR_OEN	RSVD	LFLT_INT_OEN	IDLE_ERR_OEN	DEC_ERR_OEN_B	DEC_ERR_OEN_A	
0x1B	0x00	INTR3[7:0]	RSVD	RSVD	REM_ERR_FLAG	RSVD	LFLT_INT	IDLE_ERR_FLAG	DEC_ERR_FLAG_B	DEC_ERR_FLAG_A	
0x1C	0x09	INTR4[7:0]	EOM_ERR_OEN_B	EOM_ERR_OEN_A	FEC_RX_ERR_OEN	-	MAX_RT_OEN	RT_CNT_OEN	PKT_CNT_OEN	WM_ERR_OEN	
0x1D	0x00	INTR5[7:0]	EOM_ERR_FLAG_B	EOM_ERR_FLAG_A	FEC_RX_ERR_FLAG	-	MAX_RT_FLAG	RT_CNT_FLAG	PKT_CNT_FLAG	WM_ERR_FLAG	
0x1E	0x1C	INTR6[7:0]	VDDCMP_INT_OEN	RSVD	VDDBAD_INT_OEN	FSYNC_ERR_OEN	LCRC_ERR_OEN	VPRBS_ERR_OEN	-	VID_PXL_CRC_ERR_OEN	
0x1F	0x00	INTR7[7:0]	VDDCMP_INT_FLAG	RSVD	VDDBAD_INT_FLAG	FSYNC_ERR_FLAG	LCRC_ERR_FLAG	VPRBS_ERR_FLAG	-	VID_PXL_CRC_ERR	
0x20	0xFF	INTR8[7:0]	ERR_TX_EN	RSVD	ERR_TX_EN_B	ERR_TX_ID[4:0]					
0x21	0xFF	INTR9[7:0]	ERR_RX_EN	RSVD	ERR_RX_EN_B	ERR_RX_ID[4:0]					
0x22	0x00	CNT0[7:0]	DEC_ERR_A[7:0]								
0x23	0x00	CNT1[7:0]	DEC_ERR_B[7:0]								
0x24	0x00	CNT2[7:0]	IDLE_ERR[7:0]								
0x25	0x00	CNT3[7:0]	PKT_CNT[7:0]								
GMSL											
0x28	0x60	TX0[7:0]	RSVD[1:0]		RSVD	RSVD	-	-	RX_FEC_EN	RSVD	
0x29	0x08	TX1[7:0]	LINK_PBS_GEN	RSVD	-	ERRG_EN_A	RSVD	RSVD	RSVD	RSVD	
0x2A	0x20	TX2[7:0]	ERRG_CNT[1:0]		ERRG_RATE[1:0]		ERRG_BURST[2:0]		ERRG_PER		
0x2B	0x44	TX3[7:0]	RSVD[1:0]		RX_FEC_ACTIVE	RSVD	-	RSVD[2:0]			
0x2C	0x00	RX0[7:0]	PKT_CNT_LBW[1:0]		RSVD	RSVD	PKT_CNT_SEL[3:0]				
0x2D	0x28	RX1[7:0]	LINK_PBS_CHK	RSVD	RSVD[1:0]		RSVD[1:0]		RSVD	RSVD	
0x2F	0x00	RX3[7:0]	-	-	-	RSVD	RSVD	RSVD	RSVD	RSVD	

ADDRESS	RESET	NAME	MSB							LSB
0x30	0x41	GPIOA[7:0]	RSVD	RSVD	GPIO_FWD_CDLY[5:0]					
0x31	0x88	GPIOB[7:0]	GPIO_TX_WNDW[1:0]		GPIO_REV_CDLY[5:0]					
CC										
0x40	0x26	I2C_0[7:0]	-	-	SLV_SH[1:0]		-	SLV_TO[2:0]		
0x41	0x56	I2C_1[7:0]	RSVD	MST_BT[2:0]			-	MST_TO[2:0]		
0x42	0x00	I2C_2[7:0]	SRC_A[6:0]							-
0x43	0x00	I2C_3[7:0]	DST_A[6:0]							-
0x44	0x00	I2C_4[7:0]	SRC_B[6:0]							-
0x45	0x00	I2C_5[7:0]	DST_B[6:0]							-
0x47	0x00	I2C_7[7:0]	UART_RX_OVERFLOW	UART_TX_OVERFLOW	-	-	-	I2C_TIMED_OUT	REM_ACK_ACKED	REM_ACK_RECVD
0x48	0x42	UART_0[7:0]	RSVD[1:0]		REM_MS_EN	LOC_MS_EN	BYPASS_DIS_PARR	BYPASS_TO[1:0]		BYPASS_EN
0x49	0x96	UART_1[7:0]	BITLEN_LSB[7:0]							
0x4A	0x80	UART_2[7:0]	OUT_DELAY[1:0]		BITLEN_MSB[5:0]					
0x4C	0x26	I2C_PT_0[7:0]	-	-	SLV_SH_PT[1:0]		-	SLV_TO_PT[2:0]		
0x4D	0x56	I2C_PT_1[7:0]	RSVD	MST_BT_PT[2:0]			-	MST_TO_PT[2:0]		
0x4E	0x00	I2C_PT_2[7:0]	RSVD	I2C_TIMED_OUT_2	RSVD	RSVD	RSVD	I2C_TIMED_OUT_1	RSVD	RSVD
0x4F	0x88	UART_PT_0[7:0]	BITLEN_MAN_CFG_2	DIS_PARR_2	RSVD	RSVD	BITLEN_MAN_CFG_1	DIS_PARR_1	RSVD	RSVD
CFGH VIDEO_X										
0x50	0x00	RX0[7:0]	RX_CRC_EN	-	-	-	-	-	STR_SEL[1:0]	
CFGH VIDEO_Y										
0x51	0x01	RX0[7:0]	RX_CRC_EN	-	-	-	-	-	STR_SEL[1:0]	
CFGH VIDEO_Z										
0x52	0x02	RX0[7:0]	RX_CRC_EN	-	-	-	-	-	STR_SEL[1:0]	
CFGH VIDEO_U										
0x53	0x03	RX0[7:0]	RX_CRC_EN	-	-	-	-	-	STR_SEL[1:0]	
CFGH INFOFR										
0x60	0xF0	TR0[7:0]	TX_CRC_EN	RX_CRC_EN	RSVD[1:0]		PRIO_VAL[1:0]		PRIO_CFG[1:0]	
0x61	0xB0	TR1[7:0]	BW_MULT[1:0]			BW_VAL[5:0]				
0x63	0x00	TR3[7:0]	-	-	-	-	-	TX_SRC_ID[2:0]		
0x64	0xFF	TR4[7:0]	RX_SRC_SEL[7:0]							

ADDRESS	RESET	NAME	MSB							LSB
CFGL SPI										
0x68	0xF0	TR0[7:0]	TX_CRC_EN	RX_CRC_EN	RSVD[1:0]		PRIO_VAL[1:0]		PRIO_CFG[1:0]	
0x69	0xB0	TR1[7:0]	BW_MULT[1:0]		BW_VAL[5:0]					
0x6B	0x00	TR3[7:0]	-	-	-	-	-	TX_SRC_ID[2:0]		
0x6C	0xFF	TR4[7:0]	RX_SRC_SEL[7:0]							
0x6D	0x98	ARQ0[7:0]	RSVD	RSVD	MATCH_SRC_ID	ACK_SRC_ID	EN	DIS_DBL_ACK_R_ETX	-	-
0x6E	0x72	ARQ1[7:0]	-	MAX_RT[2:0]			-	-	MAX_RT_ERR_OEN	RT_CNT_OEN
0x6F	0x00	ARQ2[7:0]	MAX_RT_ERR	RT_CNT[6:0]						
CFGC CC										
0x70	0xF0	TR0[7:0]	TX_CRC_EN	RX_CRC_EN	RSVD[1:0]		PRIO_VAL[1:0]		PRIO_CFG[1:0]	
0x71	0xB0	TR1[7:0]	BW_MULT[1:0]		BW_VAL[5:0]					
0x73	0x00	TR3[7:0]	-	-	-	-	-	TX_SRC_ID[2:0]		
0x74	0xFF	TR4[7:0]	RX_SRC_SEL[7:0]							
0x75	0x98	ARQ0[7:0]	RSVD	RSVD	MATCH_SRC_ID	ACK_SRC_ID	EN	DIS_DBL_ACK_R_ETX	-	-
0x76	0x72	ARQ1[7:0]	-	MAX_RT[2:0]			-	-	MAX_RT_ERR_OEN	RT_CNT_OEN
0x77	0x00	ARQ2[7:0]	MAX_RT_ERR	RT_CNT[6:0]						
CFGL GPIO										
0x78	0xF0	TR0[7:0]	TX_CRC_EN	RX_CRC_EN	RSVD[1:0]		PRIO_VAL[1:0]		PRIO_CFG[1:0]	
0x79	0xB0	TR1[7:0]	BW_MULT[1:0]		BW_VAL[5:0]					
0x7B	0x00	TR3[7:0]	-	-	-	-	-	TX_SRC_ID[2:0]		
0x7C	0xFF	TR4[7:0]	RX_SRC_SEL[7:0]							
0x7D	0x98	ARQ0[7:0]	RSVD	RSVD	MATCH_SRC_ID	ACK_SRC_ID	EN	DIS_DBL_ACK_R_ETX	-	-
0x7E	0x72	ARQ1[7:0]	-	MAX_RT[2:0]			-	-	MAX_RT_ERR_OEN	RT_CNT_OEN
0x7F	0x00	ARQ2[7:0]	MAX_RT_ERR	RT_CNT[6:0]						
CFGC IIC_X										
0x80	0xF0	TR0[7:0]	TX_CRC_EN	RX_CRC_EN	RSVD[1:0]		PRIO_VAL[1:0]		PRIO_CFG[1:0]	
0x81	0xB0	TR1[7:0]	BW_MULT[1:0]		BW_VAL[5:0]					
0x83	0x00	TR3[7:0]	-	-	-	-	-	TX_SRC_ID[2:0]		
0x84	0xFF	TR4[7:0]	RX_SRC_SEL[7:0]							

ADDRESS	RESET	NAME	MSB							LSB	
0x85	0x98	ARQ0[7:0]	RSVD	RSVD	MATCH_SRC_ID	ACK_SRC_ID	EN	DIS_DBL_ACK_RETX	-	-	
0x86	0x72	ARQ1[7:0]	-	MAX_RT[2:0]			-	-	MAX_RT_ERR_OEN	RT_CNT_OEN	
0x87	0x00	ARQ2[7:0]	MAX_RT_ERR	RT_CNT[6:0]							
CFG_C IIC_Y											
0x88	0xF0	TR0[7:0]	TX_CRC_EN	RX_CRC_EN	RSVD[1:0]		PRIO_VAL[1:0]		PRIO_CFG[1:0]		
0x89	0xB0	TR1[7:0]	BW_MULT[1:0]		BW_VAL[5:0]						
0x8B	0x00	TR3[7:0]	-	-	-	-	-	TX_SRC_ID[2:0]			
0x8C	0xFF	TR4[7:0]	RX_SRC_SEL[7:0]								
0x8D	0x98	ARQ0[7:0]	RSVD	RSVD	MATCH_SRC_ID	ACK_SRC_ID	EN	DIS_DBL_ACK_RETX	-	-	
0x8E	0x72	ARQ1[7:0]	-	MAX_RT[2:0]			-	-	MAX_RT_ERR_OEN	RT_CNT_OEN	
0x8F	0x00	ARQ2[7:0]	MAX_RT_ERR	RT_CNT[6:0]							
VID_RX Y											
0x112	0x32	VIDEO_RX0[7:0]	LCRC_ERR	RSVD	RSVD	RSVD	RSVD	LINE_CRC_SEL	LINE_CRC_EN	DIS_PKT_DET	
0x115	0x40	VIDEO_RX3[7:0]	RSVD	HD_TR_MODE	DLOCKED	VLOCKED	HLOCKED	DTRACK_EN	VTRACK_EN	HTRACK_EN	
0x118	0x02	VIDEO_RX6[7:0]	RSVD[2:0]			RSVD	LIM_HEART	-	RSVD	RSVD	
0x11A	0x02	VIDEO_RX8[7:0]	VID_BLK_LEN_ERR	VID_LOCK	VID_PKT_DET	VID_SEQ_ERR	RSVD[3:0]				
0x11C	0x00	VIDEO_RX10[7:0]	VID_OVERFLOW	MASK_VIDEO_DE	RSVD[5:0]						
VID_RX Z											
0x124	0x32	VIDEO_RX0[7:0]	LCRC_ERR	RSVD	RSVD	RSVD	RSVD	LINE_CRC_SEL	LINE_CRC_EN	DIS_PKT_DET	
0x127	0x40	VIDEO_RX3[7:0]	RSVD	HD_TR_MODE	DLOCKED	VLOCKED	HLOCKED	DTRACK_EN	VTRACK_EN	HTRACK_EN	
0x12A	0x02	VIDEO_RX6[7:0]	RSVD[2:0]			RSVD	LIM_HEART	-	RSVD	RSVD	
0x12C	0x02	VIDEO_RX8[7:0]	VID_BLK_LEN_ERR	VID_LOCK	VID_PKT_DET	VID_SEQ_ERR	RSVD[3:0]				
0x12E	0x00	VIDEO_RX10[7:0]	VID_OVERFLOW	MASK_VIDEO_DE	RSVD[5:0]						

ADDRESS	RESET	NAME	MSB							LSB
VIDEO_PIPE_SEL										
0x160	0x03	VIDEO_PIPE_EN[7:0]	-	-	-	-	-	-	-	VIDEO_PIPE_EN[1:0]
0x161	0x32	VIDEO_PIPE_SEL[7:0]	-	-	VIDEO_PIPE_SEL_Z[2:0]			VIDEO_PIPE_SEL_Y[2:0]		
0x162	0x00	LINK_SEL[7:0]	-	-	-	-	SPI_LINK_SELECT	UART_2_LINK_SELECT	UART_1_LINK_SELECT	UART_0_LINK_SELECT
SPI										
0x170	0x08	SPI_0[7:0]	SPI_LOC_ID[1:0]		SPI_CC_TRG_ID[1:0]	SPI_IGNR_ID	SPI_CC_EN	MST_SLVN	SPI_EN	
0x171	0x1D	SPI_1[7:0]	SPI_LOC_N[5:0]						SPI_BASE_PRIO[1:0]	
0x172	0x03	SPI_2[7:0]	REQ_HOLD_OFF[2:0]			FULL_SCK_SETUP	SPI_M0D3_F	SPI_M0D3	SPIM_S2_ACT_H	SPIM_S1_ACT_H
0x173	0x00	SPI_3[7:0]	SPIM_SS_DLY_CLKS[7:0]							
0x174	0x00	SPI_4[7:0]	SPIM_SCK_LO_CLKS[7:0]							
0x175	0x00	SPI_5[7:0]	SPIM_SCK_HI_CLKS[7:0]							
0x176	0x00	SPI_6[7:0]	-	-	BNE	SPIS_RWN	SS_IO_EN_2	SS_IO_EN_1	BNE_IO_EN	RWN_IO_EN
0x177	0x00	SPI_7[7:0]	SPI_RX_OVRFLW	SPI_TX_OVRFLW	RO_ALT	SPIS_BYTE_CNT[4:0]				
0x178	0x00	SPI_8[7:0]	REQ_HOLD_OFF_TO[7:0]							
WM										
0x190	0x00	WM_0[7:0]	WM_LEN	WM_MODE[2:0]			WM_DET[1:0]		-	WM_EN
0x192	0x50	WM_2[7:0]	-	RSVD[2:0]			HsyncPol	VsyncPol	WM_NPFILT[1:0]	
0x194	0x10	WM_4[7:0]	-	-	RSVD[1:0]		RSVD	-	WM_MASKMODE[1:0]	
0x195	0x00	WM_5[7:0]	-	-	-	-	-	RSVD	WM_DETOUT	WM_ERROR
0x196	0x00	WM_6[7:0]	WM_TIMER[7:0]							
0x1AE	0x00	WM_WREN_0[7:0]	WM_WREN_L[7:0]							
0x1AF	0x00	WM_WREN_1[7:0]	WM_WREN_H[7:0]							
VRX Y										
0x1E0	0x00	CROSS_0[7:0]	-	CROSS0_I	CROSS0_F	CROSS0[4:0]				
0x1E1	0x01	CROSS_1[7:0]	-	CROSS1_I	CROSS1_F	CROSS1[4:0]				
0x1E2	0x02	CROSS_2[7:0]	-	CROSS2_I	CROSS2_F	CROSS2[4:0]				
0x1E3	0x03	CROSS_3[7:0]	-	CROSS3_I	CROSS3_F	CROSS3[4:0]				

ADDRESS	RESET	NAME	MSB					LSB
0x1E4	0x04	CROSS_4[7:0] 	-	CROSS4 _I	CROSS4 _F			CROSS4[4:0]
0x1E5	0x05	CROSS_5[7:0] 	-	CROSS5 _I	CROSS5 _F			CROSS5[4:0]
0x1E6	0x06	CROSS_6[7:0] 	-	CROSS6 _I	CROSS6 _F			CROSS6[4:0]
0x1E7	0x07	CROSS_7[7:0] 	-	CROSS7 _I	CROSS7 _F			CROSS7[4:0]
0x1E8	0x08	CROSS_8[7:0] 	-	CROSS8 _I	CROSS8 _F			CROSS8[4:0]
0x1E9	0x09	CROSS_9[7:0] 	-	CROSS9 _I	CROSS9 _F			CROSS9[4:0]
0x1EA	0x0A	CROSS_10[7:0] 	-	CROSS1 0_I	CROSS1 0_F			CROSS10[4:0]
0x1EB	0x0B	CROSS_11[7:0] 	-	CROSS1 1_I	CROSS1 1_F			CROSS11[4:0]
0x1EC	0x0C	CROSS_12[7:0] 	-	CROSS1 2_I	CROSS1 2_F			CROSS12[4:0]
0x1ED	0x0D	CROSS_13[7:0] 	-	CROSS1 3_I	CROSS1 3_F			CROSS13[4:0]
0x1EE	0x0E	CROSS_14[7:0] 	-	CROSS1 4_I	CROSS1 4_F			CROSS14[4:0]
0x1EF	0x0F	CROSS_15[7:0] 	-	CROSS1 5_I	CROSS1 5_F			CROSS15[4:0]
0x1F0	0x10	CROSS_16[7:0] 	-	CROSS1 6_I	CROSS1 6_F			CROSS16[4:0]
0x1F1	0x11	CROSS_17[7:0] 	-	CROSS1 7_I	CROSS1 7_F			CROSS17[4:0]
0x1F2	0x12	CROSS_18[7:0] 	-	CROSS1 8_I	CROSS1 8_F			CROSS18[4:0]
0x1F3	0x13	CROSS_19[7:0] 	-	CROSS1 9_I	CROSS1 9_F			CROSS19[4:0]
0x1F4	0x14	CROSS_20[7:0] 	-	CROSS2 0_I	CROSS2 0_F			CROSS20[4:0]
0x1F5	0x15	CROSS_21[7:0] 	-	CROSS2 1_I	CROSS2 1_F			CROSS21[4:0]
0x1F6	0x16	CROSS_22[7:0] 	-	CROSS2 2_I	CROSS2 2_F			CROSS22[4:0]
0x1F7	0x17	CROSS_23[7:0] 	-	CROSS2 3_I	CROSS2 3_F			CROSS23[4:0]
0x1F8	0x18	CROSS_HS[7:0] 	-	CROSS_ HS_I	CROSS_ HS_F			CROSS_HS[4:0]
0x1F9	0x19	CROSS_VS[7:0] 	-	CROSS_ VS_I	CROSS_ VS_F			CROSS_VS[4:0]
0x1FA	0x1A	CROSS_DE[7:0] 	-	CROSS_ DE_I	CROSS_ DE_F			CROSS_DE[4:0]
0x1FB	0x00	PRBS_ERR[7:0] 						VPRBS_ERR[7:0]

ADDRESS	RESET	NAME	MSB							LSB
0x1FC	0x80	VPRBS[7:0]	PATGEN _CLK_S RC	-	VPRBS_ FAIL	VPRBS_ CHK_EN	-	-	RSVD	VIDEO_ LOCK
0x1FD	0x1B	CROSS_27[7:0]	RSVD	CROSS2 7_I	CROSS2 7_F	CROSS27[4:0]				
0x1FE	0x1C	CROSS_28[7:0]	-	CROSS2 8_I	CROSS2 8_F	CROSS28[4:0]				
0x1FF	0x1D	CROSS_29[7:0]	-	CROSS2 9_I	CROSS2 9_F	CROSS29[4:0]				
VRX Z										
0x200	0x00	CROSS_0[7:0]	-	CROSS0 _I	CROSS0 _F	CROSS0[4:0]				
0x201	0x01	CROSS_1[7:0]	-	CROSS1 _I	CROSS1 _F	CROSS1[4:0]				
0x202	0x02	CROSS_2[7:0]	-	CROSS2 _I	CROSS2 _F	CROSS2[4:0]				
0x203	0x03	CROSS_3[7:0]	-	CROSS3 _I	CROSS3 _F	CROSS3[4:0]				
0x204	0x04	CROSS_4[7:0]	-	CROSS4 _I	CROSS4 _F	CROSS4[4:0]				
0x205	0x05	CROSS_5[7:0]	-	CROSS5 _I	CROSS5 _F	CROSS5[4:0]				
0x206	0x06	CROSS_6[7:0]	-	CROSS6 _I	CROSS6 _F	CROSS6[4:0]				
0x207	0x07	CROSS_7[7:0]	-	CROSS7 _I	CROSS7 _F	CROSS7[4:0]				
0x208	0x08	CROSS_8[7:0]	-	CROSS8 _I	CROSS8 _F	CROSS8[4:0]				
0x209	0x09	CROSS_9[7:0]	-	CROSS9 _I	CROSS9 _F	CROSS9[4:0]				
0x20A	0x0A	CROSS_10[7:0]	-	CROSS1 0_I	CROSS1 0_F	CROSS10[4:0]				
0x20B	0x0B	CROSS_11[7:0]	-	CROSS1 1_I	CROSS1 1_F	CROSS11[4:0]				
0x20C	0x0C	CROSS_12[7:0]	-	CROSS1 2_I	CROSS1 2_F	CROSS12[4:0]				
0x20D	0x0D	CROSS_13[7:0]	-	CROSS1 3_I	CROSS1 3_F	CROSS13[4:0]				
0x20E	0x0E	CROSS_14[7:0]	-	CROSS1 4_I	CROSS1 4_F	CROSS14[4:0]				
0x20F	0x0F	CROSS_15[7:0]	-	CROSS1 5_I	CROSS1 5_F	CROSS15[4:0]				
0x210	0x10	CROSS_16[7:0]	-	CROSS1 6_I	CROSS1 6_F	CROSS16[4:0]				
0x211	0x11	CROSS_17[7:0]	-	CROSS1 7_I	CROSS1 7_F	CROSS17[4:0]				
0x212	0x12	CROSS_18[7:0]	-	CROSS1 8_I	CROSS1 8_F	CROSS18[4:0]				
0x213	0x13	CROSS_19[7:0]	-	CROSS1 9_I	CROSS1 9_F	CROSS19[4:0]				

ADDRESS	RESET	NAME	MSB							LSB	
0x214	0x14	CROSS_20[7:0]	-	CROSS2_0_I	CROSS2_0_F	CROSS20[4:0]					
0x215	0x15	CROSS_21[7:0]	-	CROSS2_1_I	CROSS2_1_F	CROSS21[4:0]					
0x216	0x16	CROSS_22[7:0]	-	CROSS2_2_I	CROSS2_2_F	CROSS22[4:0]					
0x217	0x17	CROSS_23[7:0]	-	CROSS2_3_I	CROSS2_3_F	CROSS23[4:0]					
0x218	0x18	CROSS_HS[7:0]	-	CROSS_HS_I	CROSS_HS_F	CROSS_HS[4:0]					
0x219	0x19	CROSS_VS[7:0]	-	CROSS_VS_I	CROSS_VS_F	CROSS_VS[4:0]					
0x21A	0x1A	CROSS_DE[7:0]	-	CROSS_DE_I	CROSS_DE_F	CROSS_DE[4:0]					
0x21B	0x00	PRBS_ERR[7:0]	VPRBS_ERR[7:0]								
0x21C	0x80	VPRBS[7:0]	PATGEN_CLK_SRC	-	VPRBS_FAIL	VPRBS_CHK_EN	-	-	RSVD	VIDEO_LOCK	
0x21D	0x1B	CROSS_27[7:0]	RSVD	CROSS2_7_I	CROSS2_7_F	CROSS27[4:0]					
0x21E	0x1C	CROSS_28[7:0]	-	CROSS2_8_I	CROSS2_8_F	CROSS28[4:0]					
0x21F	0x1D	CROSS_29[7:0]	-	CROSS2_9_I	CROSS2_9_F	CROSS29[4:0]					
VRX_PATGEN_0											
0x240	0x03	PATGEN_0[7:0]	GEN_VS	GEN_HS	GEN_DE	VS_INV	HS_INV	DE_INV	VTG_MODE[1:0]		
0x241	0x00	PATGEN_1[7:0]	GRAD_MODE	-	PATGEN_MODE[1:0]		-	-	-	VS_TRIGGER	
0x242	0x00	VS_DLY_2[7:0]	VS_DLY_2[7:0]								
0x243	0x00	VS_DLY_1[7:0]	VS_DLY_1[7:0]								
0x244	0x00	VS_DLY_0[7:0]	VS_DLY_0[7:0]								
0x245	0x00	VS_HIGH_2[7:0]	VS_HIGH_2[7:0]								
0x246	0x00	VS_HIGH_1[7:0]	VS_HIGH_1[7:0]								
0x247	0x00	VS_HIGH_0[7:0]	VS_HIGH_0[7:0]								
0x248	0x00	VS_LOW_2[7:0]	VS_LOW_2[7:0]								
0x249	0x00	VS_LOW_1[7:0]	VS_LOW_1[7:0]								
0x24A	0x00	VS_LOW_0[7:0]	VS_LOW_0[7:0]								
0x24B	0x00	V2H_2[7:0]	V2H_2[7:0]								

ADDRESS	RESET	NAME	MSB						LSB
0x24C	0x00	V2H_1[7:0]							V2H_1[7:0]
0x24D	0x00	V2H_0[7:0]							V2H_0[7:0]
0x24E	0x00	HS_HIGH_1[7:0]							HS_HIGH_1[7:0]
0x24F	0x00	HS_HIGH_0[7:0]							HS_HIGH_0[7:0]
0x250	0x00	HS_LOW_1[7:0]							HS_LOW_1[7:0]
0x251	0x00	HS_LOW_0[7:0]							HS_LOW_0[7:0]
0x252	0x00	HS_CNT_1[7:0]							HS_CNT_1[7:0]
0x253	0x00	HS_CNT_0[7:0]							HS_CNT_0[7:0]
0x254	0x00	V2D_2[7:0]							V2D_2[7:0]
0x255	0x00	V2D_1[7:0]							V2D_1[7:0]
0x256	0x00	V2D_0[7:0]							V2D_0[7:0]
0x257	0x00	DE_HIGH_1[7:0]							DE_HIGH_1[7:0]
0x258	0x00	DE_HIGH_0[7:0]							DE_HIGH_0[7:0]
0x259	0x00	DE_LOW_1[7:0]							DE_LOW_1[7:0]
0x25A	0x00	DE_LOW_0[7:0]							DE_LOW_0[7:0]
0x25B	0x00	DE_CNT_1[7:0]							DE_CNT_1[7:0]
0x25C	0x00	DE_CNT_0[7:0]							DE_CNT_0[7:0]
0x25D	0x00	GRAD_INCR[7:0]							GRAD_INCR[7:0]
0x25E	0x00	CHKR_COLO R_A_L[7:0]							CHKR_COLOR_A_L[7:0]
0x25F	0x00	CHKR_COLO R_A_M[7:0]							CHKR_COLOR_A_M[7:0]
0x260	0x00	CHKR_COLO R_A_H[7:0]							CHKR_COLOR_A_H[7:0]
0x261	0x00	CHKR_COLO R_B_L[7:0]							CHKR_COLOR_B_L[7:0]
0x262	0x00	CHKR_COLO R_B_M[7:0]							CHKR_COLOR_B_M[7:0]
0x263	0x00	CHKR_COLO R_B_H[7:0]							CHKR_COLOR_B_H[7:0]
0x264	0x00	CHKR_RPT_ A[7:0]							CHKR_RPT_A[7:0]
0x265	0x00	CHKR_RPT_ B[7:0]							CHKR_RPT_B[7:0]
0x266	0x00	CHKR_ALT[7:0]							CHKR_ALT[7:0]

ADDRESS	RESET	NAME	MSB							LSB
GPIO0 0										
0x2B0	0x83	GPIO_A[7:0]	RES_CFG	RSVD	TX_COM P_EN	GPIO_O UT	GPIO_IN	GPIO_R X_EN	GPIO_T X_EN	GPIO_O UT_DIS
0x2B1	0xA0	GPIO_B[7:0]	PULL_UPDN_SEL[1 :0]		OUT_TY PE	GPIO_TX_ID[4:0]				
0x2B2	0x40	GPIO_C[7:0]	OVR_RE S_CFG	GPIO_R ECVED	–	GPIO_RX_ID[4:0]				
GPIO1 1										
0x2B3	0x84	GPIO_A[7:0]	RES_CFG	RSVD	TX_COM P_EN	GPIO_O UT	GPIO_IN	GPIO_R X_EN	GPIO_T X_EN	GPIO_O UT_DIS
0x2B4	0xA1	GPIO_B[7:0]	PULL_UPDN_SEL[1 :0]		OUT_TY PE	GPIO_TX_ID[4:0]				
0x2B5	0x41	GPIO_C[7:0]	OVR_RE S_CFG	RSVD	–	GPIO_RX_ID[4:0]				
GPIO2 2										
0x2B6	0x81	GPIO_A[7:0]	RES_CFG	RSVD	TX_COM P_EN	GPIO_O UT	GPIO_IN	GPIO_R X_EN	GPIO_T X_EN	GPIO_O UT_DIS
0x2B7	0x22	GPIO_B[7:0]	PULL_UPDN_SEL[1 :0]		OUT_TY PE	GPIO_TX_ID[4:0]				
0x2B8	0x42	GPIO_C[7:0]	OVR_RE S_CFG	RSVD	–	GPIO_RX_ID[4:0]				
GPIO3 3										
0x2B9	0x81	GPIO_A[7:0]	RES_CFG	RSVD	TX_COM P_EN	GPIO_O UT	GPIO_IN	GPIO_R X_EN	GPIO_T X_EN	GPIO_O UT_DIS
0x2BA	0x23	GPIO_B[7:0]	PULL_UPDN_SEL[1 :0]		OUT_TY PE	GPIO_TX_ID[4:0]				
0x2BB	0x43	GPIO_C[7:0]	OVR_RE S_CFG	RSVD	–	GPIO_RX_ID[4:0]				
GPIO4 4										
0x2BC	0x81	GPIO_A[7:0]	RES_CFG	RSVD	TX_COM P_EN	GPIO_O UT	GPIO_IN	GPIO_R X_EN	GPIO_T X_EN	GPIO_O UT_DIS
0x2BD	0xA4	GPIO_B[7:0]	PULL_UPDN_SEL[1 :0]		OUT_TY PE	GPIO_TX_ID[4:0]				
0x2BE	0x44	GPIO_C[7:0]	OVR_RE S_CFG	RSVD	–	GPIO_RX_ID[4:0]				
GPIO5 5										
0x2BF	0x84	GPIO_A[7:0]	RES_CFG	RSVD	TX_COM P_EN	GPIO_O UT	GPIO_IN	GPIO_R X_EN	GPIO_T X_EN	GPIO_O UT_DIS
0x2C0	0xA5	GPIO_B[7:0]	PULL_UPDN_SEL[1 :0]		OUT_TY PE	GPIO_TX_ID[4:0]				
0x2C1	0x45	GPIO_C[7:0]	OVR_RE S_CFG	RSVD	–	GPIO_RX_ID[4:0]				
GPIO6 6										
0x2C2	0x83	GPIO_A[7:0]	RES_CFG	RSVD	TX_COM P_EN	GPIO_O UT	GPIO_IN	GPIO_R X_EN	GPIO_T X_EN	GPIO_O UT_DIS
0x2C3	0xA6	GPIO_B[7:0]	PULL_UPDN_SEL[1 :0]		OUT_TY PE	GPIO_TX_ID[4:0]				

ADDRESS	RESET	NAME	MSB							LSB
0x2C4	0x46	GPIO_C[7:0]	OVR_RE S_CFG	RSVD	–	GPIO_RX_ID[4:0]				
GPIO7 7										
0x2C5	0x81	GPIO_A[7:0]	RES_CF G	RSVD	TX_COM P_EN	GPIO_O UT	GPIO_IN	GPIO_R X_EN	GPIO_T X_EN	GPIO_O UT_DIS
0x2C6	0xA7	GPIO_B[7:0]	PULL_UPDN_SEL[1 :0]		OUT_TY PE	GPIO_TX_ID[4:0]				
0x2C7	0x47	GPIO_C[7:0]	OVR_RE S_CFG	RSVD	–	GPIO_RX_ID[4:0]				
GPIO8 8										
0x2C8	0x81	GPIO_A[7:0]	RES_CF G	RSVD	TX_COM P_EN	GPIO_O UT	GPIO_IN	GPIO_R X_EN	GPIO_T X_EN	GPIO_O UT_DIS
0x2C9	0xA8	GPIO_B[7:0]	PULL_UPDN_SEL[1 :0]		OUT_TY PE	GPIO_TX_ID[4:0]				
0x2CA	0x48	GPIO_C[7:0]	OVR_RE S_CFG	RSVD	–	GPIO_RX_ID[4:0]				
GPIO9 9										
0x2CB	0x81	GPIO_A[7:0]	RES_CF G	RSVD	TX_COM P_EN	GPIO_O UT	GPIO_IN	GPIO_R X_EN	GPIO_T X_EN	GPIO_O UT_DIS
0x2CC	0xA9	GPIO_B[7:0]	PULL_UPDN_SEL[1 :0]		OUT_TY PE	GPIO_TX_ID[4:0]				
0x2CD	0x49	GPIO_C[7:0]	OVR_RE S_CFG	RSVD	–	GPIO_RX_ID[4:0]				
GPIO10 10										
0x2CE	0x81	GPIO_A[7:0]	RES_CF G	RSVD	TX_COM P_EN	GPIO_O UT	GPIO_IN	GPIO_R X_EN	GPIO_T X_EN	GPIO_O UT_DIS
0x2CF	0xAA	GPIO_B[7:0]	PULL_UPDN_SEL[1 :0]		OUT_TY PE	GPIO_TX_ID[4:0]				
0x2D0	0x4A	GPIO_C[7:0]	OVR_RE S_CFG	RSVD	–	GPIO_RX_ID[4:0]				
GPIO11 11										
0x2D1	0x81	GPIO_A[7:0]	RES_CF G	RSVD	TX_COM P_EN	GPIO_O UT	GPIO_IN	GPIO_R X_EN	GPIO_T X_EN	GPIO_O UT_DIS
0x2D2	0xAB	GPIO_B[7:0]	PULL_UPDN_SEL[1 :0]		OUT_TY PE	GPIO_TX_ID[4:0]				
0x2D3	0x4B	GPIO_C[7:0]	OVR_RE S_CFG	RSVD	–	GPIO_RX_ID[4:0]				
GPIO12 12										
0x2D4	0x81	GPIO_A[7:0]	RES_CF G	RSVD	TX_COM P_EN	GPIO_O UT	GPIO_IN	GPIO_R X_EN	GPIO_T X_EN	GPIO_O UT_DIS
0x2D5	0xAC	GPIO_B[7:0]	PULL_UPDN_SEL[1 :0]		OUT_TY PE	GPIO_TX_ID[4:0]				
0x2D6	0x4C	GPIO_C[7:0]	OVR_RE S_CFG	RSVD	–	GPIO_RX_ID[4:0]				
CMU										
0x302	0x00	CMU2[7:0]	RSVD	PFDDIV_RSHORT[2:0]			RSVD	RSVD[1:0]		RSVD

ADDRESS	RESET	NAME	MSB							LSB
BACKTOP										
0x308	0x01	BACKTOP1[7:0]	CSIPLLU_LOCK	CSIPLLZ_LOCK	CSIPLLY_LOCK	CSIPLLX_LOCK	LINE_SPL2	-	RSVD	BACKTOP_EN
0x30B	0x00	BACKTOP4[7:0]	VS_VC2_L[7:0]							
0x30C	0x00	BACKTOP5[7:0]	VS_VC2_H[7:0]							
0x30D	0x00	BACKTOP6[7:0]	VS_VC3_L[7:0]							
0x30E	0x00	BACKTOP7[7:0]	VS_VC3_H[7:0]							
0x312	0x00	BACKTOP11[7:0]	-	cmd_ove_rflow3	cmd_ove_rflow2	-	-	LMO_Z	LMO_Y	-
0x313	0x02	BACKTOP12[7:0]	-	-	-	-	-	RSVD	CSI_OUT_EN	RSVD
0x314	0x00	BACKTOP13[7:0]	soft_vc_y[3:0]				-	-	-	-
0x315	0x00	BACKTOP14[7:0]	-	-	-	-	soft_vc_z[3:0]			
0x316	0x00	BACKTOP15[7:0]	soft_dt_y_h[1:0]		-	-	-	-	-	-
0x317	0x00	BACKTOP16[7:0]	soft_dt_z_h[3:0]				soft_dt_y_l[3:0]			
0x318	0x00	BACKTOP17[7:0]	-	-	-	-	-	-	soft_dt_z_l[1:0]	
0x319	0x00	BACKTOP18[7:0]	soft_bpp_z_h[2:0]			soft_bpp_y[4:0]				
0x31A	0x00	BACKTOP19[7:0]	-	-	-	-	-	-	soft_bpp_z_l[1:0]	
0x31B	0x00	BACKTOP20[7:0]	phy0_csi_tx_dpll_fb_fraction_in_l[7:0]							
0x31C	0x00	BACKTOP21[7:0]	-	bpp8dblz	bpp8dbly	-	phy0_csi_tx_dpll_fb_fraction_in_h[3:0]			
0x31D	0x2F	BACKTOP22[7:0]	override_bpp_vc_dty	-	phy0_csi_tx_dpll_fb_fraction_predef_en	phy0_csi_tx_dpll_predef_freq[4:0]				
0x31E	0x00	BACKTOP23[7:0]	phy1_csi_tx_dpll_fb_fraction_in_l[7:0]							
0x31F	0x00	BACKTOP24[7:0]	-	bpp8dblz_mode	bpp8dbly_mode	-	phy1_csi_tx_dpll_fb_fraction_in_h[3:0]			
0x320	0x2F	BACKTOP25[7:0]	-	override_bpp_vc_dtz	phy1_csi_tx_dpll_fb_fraction_predef_en	phy1_csi_tx_dpll_predef_freq[4:0]				
0x321	0x00	BACKTOP26[7:0]	phy2_csi_tx_dpll_fb_fraction_in_l[7:0]							

ADDRESS	RESET	NAME	MSB							LSB
0x322	0x00	BACKTOP27[7:0]	yuv_8_10_mux_mode4	yuv_8_10_mux_mode3	yuv_8_10_mux_mode2	yuv_8_10_mux_mode1	phy2_csi_tx_dpll_fb_fraction_in_h[3:0]			
0x323	0x2F	BACKTOP28[7:0]	-	-	phy2_csi_tx_dpll_fb_fraction_predef_en	phy2_csi_tx_dpll_predef_freq[4:0]				
0x324	0x00	BACKTOP29[7:0]	phy3_csi_tx_dpll_fb_fraction_in_l[7:0]							
0x325	0x00	BACKTOP30[7:0]	BACKTOP_W_FRAME	-	-	-	phy3_csi_tx_dpll_fb_fraction_in_h[3:0]			
0x326	0x2F	BACKTOP31[7:0]	-	-	phy3_csi_tx_dpll_fb_fraction_predef_en	phy3_csi_tx_dpll_predef_freq[4:0]				
0x327	0x00	BACKTOP32[7:0]	-	bpp10dbl_z_mode	bpp10dbl_y_mode	-	-	bpp10dbl_z	bpp10dbl_y	-
0x328	0x00	BACKTOP33[7:0]	-	-	-	-	-	bpp12dbl_z	bpp12dbl_y	-
MIPI_PHY										
0x330	0x04	MIPI_PHY0[7:0]	force_csi_out_en	RSVD	RSVD	phy_1x4_b_22	phy_1x4_a_22	phy_2x4	RSVD	phy_4x2
0x331	0x00	MIPI_PHY1[7:0]	t_hs_przero[1:0]		t_hs_prep[1:0]		RSVD[1:0]		t_clk_przero[1:0]	
0x332	0xF4	MIPI_PHY2[7:0]	phy_Stdbyn[3:0]				t_lpx[1:0]		t_hs_trail[1:0]	
0x333	0x4E	MIPI_PHY3[7:0]	phy1_lane_map[3:0]				phy0_lane_map[3:0]			
0x334	0xE4	MIPI_PHY4[7:0]	phy3_lane_map[3:0]				phy2_lane_map[3:0]			
0x335	0x00	MIPI_PHY5[7:0]	t_clk_prep[1:0]		phy1_pol_map[2:0]			phy0_pol_map[2:0]		
0x336	0x00	MIPI_PHY6[7:0]	phy_cp1	phy_cp0	phy3_pol_map[2:0]			phy2_pol_map[2:0]		
0x339	0x00	MIPI_PHY9[7:0]	phy_cp0_dst[1:0]		-	RSVD	RSVD	-	RSVD	phy_cp0_overflow
0x33A	0x02	MIPI_PHY10[7:0]	phy_cp0_src[1:0]		RSVD[2:0]			-	RSVD	phy_cp0_underflow
0x33B	0x00	MIPI_PHY11[7:0]	phy_cp1_dst[1:0]		RSVD[2:0]			-	RSVD	phy_cp1_overflow
0x33C	0x02	MIPI_PHY12[7:0]	phy_cp1_src[1:0]		RSVD[2:0]			-	RSVD	phy_cp1_underflow
0x33D	0x00	MIPI_PHY13[7:0]	-	-	t_t3_prebegin[5:0]					

ADDRESS	RESET	NAME	MSB							LSB	
0x33E	0x11	MIPI_PHY14[7:0]	-	t_t3_post[4:0]						t_t3_prep[1:0]	
0x33F	0x00	MIPI_PHY15[7:0]	-	-	-	-	RST_MIPITX_LOC[3:0]				
0x340	0x00	MIPI_PHY16[7:0]	-	-	TUN_DATA_CRC_ERR_OEN	TUN_EC_C_UNCORR_ERROEN	TUN_EC_C_CORR_ERR_OEN	-	-	VID_OVERFLOW_OEN	
0x341	0x00	MIPI_PHY17[7:0]	-	-	TUN_DATA_CRC_ERR	TUN_EC_C_UNCORR_ERROEN	TUN_EC_C_CORR_ERR	-	-	VID_OVERFLOW_FLAG	
0x342	0x00	MIPI_PHY18[7:0]	csi2_tx2_pkt_cnt[3:0]				csi2_tx1_pkt_cnt[3:0]				
0x343	0x00	MIPI_PHY19[7:0]	csi2_dup2_pkt_cnt[3:0]				csi2_dup1_pkt_cnt[3:0]				
0x344	0x00	MIPI_PHY20[7:0]	phy1_pkt_cnt[3:0]				phy0_pkt_cnt[3:0]				
0x345	0x00	MIPI_PHY21[7:0]	phy3_pkt_cnt[3:0]				phy2_pkt_cnt[3:0]				
FSYNC											
0x3E0	0x0E	FSYNC_0[7:0]	EN_OVERFLOW_RST_FS	RSVD	FSYNC_OUT_PIN	EN_VSGEN	FSYNC_MODE[1:0]		FSYNC_METH[1:0]		
0x3E1	0x00	FSYNC_1[7:0]	RSVD[1:0]		RSVD[1:0]		FSYNC_PER_DIV[3:0]				
0x3E2	0x81	FSYNC_2[7:0]	MST_LINK_SEL[2:0]			K_VAL_SIGN	K_VAL[3:0]				
0x3E3	0x00	FSYNC_3[7:0]	P_VAL_L[7:0]								
0x3E4	0x00	FSYNC_4[7:0]	-	-	P_VAL_SIGN	P_VAL_H[4:0]					
0x3E5	0x00	FSYNC_5[7:0]	FSYNC_PERIOD_L[7:0]								
0x3E6	0x00	FSYNC_6[7:0]	FSYNC_PERIOD_M[7:0]								
0x3E7	0x00	FSYNC_7[7:0]	FSYNC_PERIOD_H[7:0]								
0x3E8	0x00	FSYNC_8[7:0]	FRM_DIFF_ERR_THR_L[7:0]								
0x3E9	0x0F	FSYNC_9[7:0]	-	-	-	FRM_DIFF_ERR_THR_H[4:0]					
0x3EA	0x00	FSYNC_10[7:0]	OVLP_WINDOW_L[7:0]								
0x3EB	0x00	FSYNC_11[7:0]	EN_FSIN_LAST	-	-	OVLP_WINDOW_H[4:0]					
0x3EF	0x96	FSYNC_15[7:0]	FS_GPIO_TYPE	FS_USE_XTAL	-	AUTO_FS_LINKS	-	FS_EN_Z	FS_EN_Y	-	
0x3F0	0x00	FSYNC_16[7:0]	FSYNC_ERR_CNT[7:0]								

ADDRESS	RESET	NAME	MSB							LSB
0x3F1	0xF0	FSYNC_17[7:0]	FSYNC_TX_ID[4:0]				FSYNC_ERR_THR[2:0]			
0x3F2	0x00	FSYNC_18[7:0]	CALC_FRM_LEN_L[7:0]							
0x3F3	0x00	FSYNC_19[7:0]	CALC_FRM_LEN_M[7:0]							
0x3F4	0x00	FSYNC_20[7:0]	CALC_FRM_LEN_H[7:0]							
0x3F5	0x00	FSYNC_21[7:0]	FRM_DIFF_L[7:0]							
0x3F6	0x00	FSYNC_22[7:0]	FSYNC_LOSS_OF_LOCK	FSYNC_LOCKED	FRM_DIFF_H[5:0]					
0x3F7	0x00	FSYNC_23[7:0]	EN_SYNC_COMP	EN_LINK_RESET	-	-	-	FSYNC_OVR_Z	FSYNC_OVR_Y	-
MIPI_TX 0										
0x40A	0xD0	MIPI_TX10[7:0]	CSI2_LANE_CNT[1:0]	CSI2_CPHY_EN	RSVD	-	-	-	-	-
MIPI_TX 1										
0x441	0x00	MIPI_TX1[7:0]	MODE[7:0]							
0x442	0x00	MIPI_TX2[7:0]	STATUS[7:0]							
0x443	0x01	MIPI_TX3[7:0]	DESKEW_INIT[7:0]							
0x444	0x01	MIPI_TX4[7:0]	DESKEW_PER[7:0]							
0x447	0x1C	MIPI_TX7[7:0]	CSI2_TX_GAP[7:0]							
0x44A	0xD0	MIPI_TX10[7:0]	CSI2_LANE_CNT[1:0]	CSI2_CPHY_EN	RSVD	CSI_VCX_EN	RSVD[2:0]			
0x44B	0x00	MIPI_TX11[7:0]	MAP_EN_L[7:0]							
0x44C	0x00	MIPI_TX12[7:0]	MAP_EN_H[7:0]							
0x44D	0x00	MIPI_TX13[7:0]	MAP_SRC_0[7:0]							
0x44E	0x00	MIPI_TX14[7:0]	MAP_DST_0[7:0]							
0x44F	0x00	MIPI_TX15[7:0]	MAP_SRC_1[7:0]							
0x450	0x00	MIPI_TX16[7:0]	MAP_DST_1[7:0]							
0x451	0x00	MIPI_TX17[7:0]	MAP_SRC_2[7:0]							
0x452	0x00	MIPI_TX18[7:0]	MAP_DST_2[7:0]							
0x453	0x00	MIPI_TX19[7:0]	MAP_SRC_3[7:0]							
0x454	0x00	MIPI_TX20[7:0]	MAP_DST_3[7:0]							
0x455	0x00	MIPI_TX21[7:0]	MAP_SRC_4[7:0]							

ADDRESS	RESET	NAME	MSB					LSB
0x456	0x00	MIPI_TX22[7:0]						MAP_DST_4[7:0]
0x457	0x00	MIPI_TX23[7:0]						MAP_SRC_5[7:0]
0x458	0x00	MIPI_TX24[7:0]						MAP_DST_5[7:0]
0x459	0x00	MIPI_TX25[7:0]						MAP_SRC_6[7:0]
0x45A	0x00	MIPI_TX26[7:0]						MAP_DST_6[7:0]
0x45B	0x00	MIPI_TX27[7:0]						MAP_SRC_7[7:0]
0x45C	0x00	MIPI_TX28[7:0]						MAP_DST_7[7:0]
0x45D	0x00	MIPI_TX29[7:0]						MAP_SRC_8[7:0]
0x45E	0x00	MIPI_TX30[7:0]						MAP_DST_8[7:0]
0x45F	0x00	MIPI_TX31[7:0]						MAP_SRC_9[7:0]
0x460	0x00	MIPI_TX32[7:0]						MAP_DST_9[7:0]
0x461	0x00	MIPI_TX33[7:0]						MAP_SRC_10[7:0]
0x462	0x00	MIPI_TX34[7:0]						MAP_DST_10[7:0]
0x463	0x00	MIPI_TX35[7:0]						MAP_SRC_11[7:0]
0x464	0x00	MIPI_TX36[7:0]						MAP_DST_11[7:0]
0x465	0x00	MIPI_TX37[7:0]						MAP_SRC_12[7:0]
0x466	0x00	MIPI_TX38[7:0]						MAP_DST_12[7:0]
0x467	0x00	MIPI_TX39[7:0]						MAP_SRC_13[7:0]
0x468	0x00	MIPI_TX40[7:0]						MAP_DST_13[7:0]
0x469	0x00	MIPI_TX41[7:0]						MAP_SRC_14[7:0]
0x46A	0x00	MIPI_TX42[7:0]						MAP_DST_14[7:0]
0x46B	0x00	MIPI_TX43[7:0]						MAP_SRC_15[7:0]
0x46C	0x00	MIPI_TX44[7:0]						MAP_DST_15[7:0]
0x46D	0x00	MIPI_TX45[7:0]	MAP_DPHY_DEST_3[1:0]	MAP_DPHY_DEST_2[1:0]	MAP_DPHY_DEST_1[1:0]	MAP_DPHY_DEST_0[1:0]		
0x46E	0x00	MIPI_TX46[7:0]	MAP_DPHY_DEST_7[1:0]	MAP_DPHY_DEST_6[1:0]	MAP_DPHY_DEST_5[1:0]	MAP_DPHY_DEST_4[1:0]		

ADDRESS	RESET	NAME	MSB						LSB
0x46F	0x00	MIPI_TX47[7:0]	MAP_DPHY_DEST_11[1:0]		MAP_DPHY_DEST_10[1:0]		MAP_DPHY_DEST_9[1:0]		MAP_DPHY_DEST_8[1:0]
0x470	0x00	MIPI_TX48[7:0]	MAP_DPHY_DEST_15[1:0]		MAP_DPHY_DEST_14[1:0]		MAP_DPHY_DEST_13[1:0]		MAP_DPHY_DEST_12[1:0]
0x472	0x00	MIPI_TX50[7:0]	SKEW_PER_SEL[7:0]						
0x473	0x00	MIPI_TX51[7:0]	TUN_WAIT_VS_START[2:0]		ALT2_M EM_MA P8	MODE_ DT	ALT_ME M_MAP1 0	ALT_ME M_MAP8	ALT_ME M_MAP1 2
0x474	0x08	MIPI_TX52[7:0]	TUN_NO _CORR	DESKEW_TUN[1:0]	TUN_SER_LANE_N UM[1:0]	DESKE W_TUN_ SRC	TUN_DE ST		TUN_EN
0x475	0x00	MIPI_TX53[7:0]	DESKEW_TUN_OFFSET[7:0]						
0x476	0x00	MIPI_TX54[7:0]	TUN_PKT_START_ADDR[7:0]						
0x477	0x00	MIPI_TX55[7:0]	-	-	-	-	-	-	TUN_NO _CORR_ LENGTH
MIPI_TX 2									
0x481	0x00	MIPI_TX1[7:0]	MODE[7:0]						
0x482	0x00	MIPI_TX2[7:0]	STATUS[7:0]						
0x483	0x01	MIPI_TX3[7:0]	DESKEW_INIT[7:0]						
0x484	0x01	MIPI_TX4[7:0]	DESKEW_PER[7:0]						
0x487	0x1C	MIPI_TX7[7:0]	CSI2_TX_GAP[7:0]						
0x48A	0xD0	MIPI_TX10[7:0]	CSI2_LANE_CNT[1: 0]	CSI2_CP HY_EN	RSVD	CSI_VC X_EN	RSVD[2:0]		
0x48B	0x00	MIPI_TX11[7:0]	MAP_EN_L[7:0]						
0x48C	0x00	MIPI_TX12[7:0]	MAP_EN_H[7:0]						
0x48D	0x00	MIPI_TX13[7:0]	MAP_SRC_0[7:0]						
0x48E	0x00	MIPI_TX14[7:0]	MAP_DST_0[7:0]						
0x48F	0x00	MIPI_TX15[7:0]	MAP_SRC_1[7:0]						
0x490	0x00	MIPI_TX16[7:0]	MAP_DST_1[7:0]						
0x491	0x00	MIPI_TX17[7:0]	MAP_SRC_2[7:0]						
0x492	0x00	MIPI_TX18[7:0]	MAP_DST_2[7:0]						
0x493	0x00	MIPI_TX19[7:0]	MAP_SRC_3[7:0]						
0x494	0x00	MIPI_TX20[7:0]	MAP_DST_3[7:0]						
0x495	0x00	MIPI_TX21[7:0]	MAP_SRC_4[7:0]						

ADDRESS	RESET	NAME	MSB					LSB
0x496	0x00	MIPI_TX22[7:0]						MAP_DST_4[7:0]
0x497	0x00	MIPI_TX23[7:0]						MAP_SRC_5[7:0]
0x498	0x00	MIPI_TX24[7:0]						MAP_DST_5[7:0]
0x499	0x00	MIPI_TX25[7:0]						MAP_SRC_6[7:0]
0x49A	0x00	MIPI_TX26[7:0]						MAP_DST_6[7:0]
0x49B	0x00	MIPI_TX27[7:0]						MAP_SRC_7[7:0]
0x49C	0x00	MIPI_TX28[7:0]						MAP_DST_7[7:0]
0x49D	0x00	MIPI_TX29[7:0]						MAP_SRC_8[7:0]
0x49E	0x00	MIPI_TX30[7:0]						MAP_DST_8[7:0]
0x49F	0x00	MIPI_TX31[7:0]						MAP_SRC_9[7:0]
0x4A0	0x00	MIPI_TX32[7:0]						MAP_DST_9[7:0]
0x4A1	0x00	MIPI_TX33[7:0]						MAP_SRC_10[7:0]
0x4A2	0x00	MIPI_TX34[7:0]						MAP_DST_10[7:0]
0x4A3	0x00	MIPI_TX35[7:0]						MAP_SRC_11[7:0]
0x4A4	0x00	MIPI_TX36[7:0]						MAP_DST_11[7:0]
0x4A5	0x00	MIPI_TX37[7:0]						MAP_SRC_12[7:0]
0x4A6	0x00	MIPI_TX38[7:0]						MAP_DST_12[7:0]
0x4A7	0x00	MIPI_TX39[7:0]						MAP_SRC_13[7:0]
0x4A8	0x00	MIPI_TX40[7:0]						MAP_DST_13[7:0]
0x4A9	0x00	MIPI_TX41[7:0]						MAP_SRC_14[7:0]
0x4AA	0x00	MIPI_TX42[7:0]						MAP_DST_14[7:0]
0x4AB	0x00	MIPI_TX43[7:0]						MAP_SRC_15[7:0]
0x4AC	0x00	MIPI_TX44[7:0]						MAP_DST_15[7:0]
0x4AD	0x00	MIPI_TX45[7:0]	MAP_DPHY_DEST_3[1:0]	MAP_DPHY_DEST_2[1:0]	MAP_DPHY_DEST_1[1:0]	MAP_DPHY_DEST_0[1:0]		
0x4AE	0x00	MIPI_TX46[7:0]	MAP_DPHY_DEST_7[1:0]	MAP_DPHY_DEST_6[1:0]	MAP_DPHY_DEST_5[1:0]	MAP_DPHY_DEST_4[1:0]		

ADDRESS	RESET	NAME	MSB						LSB
0x4AF	0x00	MIPI_TX47[7:0]	MAP_DPHY_DEST_11[1:0]		MAP_DPHY_DEST_10[1:0]		MAP_DPHY_DEST_9[1:0]		MAP_DPHY_DEST_8[1:0]
0x4B0	0x00	MIPI_TX48[7:0]	MAP_DPHY_DEST_15[1:0]		MAP_DPHY_DEST_14[1:0]		MAP_DPHY_DEST_13[1:0]		MAP_DPHY_DEST_12[1:0]
0x4B2	0x00	MIPI_TX50[7:0]	SKEW_PER_SEL[7:0]						
0x4B3	0x00	MIPI_TX51[7:0]	TUN_WAIT_VS_START[2:0]		ALT2_M EM_MA P8	MODE_ DT	ALT_ME M_MAP1 0	ALT_ME M_MAP8	ALT_ME M_MAP1 2
0x4B4	0x0E	MIPI_TX52[7:0]	TUN_NO _CORR	DESKEW_TUN[1:0]	TUN_SER_LANE_N UM[1:0]	DESKE W_TUN_ SRC	TUN_DE ST		TUN_EN
0x4B5	0x00	MIPI_TX53[7:0]	DESKEW_TUN_OFFSET[7:0]						
0x4B6	0x00	MIPI_TX54[7:0]	TUN_PKT_START_ADDR[7:0]						
0x4B7	0x00	MIPI_TX55[7:0]	-	-	-	-	-	-	TUN_NO _CORR LENGTH
MIPI_TX 3									
0x4CA	0xD0	MIPI_TX10[7:0]	CSI2_LANE_CNT[1: 0]	CSI2_CP HY_EN	RSVD	-	-	-	-
MIPI_TX_EXT 1									
0x510	0x00	MIPI_TX_EXT 0[7:0]	MAP_SRC_0_H[2:0]		MAP_DST_0_H[2:0]		-	-	-
0x511	0x00	MIPI_TX_EXT 1[7:0]	MAP_SRC_1_H[2:0]		MAP_DST_1_H[2:0]		-	-	-
0x512	0x00	MIPI_TX_EXT 2[7:0]	MAP_SRC_2_H[2:0]		MAP_DST_2_H[2:0]		-	-	-
0x513	0x00	MIPI_TX_EXT 3[7:0]	MAP_SRC_3_H[2:0]		MAP_DST_3_H[2:0]		-	-	-
0x514	0x00	MIPI_TX_EXT 4[7:0]	MAP_SRC_4_H[2:0]		MAP_DST_4_H[2:0]		-	-	-
0x515	0x00	MIPI_TX_EXT 5[7:0]	MAP_SRC_5_H[2:0]		MAP_DST_5_H[2:0]		-	-	-
0x516	0x00	MIPI_TX_EXT 6[7:0]	MAP_SRC_6_H[2:0]		MAP_DST_6_H[2:0]		-	-	-
0x517	0x00	MIPI_TX_EXT 7[7:0]	MAP_SRC_7_H[2:0]		MAP_DST_7_H[2:0]		-	-	-
0x518	0x00	MIPI_TX_EXT 8[7:0]	MAP_SRC_8_H[2:0]		MAP_DST_8_H[2:0]		-	-	-
0x519	0x00	MIPI_TX_EXT 9[7:0]	MAP_SRC_9_H[2:0]		MAP_DST_9_H[2:0]		-	-	-
0x51A	0x00	MIPI_TX_EXT 10[7:0]	MAP_SRC_10_H[2:0]		MAP_DST_10_H[2:0]		-	-	-
0x51B	0x00	MIPI_TX_EXT 11[7:0]	MAP_SRC_11_H[2:0]		MAP_DST_11_H[2:0]		-	-	-
0x51C	0x00	MIPI_TX_EXT 12[7:0]	MAP_SRC_12_H[2:0]		MAP_DST_12_H[2:0]		-	-	-

ADDRESS	RESET	NAME	MSB				LSB
0x51D	0x00	MIPI_TX_EXT_13[7:0]	MAP_SRC_13_H[2:0]		MAP_DST_13_H[2:0]		-
0x51E	0x00	MIPI_TX_EXT_14[7:0]	MAP_SRC_14_H[2:0]		MAP_DST_14_H[2:0]		-
0x51F	0x00	MIPI_TX_EXT_15[7:0]	MAP_SRC_15_H[2:0]		MAP_DST_15_H[2:0]		-
MIPI_TX_EXT 2							
0x520	0x00	MIPI_TX_EXT_0[7:0]	MAP_SRC_0_H[2:0]		MAP_DST_0_H[2:0]		-
0x521	0x00	MIPI_TX_EXT_1[7:0]	MAP_SRC_1_H[2:0]		MAP_DST_1_H[2:0]		-
0x522	0x00	MIPI_TX_EXT_2[7:0]	MAP_SRC_2_H[2:0]		MAP_DST_2_H[2:0]		-
0x523	0x00	MIPI_TX_EXT_3[7:0]	MAP_SRC_3_H[2:0]		MAP_DST_3_H[2:0]		-
0x524	0x00	MIPI_TX_EXT_4[7:0]	MAP_SRC_4_H[2:0]		MAP_DST_4_H[2:0]		-
0x525	0x00	MIPI_TX_EXT_5[7:0]	MAP_SRC_5_H[2:0]		MAP_DST_5_H[2:0]		-
0x526	0x00	MIPI_TX_EXT_6[7:0]	MAP_SRC_6_H[2:0]		MAP_DST_6_H[2:0]		-
0x527	0x00	MIPI_TX_EXT_7[7:0]	MAP_SRC_7_H[2:0]		MAP_DST_7_H[2:0]		-
0x528	0x00	MIPI_TX_EXT_8[7:0]	MAP_SRC_8_H[2:0]		MAP_DST_8_H[2:0]		-
0x529	0x00	MIPI_TX_EXT_9[7:0]	MAP_SRC_9_H[2:0]		MAP_DST_9_H[2:0]		-
0x52A	0x00	MIPI_TX_EXT_10[7:0]	MAP_SRC_10_H[2:0]		MAP_DST_10_H[2:0]		-
0x52B	0x00	MIPI_TX_EXT_11[7:0]	MAP_SRC_11_H[2:0]		MAP_DST_11_H[2:0]		-
0x52C	0x00	MIPI_TX_EXT_12[7:0]	MAP_SRC_12_H[2:0]		MAP_DST_12_H[2:0]		-
0x52D	0x00	MIPI_TX_EXT_13[7:0]	MAP_SRC_13_H[2:0]		MAP_DST_13_H[2:0]		-
0x52E	0x00	MIPI_TX_EXT_14[7:0]	MAP_SRC_14_H[2:0]		MAP_DST_14_H[2:0]		-
0x52F	0x00	MIPI_TX_EXT_15[7:0]	MAP_SRC_15_H[2:0]		MAP_DST_15_H[2:0]		-
MISC							
0x540	0x00	CFG_0[7:0]	VS_OUT1[2:0]		RSVD[4:0]		
0x541	0x00	CFG_1[7:0]	VS_OUT2[2:0]		RSVD[4:0]		
0x542	0x00	CFG_2[7:0]	HS_OUT1[2:0]		RSVD[4:0]		
0x548	0x96	UART_PT_0[7:0]	BITLEN_PT_1_L[7:0]				
0x549	0x00	UART_PT_1[7:0]	-	-	BITLEN_PT_1_H[5:0]		
0x54A	0x96	UART_PT_2[7:0]	BITLEN_PT_2_L[7:0]				

ADDRESS	RESET	NAME	MSB							LSB	
0x54B	0x00	UART_PT_3[7:0]	-	-	BITLEN_PT_2_H[5:0]						
0x550	0x00	I2C_PT_4[7:0]			SRC_A_1[6:0]					-	
0x551	0x00	I2C_PT_5[7:0]			DST_A_1[6:0]					-	
0x552	0x00	I2C_PT_6[7:0]			SRC_B_1[6:0]					-	
0x553	0x00	I2C_PT_7[7:0]			DST_B_1[6:0]					-	
0x554	0x00	I2C_PT_8[7:0]			SRC_A_2[6:0]					-	
0x555	0x00	I2C_PT_9[7:0]			DST_A_2[6:0]					-	
0x556	0x00	I2C_PT_10[7:0]			SRC_B_2[6:0]					-	
0x557	0x00	I2C_PT_11[7:0]			DST_B_2[6:0]					-	
0x55C	0x00	CNT4[7:0]			VID_PXL_CRC_ERR0[7:0]						
0x55D	0x00	CNT5[7:0]			VID_PXL_CRC_ERR1[7:0]						
0x55E	0x00	CNT6[7:0]			VID_PXL_CRC_ERR2[7:0]						
0x55F	0x00	CNT7[7:0]			VID_PXL_CRC_ERR3[7:0]						
0x568	0x06	PORT_TUN_ONLY[7:0]	-	-	-	-	-	TUN_ON LY_2	TUN_ON LY_1	TUN_ON LY_CC	
0x569	0xAA	UNLOCK_KEY[7:0]	UNLOCK_KEY[7:0]								
0x570	0xFE	PIO_SLEW_0[7:0]	PIO03_SLEW[1:0]		PIO02_SLEW[1:0]		PIO01_SLEW[1:0]		PIO00_SLEW[1:0]		
0x571	0x83	PIO_SLEW_1[7:0]	PIO07_SLEW[1:0]		-	-	-	-	PIO04_SLEW[1:0]		
0x572	0x02	PIO_SLEW_2[7:0]	-	-	-	-	-	-	PIO08_SLEW[1:0]		
0x575	0x00	HS_VS_ACT_Y[7:0]	-	DE_DET_Y	VS_DET_Y	HS_DET_Y	-	-	VS_POL_Y	HS_POL_Y	
0x576	0x00	HS_VS_ACT_Z[7:0]	-	DE_DET_Z	VS_DET_Z	HS_DET_Z	-	-	VS_POL_Z	HS_POL_Z	
0x577	0x60	DP_ORSTB_CTL[7:0]	-	DP_RST_MIPI3_CHK	DP_RST_STABL_E_CHK	DP_RST_MIPI2_CHK	DP_RST_MIPI_C_HK	DP_RST_VP_CH_KB	RSVD	RSVD	
0x578	0x15	PM_OV_STA_T2[7:0]	VTERM_OV_OEN	VREG_OV_OEN	VTERM_OV_LEVEL[1:0]		RSVD[1:0]		VREG_OV_LEVEL[1:0]		
0x579	0x00	PM_OV_STA_T3[7:0]	VTERM_OV_FLAG	VREG_OV_FLAG	RSVD	-	RSVD	RSVD	RSVD	RSVD	
CC_EXT											
0x808	0x02	UART_0[7:0]	-	-	REM_MS_EN_1	LOC_MS_EN_1	-	BYPASS_TO_1[1:0]		BYPASS_EN_1	
0x809	0x02	UART_1[7:0]	-	-	REM_MS_EN_2	LOC_MS_EN_2	-	BYPASS_TO_2[1:0]		BYPASS_EN_2	

ADDRESS	RESET	NAME	MSB							LSB	
0x80E	0x06	I2C_PT_0[7:0]	RSVD	I2C_RE GSLV_0 _TIMED _OUT	-	-	RSVD	I2C_INTREG_SLV_TO[2:0]			
0x80F	0x36	I2C_PT_1[7:0]	I2C_RE GSLV_2 _TIMED _OUT	I2C_RE GSLV_1 _TIMED _OUT	I2C_INTREG_SLV_2_TO[2:0]			I2C_INTREG_SLV_1_TO[2:0]			
GMSL1_COMMON											
0xF00	0x03	GMSL1_EN[7:0]	-	-	-	-	-	-	LINK_EN _B	LINK_EN _A	
SPI_CC_WR											
0x1300	0x00	SPI_CC_WR[7:0]	-	-	-	-	-	-	-	-	
SPI_CC_RD											
0x1380	0x00	SPI_CC_RD[7:0]	-	-	-	-	-	-	-	-	
RLMS A											
0x1403	0x0A	RLMS3[7:0]	AdaptEn	RSVD	RSVD	RSVD	RSVD	RSVD	RSVD[1:0]		
0x1404	0x4B	RLMS4[7:0]	EOM_CHK_AMOUNT[3:0]				EOM_CHK_THR[1:0]	EOM_P E R_MOD E	EOM_E N		
0x1405	0x10	RLMS5[7:0]	EOM_M AN_TRG _REQ	EOM_MIN_THR[6:0]							
0x1406	0x80	RLMS6[7:0]	EOM_PV _MODE	EOM_RST_THR[6:0]							
0x1407	0x00	RLMS7[7:0]	EOM_D ONE	EOM[6:0]							
0x140A	0x08	RLMSA[7:0]	RSVD	RSVD	RSVD[1:0]		DFEAdpDly[3:0]				
0x140B	0x44	RLMSB[7:0]	AGCAcqDly[3:0]				RSVD[3:0]				
0x1418	0x0F	RLMS18[7:0]	RSVD	RSVD[2:0]			RSVD	VgaHiGa in	RSVD[1:0]		
0x141F	0xA7	RLMS1F[7:0]	AGCInitG2[7:0]								
0x1421	0x04	RLMS21[7:0]	RSVD	-	BSTMuH[5:0]						
0x1423	0x45	RLMS23[7:0]	-	RSVD	BSTInit[5:0]						
0x1431	0x18	RLMS31[7:0]	RSVD	-	OSNMuH[5:0]						
0x143E	0x94	RLMS3E[7:0]	ErrChPh SecTAF R6G	ErrChPhSecFR6G[6:0]							
0x143F	0x54	RLMS3F[7:0]	ErrChPh PriTAFR 6G	ErrChPhPriFR6G[6:0]							
0x1445	0xC8	RLMS45[7:0]	CRULpC trlSREn	CRUSS CSeISR En	RSVD[1:0]		RSVD	RSVD[2:0]			
0x1446	0xB3	RLMS46[7:0]	RSVD[3:0]				RSVD	CRULpCtrl[2:0]			
0x1447	0x03	RLMS47[7:0]	RSVD	RSVD	RSVD	RSVD	RSVD	CRUSSCSeI[1:0]		RSVD	

ADDRESS	RESET	NAME	MSB							LSB	
0x1449	0xF5	RLMS49[7:0]	RSVD	RSVD	RSVD	RSVD	RSVD	ErrChPwrUp	-	RSVD	
0x1464	0x90	RLMS64[7:0]	RSVD[3:0]				RSVD	RSVD	TxSSCMode[1:0]		
0x1470	0x01	RLMS70[7:0]	RSVD	TxSSCFrqCtrl[6:0]							
0x1471	0x02	RLMS71[7:0]	RSVD	TxSSCCenSprSt[5:0]						TxSSCEn	
0x1472	0xCF	RLMS72[7:0]	TxSSCPreScL[7:0]								
0x1473	0x00	RLMS73[7:0]	RSVD[4:0]					TxSSCPreScH[2:0]			
0x1474	0x00	RLMS74[7:0]	TxSSCPhL[7:0]								
0x1475	0x00	RLMS75[7:0]	RSVD	TxSSCPhH[6:0]							
0x148C	0x00	RLMS8C[7:0]	RSVD	cap_pre_out_rlms[6:0]							
0x1495	0x69	RLMS95[7:0]	TxAmpManEn	RSVD	TxAmplMan[5:0]						
0x1498	0x40	RLMS98[7:0]	Cal_cap_pre_out_en	RSVD	RSVD[2:0]			RSVD[2:0]			
0x14A4	0xBD	RLMSA4[7:0]	AEQ_PER_MULT[1:0]	AEQ_PER[5:0]							
0x14A5	0x50	RLMSA5[7:0]	RSVD[1:0]	PHYC_WBLOCK_DLY[1:0]	RSVD[1:0]			RSVD[1:0]			
0x14A7	0x01	RLMSA7[7:0]	MAN_CTL_EN	RSVD	RSVD	RSVD	RSVD	RSVD	RSVD	RSVD	
0x14A8	0x00	RLMSA8[7:0]	FW_PHY_CTRL	FW_PHY_PU_TX	FW_PHY_RSTB	RSVD	RSVD	RSVD	RSVD	RSVD	
0x14A9	0x00	RLMSA9[7:0]	FW_REP_CAL_RSTB	RSVD	FW_TXD_SQUELCH	FW_TXD_EN	FW_RXD_EN	RSVD	RSVD	RSVD	
0x14AC	0xA0	RLMSAC[7:0]	RSVD	ErrChPhSecFR3G[6:0]							
0x14AD	0x60	RLMSAD[7:0]	RSVD	ErrChPhPriFR3G[6:0]							
RLMS B											
0x1503	0x0A	RLMS3[7:0]	AdaptEn	RSVD	RSVD	RSVD	RSVD	RSVD	RSVD[1:0]		
0x1504	0x4B	RLMS4[7:0]	EOM_CHK_AMOUNT[3:0]				EOM_CHK_THR[1:0]	EOM_PERR_MOD_E	EOM_EN		
0x1505	0x10	RLMS5[7:0]	EOM_MAN_TRG_REQ	EOM_MIN_THR[6:0]							
0x1506	0x80	RLMS6[7:0]	EOM_PV_MODE	EOM_RST_THR[6:0]							
0x1507	0x00	RLMS7[7:0]	EOM_DONE	EOM[6:0]							
0x150A	0x08	RLMSA[7:0]	RSVD	RSVD	RSVD[1:0]		DFEAdpDly[3:0]				
0x150B	0x44	RLMSB[7:0]	AGCAcqDly[3:0]				RSVD[3:0]				
0x1518	0x0F	RLMS18[7:0]	RSVD	RSVD[2:0]			RSVD	VgaHiGain	RSVD[1:0]		
0x151F	0xA7	RLMS1F[7:0]	AGCInitG2[7:0]								
0x1521	0x04	RLMS21[7:0]	RSVD	-	BSTMuH[5:0]						
0x1523	0x45	RLMS23[7:0]	-	RSVD	BSTInit[5:0]						

ADDRESS	RESET	NAME	MSB							LSB
0x1531	0x18	RLMS31[7:0]	RSVD	–	OSNMuH[5:0]					
0x153E	0x94	RLMS3E[7:0]	ErrChPhSecTAFR6G	ErrChPhSecFR6G[6:0]						
0x153F	0x54	RLMS3F[7:0]	ErrChPhPriTAFR6G	ErrChPhPriFR6G[6:0]						
0x1545	0xC8	RLMS45[7:0]	CRULpCtrlSREn	CRUSSCSeISREn	RSVD[1:0]	RSVD	RSVD[2:0]			
0x1546	0xB3	RLMS46[7:0]	RSVD[3:0]			RSVD	CRULpCtrl[2:0]			
0x1547	0x03	RLMS47[7:0]	RSVD	RSVD	RSVD	RSVD	RSVD	CRUSSCSEL[1:0]	RSVD	
0x1549	0xF5	RLMS49[7:0]	RSVD	RSVD	RSVD	RSVD	RSVD	ErrChPwrUp	–	RSVD
0x1564	0x90	RLMS64[7:0]	RSVD[3:0]			RSVD	RSVD	TxSSCMode[1:0]		
0x1570	0x01	RLMS70[7:0]	RSVD	TxSSCFrqCtrl[6:0]						
0x1571	0x02	RLMS71[7:0]	RSVD	TxSSCCenSprSt[5:0]						TxSSCEn
0x1572	0xCF	RLMS72[7:0]	TxSSCPreScL[7:0]							
0x1573	0x00	RLMS73[7:0]	RSVD[4:0]				TxSSCPreScH[2:0]			
0x1574	0x00	RLMS74[7:0]	TxSSCPhL[7:0]							
0x1575	0x00	RLMS75[7:0]	RSVD	TxSSCPhH[6:0]						
0x158C	0x00	RLMS8C[7:0]	RSVD	cap_pre_out_rlms[6:0]						
0x1595	0x69	RLMS95[7:0]	TxAmpManEn	RSVD	TxAmpMan[5:0]					
0x1598	0x40	RLMS98[7:0]	Cal_cap_pre_out_en	RSVD	RSVD[2:0]			RSVD[2:0]		
0x15A4	0xBD	RLMSA4[7:0]	AEQ_PER_MULT[1:0]	AEQ_PER[5:0]						
0x15A5	0x50	RLMSA5[7:0]	RSVD[1:0]	PHYC_WBLOCK_DLY[1:0]		RSVD[1:0]		RSVD[1:0]		
0x15A7	0x01	RLMSA7[7:0]	MAN_CTRL_EN	RSVD	RSVD	RSVD	RSVD	RSVD	RSVD	RSVD
0x15A8	0x00	RLMSA8[7:0]	FW_PHY_CTRL	FW_PHY_PU_TX	FW_PHY_RSTB	RSVD	RSVD	RSVD	RSVD	RSVD
0x15A9	0x00	RLMSA9[7:0]	FW_REPCAL_RSTB	RSVD	FW_TXD_SQUELCH	FW_TXD_EN	FW_RXD_EN	RSVD	RSVD	RSVD
0x15AC	0xA0	RLMSAC[7:0]	RSVD	ErrChPhSecFR3G[6:0]						
0x15AD	0x60	RLMSAD[7:0]	RSVD	ErrChPhPriFR3G[6:0]						
DPLL CSI1										
0x1C00	0xF5	DPLL_0[7:0]	RSVD	RSVD	RSVD	RSVD	RSVD	RSVD	RSVD	config_soft_rst_n
0x1C03	0x82	DPLL_3[7:0]	config_sel_clock_out_use_external	config_divisible_div_out_exp	config_use_internal_pll_mode_values	config_use_internal_divider_values	RSVD	RSVD[2:0]		

ADDRESS	RESET	NAME	MSB							LSB	
0x1C07	0x04	DPLL_7[7:0]	config_div_fb_L	config_div_in[4:0]				RSVD[1:0]			
0x1C08	0x14	DPLL_8[7:0]	config_div_fb_H[7:0]								
0x1C0A	0x81	DPLL_10[7:0]	RSVD	config_div_out_exp[2:0]			RSVD[3:0]				
DPLL CSI2											
0x1D00	0xF5	DPLL_0[7:0]	RSVD	RSVD	RSVD	RSVD	RSVD	RSVD	RSVD	config_soft_rst_n	
0x1D03	0x82	DPLL_3[7:0]	config_sel_clock_out_use_external	config_div_sable_div_out_exp	config_use_internal_pll_mode_values	config_use_internal_divider_values	RSVD	RSVD[2:0]			
0x1D07	0x04	DPLL_7[7:0]	config_div_fb_L	config_div_in[4:0]				RSVD[1:0]			
0x1D08	0x14	DPLL_8[7:0]	config_div_fb_H[7:0]								
0x1D0A	0x81	DPLL_10[7:0]	RSVD	config_div_out_exp[2:0]			RSVD[3:0]				
DPLL CSI3											
0x1E00	0xF5	DPLL_0[7:0]	RSVD	RSVD	RSVD	RSVD	RSVD	RSVD	RSVD	config_soft_rst_n	
0x1E03	0x82	DPLL_3[7:0]	config_sel_clock_out_use_external	config_div_sable_div_out_exp	config_use_internal_pll_mode_values	config_use_internal_divider_values	RSVD	RSVD[2:0]			
0x1E07	0x04	DPLL_7[7:0]	config_div_fb_L	config_div_in[4:0]				RSVD[1:0]			
0x1E08	0x14	DPLL_8[7:0]	config_div_fb_H[7:0]								
0x1E0A	0x81	DPLL_10[7:0]	RSVD	config_div_out_exp[2:0]			RSVD[3:0]				
DPLL CSI4											
0x1F00	0xF5	DPLL_0[7:0]	RSVD	RSVD	RSVD	RSVD	RSVD	RSVD	RSVD	config_soft_rst_n	
0x1F03	0x82	DPLL_3[7:0]	config_sel_clock_out_use_external	config_div_sable_div_out_exp	config_use_internal_pll_mode_values	config_use_internal_divider_values	RSVD	RSVD[2:0]			
0x1F07	0x04	DPLL_7[7:0]	config_div_fb_L	config_div_in[4:0]				RSVD[1:0]			
0x1F08	0x14	DPLL_8[7:0]	config_div_fb_H[7:0]								
0x1F0A	0x81	DPLL_10[7:0]	RSVD	config_div_out_exp[2:0]			RSVD[3:0]				
FEC											
0x2000	0x00	CLEAR_STATS[7:0]	-	-	-	-	CLEAR_BITS_CORRECTED	CLEAR_BLOCKS_UNCORRECTABLE	CLEAR_BLOCKS_PROCESSED	CLEAR_ALL_STATS	
0x2001	0x00	STATS_CONTROL[7:0]	-	-	-	-	-	-	-	STATS_ENABLE	

ADDRESS	RESET	NAME	MSB						LSB
0x2008	0x00	CORRECTED_THRESHOLD_0[7:0]							BIT_ERRS_CORRECTED_THRESHOLD_0[7:0]
0x2009	0x00	CORRECTED_THRESHOLD_1[7:0]							BIT_ERRS_CORRECTED_THRESHOLD_1[7:0]
0x200A	0x00	CORRECTED_THRESHOLD_2[7:0]							BIT_ERRS_CORRECTED_THRESHOLD_2[7:0]
0x200B	0x00	CORRECTED_THRESHOLD_3[7:0]							BIT_ERRS_CORRECTED_THRESHOLD_3[7:0]
0x200C	0x00	ERROR_THRESHOLD_0[7:0]							UNCORRECTED_ERROR_THRESHOLD_0[7:0]
0x200D	0x00	ERROR_THRESHOLD_1[7:0]							UNCORRECTED_ERROR_THRESHOLD_1[7:0]
0x200E	0x00	ERROR_THRESHOLD_2[7:0]							UNCORRECTED_ERROR_THRESHOLD_2[7:0]
0x200F	0x00	ERROR_THRESHOLD_3[7:0]							UNCORRECTED_ERROR_THRESHOLD_3[7:0]
0x2020	0x00	BLOCKS_UNCORRECTABLE_0[7:0]							UNCORRECTABLE_BLOCKS_0[7:0]
0x2021	0x00	BLOCKS_UNCORRECTABLE_1[7:0]							UNCORRECTABLE_BLOCKS_1[7:0]
0x2022	0x00	BLOCKS_UNCORRECTABLE_2[7:0]							UNCORRECTABLE_BLOCKS_2[7:0]
0x2023	0x00	BLOCKS_UNCORRECTABLE_3[7:0]							UNCORRECTABLE_BLOCKS_3[7:0]
0x2024	0x00	BITS_CORRECTED_0[7:0]							BIT_ERRS_CORRECTED_0[7:0]
0x2025	0x00	BITS_CORRECTED_1[7:0]							BIT_ERRS_CORRECTED_1[7:0]
0x2026	0x00	BITS_CORRECTED_2[7:0]							BIT_ERRS_CORRECTED_2[7:0]
0x2027	0x00	BITS_CORRECTED_3[7:0]							BIT_ERRS_CORRECTED_3[7:0]
0x2028	0x00	BLOCKS_PROCESSED_0[7:0]							BLOCKS_PROCESSED_0[7:0]
0x2029	0x00	BLOCKS_PROCESSED_1[7:0]							BLOCKS_PROCESSED_1[7:0]

ADDRESS	RESET	NAME	MSB							LSB
0x202A	0x00	BLOCKS_PROCESSED_2[7:0]								BLOCKS_PROCESSED_2[7:0]
0x202B	0x00	BLOCKS_PROCESSED_3[7:0]								BLOCKS_PROCESSED_3[7:0]
FEC_B										
0x2100	0x00	CLEAR_STATS[7:0]	-	-	-	-	CLEAR_BITS_CORRECTED_B	CLEAR_BLOCKS_UNCORRECTABLE_B	CLEAR_BLOCKS_PROCESSED_B	CLEAR_ALL_STATS_B
0x2101	0x00	STATS_CONTROL[7:0]	-	-	-	-	-	-	-	STATS_ENABLE_B
0x2108	0x00	CORRECTED_THRESHOLD_0[7:0]								BIT_ERRS_CORRECTED_THRESHOLD_0_B[7:0]
0x2109	0x00	CORRECTED_THRESHOLD_1[7:0]								BIT_ERRS_CORRECTED_THRESHOLD_1_B[7:0]
0x210A	0x00	CORRECTED_THRESHOLD_2[7:0]								BIT_ERRS_CORRECTED_THRESHOLD_2_B[7:0]
0x210B	0x00	CORRECTED_THRESHOLD_3[7:0]								BIT_ERRS_CORRECTED_THRESHOLD_3_B[7:0]
0x210C	0x00	ERROR_THRESHOLD_0[7:0]								UNCORRECTED_ERROR_THRESHOLD_0_B[7:0]
0x210D	0x00	ERROR_THRESHOLD_1[7:0]								UNCORRECTED_ERROR_THRESHOLD_1_B[7:0]
0x210E	0x00	ERROR_THRESHOLD_2[7:0]								UNCORRECTED_ERROR_THRESHOLD_2_B[7:0]
0x210F	0x00	ERROR_THRESHOLD_3[7:0]								UNCORRECTED_ERROR_THRESHOLD_3_B[7:0]
0x2120	0x00	BLOCKS_UNCORRECTABLE_0[7:0]								UNCORRECTABLE_BLOCKS_0_B[7:0]
0x2121	0x00	BLOCKS_UNCORRECTABLE_1[7:0]								UNCORRECTABLE_BLOCKS_1_B[7:0]
0x2122	0x00	BLOCKS_UNCORRECTABLE_2[7:0]								UNCORRECTABLE_BLOCKS_2_B[7:0]
0x2123	0x00	BLOCKS_UNCORRECTABLE_3[7:0]								UNCORRECTABLE_BLOCKS_3_B[7:0]

ADDRESS	RESET	NAME	MSB							LSB
0x2124	0x00	BITS_CORRECTED_0[7:0]								BIT_ERRS_CORRECTED_0_B[7:0]
0x2125	0x00	BITS_CORRECTED_1[7:0]								BIT_ERRS_CORRECTED_1_B[7:0]
0x2126	0x00	BITS_CORRECTED_2[7:0]								BIT_ERRS_CORRECTED_2_B[7:0]
0x2127	0x00	BITS_CORRECTED_3[7:0]								BIT_ERRS_CORRECTED_3_B[7:0]
0x2128	0x00	BLOCKS_PROCESSED_0[7:0]								BLOCKS_PROCESSED_0_B[7:0]
0x2129	0x00	BLOCKS_PROCESSED_1[7:0]								BLOCKS_PROCESSED_1_B[7:0]
0x212A	0x00	BLOCKS_PROCESSED_2[7:0]								BLOCKS_PROCESSED_2_B[7:0]
0x212B	0x00	BLOCKS_PROCESSED_3[7:0]								BLOCKS_PROCESSED_3_B[7:0]
FUNC_SAFE										
0x3000	0x00	REGCRC0[7:0]	-	-	RSVD	GEN_ROLLING_CRC	I2C_WRITE_COMP	PERIODIC_COMPUTE	CHECK_CRC	RESET_CRC
0x3001	0x00	REGCRC1[7:0]								CRC_PERIOD[7:0]
0x3002	0x00	REGCRC2[7:0]								REGCRC_LSB[7:0]
0x3003	0x00	REGCRC3[7:0]								REGCRC_MSB[7:0]
0x3008	0x00	I2C_UART_CRC0[7:0]	-	-	-	-	-	-	-	RESET_MSGCNTR
0x3009	0x00	I2C_UART_CRC1[7:0]	MSGCNTR_ERR_THR[2:0]			CRC_ERR_THR[2:0]			RESET_MSGCNTR_ERR_CNT	RESET_CRC_ERR_CNT
0x300A	0x00	I2C_UART_CRC2[7:0]								CRC_VAL[7:0]
0x300B	0x00	I2C_UART_CRC3[7:0]								MSGCNTR_LSB[7:0]
0x300C	0x00	I2C_UART_CRC4[7:0]								MSGCNTR_MSB[7:0]
0x300D	0x00	I2C_UART_CRC5[7:0]								CRC_ERR_CNT[7:0]
0x300E	0x00	I2C_UART_CRC6[7:0]								MSGCNTR_ERR_CNT[7:0]
0x300F	0x06	I2C_UART_CRC7[7:0]	-	-	-	MSGCNTR_PORT_SEL[1:0]	CC_MSGCNTR_EN	CC_CRC_EN		CC_CRC_MSGCNTR_OVR

ADDRESS	RESET	NAME	MSB							LSB
0x3010	0xE2	FS_INTR0[7:0]	I2C_UA RT_MSG CNTR_E RR_OEN	I2C_UA RT_CRC _ERR_O EN	MEM_E CC_ERR 2_OEN	MEM_E CC_ERR 1_OEN	-	-	EFUSE_ CRC_ER R_OEN	REG_CR C_ERR_ OEN
0x3011	0x00	FS_INTR1[7:0]	I2C_UA RT_MSG CNTR_E RR_INT	I2C_UA RT_CRC _ERR_I NT	MEM_E CC_ERR 2_INT	MEM_E CC_ERR 1_INT	-	-	EFUSE_ CRC_ER R_FLAG	REG_CR C_ERR_ FLAG
0x3016	0x00	MEM_ECC0[7:0]	MEM_ECC_ERR2_THR[2:0]		MEM_ECC_ERR1_THR[2:0]				RESET_ MEM_E CC_ERR 2_CNT	RESET_ MEM_E CC_ERR 1_CNT
0x3017	0x00	MEM_ECC1[7:0]	MEM_ECC_ERR1_CNT[7:0]							
0x3018	0x00	MEM_ECC2[7:0]	MEM_ECC_ERR2_CNT[7:0]							
0x3020	0x00	REG_POST0[7:0]	POST_D ONE	POST_M BIST_PA SSED	POST_L BIST_PA SSED	-	-	RSVD	POST_R UN_MBI ST	POST_R UN_LBIS T
0x3030	0xFF	REGCRC8[7:0]	SKIP0_LSB[7:0]							
0x3031	0xFF	REGCRC9[7:0]	SKIP0_MSB[7:0]							
0x3032	0xFF	REGCRC10[7:0]	SKIP1_LSB[7:0]							
0x3033	0xFF	REGCRC11[7:0]	SKIP1_MSB[7:0]							
0x3034	0xFF	REGCRC12[7:0]	SKIP2_LSB[7:0]							
0x3035	0xFF	REGCRC13[7:0]	SKIP2_MSB[7:0]							
0x3036	0xFF	REGCRC14[7:0]	SKIP3_LSB[7:0]							
0x3037	0xFF	REGCRC15[7:0]	SKIP3_MSB[7:0]							
0x3038	0xFF	REGCRC16[7:0]	SKIP4_LSB[7:0]							
0x3039	0xFF	REGCRC17[7:0]	SKIP4_MSB[7:0]							
0x303A	0xFF	REGCRC18[7:0]	SKIP5_LSB[7:0]							
0x303B	0xFF	REGCRC19[7:0]	SKIP5_MSB[7:0]							
0x303C	0xFF	REGCRC20[7:0]	SKIP6_LSB[7:0]							
0x303D	0xFF	REGCRC21[7:0]	SKIP6_MSB[7:0]							
0x303E	0xFF	REGCRC22[7:0]	SKIP7_LSB[7:0]							
0x303F	0xFF	REGCRC23[7:0]	SKIP7_MSB[7:0]							

ADDRESS	RESET	NAME	MSB							LSB
0x304F	0x00	CC_RTTN_ERR[7:0]	-	-	-	-	RSVD	RESET_EFUSE_CRC_ERR	INJECT_EFUSE_CRC_ERR	INJECT_RTTN_CRC_ERR
TCTRL_EXT										
0x5009	0x00	CTRL9[7:0]	RSVD	RSVD	-	-	LOCKED_B	-	-	-
0x5010	0x88	INTR10[7:0]	RTTN_CRC_ERR_OEN	IDLE_ERR_OEN_B	FEC_RX_ERR_OEN_B	VDD18_OV_OEN	MAX_RT_OEN_B	RT_CNT_OEN_B	PKT_CNT_OEN_B	VDD_OV_OEN
0x5011	0x00	INTR11[7:0]	RTTN_CRC_INT	IDLE_ERR_FLAG_B	FEC_RX_ERR_FLAG_B	VDD18_OV_FLAG	MAX_RT_FLAG_B	RT_CNT_FLAG_B	PKT_CNT_FLAG_B	VDD_OV_FLAG
0x5012	0x00	INTR13[7:0]	FEC_B_I_NACTIVE_OEN	FEC_A_I_NACTIVE_OEN	-	-	-	-	video_m em_overf low_oen	LOSS_OF_LOCK_OEN
0x5013	0x00	INTR14[7:0]	FEC_B_I_NACTIVE	FEC_A_I_NACTIVE	-	-	-	-	video_m em_overf low	LOSS_OF_LOCK_FLAG
0x5018	0x1F	INTR12[7:0]	-	-	-	ERR_RX_ID_B[4:0]				
0x5024	0x00	CNT2[7:0]	IDLE_ERR_B[7:0]							
0x5025	0x00	CNT3[7:0]	PKT_CNT_B[7:0]							
OVERLAP										
VID_RX_EXT Y										
0x501A	0x00	VIDEO_RX13[7:0]	-	-	-	-	-	-	-	LOSS_OF_VIDEO_LOCK_OEN
0x501B	0x00	VIDEO_RX14[7:0]	-	-	-	-	-	-	-	LOSS_OF_VIDEO_LOCK
VID_RX_EXT Z										
0x5020	0x00	VIDEO_RX13[7:0]	-	-	-	-	-	-	-	LOSS_OF_VIDEO_LOCK_OEN
0x5021	0x00	VIDEO_RX14[7:0]	-	-	-	-	-	-	-	LOSS_OF_VIDEO_LOCK
GMSL B										
0x5028	0x60	TX0[7:0]	RSVD[1:0]		RSVD	RSVD	-	-	RX_FEC_EN	RSVD
0x5029	0x08	TX1[7:0]	LINK_PBS_GEN	RSVD	-	ERRG_EN_B	RSVD	RSVD	RSVD	RSVD
0x502A	0x20	TX2[7:0]	ERRG_CNT[1:0]		ERRG_RATE[1:0]		ERRG_BURST[2:0]			ERRG_PERR
0x502B	0x44	TX3[7:0]	RSVD[1:0]		RX_FEC_ACTIVE	RSVD	-	RSVD[2:0]		
0x502C	0x00	RX0[7:0]	PKT_CNT_LBW[1:0]		RSVD	RSVD	PKT_CNT_SEL[3:0]			
0x5030	0x41	GPIOA[7:0]	RSVD	RSVD	GPIO_FWD_CDLY[5:0]					

ADDRESS	RESET	NAME	MSB							LSB
0x5031	0x88	GPIOB[7:0]	GPIO_TX_WNDW[1:0]						GPIO_REV_CDLY[5:0]	
CFGH_B VIDEO_X										
0x5050	0x00	RX0[7:0]	RX_CRC_EN_B	-	-	-	-	-	STR_SEL_B[1:0]	
CFGH_B VIDEO_Y										
0x5051	0x01	RX0[7:0]	RX_CRC_EN_B	-	-	-	-	-	STR_SEL_B[1:0]	
CFGH_B VIDEO_Z										
0x5052	0x02	RX0[7:0]	RX_CRC_EN_B	-	-	-	-	-	STR_SEL_B[1:0]	
CFGH_B VIDEO_U										
0x5053	0x03	RX0[7:0]	RX_CRC_EN_B	-	-	-	-	-	STR_SEL_B[1:0]	
CFG_I_B INFOFR										
0x5060	0xF0	TR0[7:0]	TX_CRC_EN_B	RX_CRC_EN_B	RSVD[1:0]		PRIO_VAL_B[1:0]		PRIO_CFG_B[1:0]	
0x5061	0xB0	TR1[7:0]	BW_MULT_B[1:0]		BW_VAL_B[5:0]					
0x5063	0x00	TR3[7:0]	-	-	-	-	-	TX_SRC_ID_B[2:0]		
0x5064	0xFF	TR4[7:0]	RX_SRC_SEL_B[7:0]							
CFG_C_B CC										
0x5070	0xF0	TR0[7:0]	TX_CRC_EN_B	RX_CRC_EN_B	RSVD[1:0]		PRIO_VAL_B[1:0]		PRIO_CFG_B[1:0]	
0x5071	0xB0	TR1[7:0]	BW_MULT_B[1:0]		BW_VAL_B[5:0]					
0x5073	0x00	TR3[7:0]	-	-	-	-	-	TX_SRC_ID_B[2:0]		
0x5074	0xFF	TR4[7:0]	RX_SRC_SEL_B[7:0]							
0x5075	0x98	ARQ0[7:0]	RSVD	RSVD	RSVD	RSVD	EN_B	DIS_DBL_ACK_R_ETX_B	-	-
0x5076	0x72	ARQ1[7:0]	-	RSVD[2:0]			-	-	MAX_RT_ERR_O_EN_B	RT_CNT_OEN_B
0x5077	0x00	ARQ2[7:0]	MAX_RT_ERR_B	RT_CNT_B[6:0]						
CFG_L_B GPIO										
0x5078	0xF0	TR0[7:0]	TX_CRC_EN_B	RX_CRC_EN_B	RSVD[1:0]		PRIO_VAL_B[1:0]		PRIO_CFG_B[1:0]	
0x5079	0xB0	TR1[7:0]	BW_MULT_B[1:0]		BW_VAL_B[5:0]					
0x507B	0x00	TR3[7:0]	-	-	-	-	-	TX_SRC_ID_B[2:0]		
0x507C	0xFF	TR4[7:0]	RX_SRC_SEL_B[7:0]							
0x507D	0x98	ARQ0[7:0]	RSVD	RSVD	RSVD	RSVD	EN_B	DIS_DBL_ACK_R_ETX_B	-	-
0x507E	0x72	ARQ1[7:0]	-	RSVD[2:0]			-	-	MAX_RT_ERR_O_EN_B	RT_CNT_OEN_B
0x507F	0x00	ARQ2[7:0]	MAX_RT_ERR_B	RT_CNT_B[6:0]						

ADDRESS	RESET	NAME	MSB							LSB
CFG_C_B IIC_X										
0x5080	0xF0	TR0[7:0]	TX_CRC_EN_B	RX_CRC_EN_B	RSVD[1:0]		PRIO_VAL_B[1:0]		PRIO_CFG_B[1:0]	
0x5081	0xB0	TR1[7:0]	BW_MULT_B[1:0]		BW_VAL_B[5:0]					
0x5083	0x00	TR3[7:0]	-	-	-	-	-	TX_SRC_ID_B[2:0]		
0x5084	0xFF	TR4[7:0]	RX_SRC_SEL_B[7:0]							
0x5085	0x98	ARQ0[7:0]	RSVD	RSVD	RSVD	RSVD	EN_B	DIS_DBL_ACK_RETX_B	-	-
0x5086	0x72	ARQ1[7:0]	-	RSVD[2:0]			-	-	MAX_RT_ERR_OEN_B	RT_CNT_OEN_B
0x5087	0x00	ARQ2[7:0]	MAX_RT_ERR_B	RT_CNT_B[6:0]						
CFG_C_B IIC_Y										
0x5088	0xF0	TR0[7:0]	TX_CRC_EN_B	RX_CRC_EN_B	RSVD[1:0]		PRIO_VAL_B[1:0]		PRIO_CFG_B[1:0]	
0x5089	0xB0	TR1[7:0]	BW_MULT_B[1:0]		BW_VAL_B[5:0]					
0x508B	0x00	TR3[7:0]	-	-	-	-	-	TX_SRC_ID_B[2:0]		
0x508C	0xFF	TR4[7:0]	RX_SRC_SEL_B[7:0]							
0x508D	0x98	ARQ0[7:0]	RSVD	RSVD	RSVD	RSVD	EN_B	DIS_DBL_ACK_RETX_B	-	-
0x508E	0x72	ARQ1[7:0]	-	RSVD[2:0]			-	-	MAX_RT_ERR_OEN_B	RT_CNT_OEN_B
0x508F	0x00	ARQ2[7:0]	MAX_RT_ERR_B	RT_CNT_B[6:0]						
GPIO0_B 0										
0x52B0	0x02	GPIO_A[7:0]	-	RSVD	TX_COMP_EN_B	-	-	GPIO_RX_EN_B	GPIO_TX_EN_B	-
0x52B1	0x00	GPIO_B[7:0]	-	-	-	GPIO_TX_ID_B[4:0]				
0x52B2	0x40	GPIO_C[7:0]	-	GPIO_RECEIVED_B	-	GPIO_RX_ID_B[4:0]				
GPIO0_B 1										
0x52B3	0x00	GPIO_A[7:0]	-	RSVD	TX_COMP_EN_B	-	-	GPIO_RX_EN_B	GPIO_TX_EN_B	-
0x52B4	0x01	GPIO_B[7:0]	-	-	-	GPIO_TX_ID_B[4:0]				
0x52B5	0x41	GPIO_C[7:0]	-	RSVD	-	GPIO_RX_ID_B[4:0]				
GPIO0_B 2										
0x52B6	0x00	GPIO_A[7:0]	-	RSVD	TX_COMP_EN_B	-	-	GPIO_RX_EN_B	GPIO_TX_EN_B	-
0x52B7	0x02	GPIO_B[7:0]	-	-	-	GPIO_TX_ID_B[4:0]				
0x52B8	0x42	GPIO_C[7:0]	-	RSVD	-	GPIO_RX_ID_B[4:0]				
GPIO0_B 3										
0x52B9	0x00	GPIO_A[7:0]	-	RSVD	TX_COMP_EN_B	-	-	GPIO_RX_EN_B	GPIO_TX_EN_B	-

ADDRESS	RESET	NAME	MSB							LSB
0x52BA	0x03	GPIO_B[7:0]	-	-	-					GPIO_TX_ID_B[4:0]
0x52BB	0x43	GPIO_C[7:0]	-	RSVD	-					GPIO_RX_ID_B[4:0]
GPIO0_B 4										
0x52BC	0x00	GPIO_A[7:0]	-	RSVD	TX_COM P_EN_B	-	-	GPIO_R X_EN_B	GPIO_T X_EN_B	-
0x52BD	0x04	GPIO_B[7:0]	-	-	-					GPIO_TX_ID_B[4:0]
0x52BE	0x44	GPIO_C[7:0]	-	RSVD	-					GPIO_RX_ID_B[4:0]
GPIO0_B 5										
0x52BF	0x00	GPIO_A[7:0]	-	RSVD	TX_COM P_EN_B	-	-	GPIO_R X_EN_B	GPIO_T X_EN_B	-
0x52C0	0x05	GPIO_B[7:0]	-	-	-					GPIO_TX_ID_B[4:0]
0x52C1	0x45	GPIO_C[7:0]	-	RSVD	-					GPIO_RX_ID_B[4:0]
GPIO0_B 6										
0x52C2	0x02	GPIO_A[7:0]	-	RSVD	TX_COM P_EN_B	-	-	GPIO_R X_EN_B	GPIO_T X_EN_B	-
0x52C3	0x06	GPIO_B[7:0]	-	-	-					GPIO_TX_ID_B[4:0]
0x52C4	0x46	GPIO_C[7:0]	-	RSVD	-					GPIO_RX_ID_B[4:0]
GPIO0_B 7										
0x52C5	0x00	GPIO_A[7:0]	-	RSVD	TX_COM P_EN_B	-	-	GPIO_R X_EN_B	GPIO_T X_EN_B	-
0x52C6	0x07	GPIO_B[7:0]	-	-	-					GPIO_TX_ID_B[4:0]
0x52C7	0x47	GPIO_C[7:0]	-	RSVD	-					GPIO_RX_ID_B[4:0]
GPIO0_B 8										
0x52C8	0x00	GPIO_A[7:0]	-	RSVD	TX_COM P_EN_B	-	-	GPIO_R X_EN_B	GPIO_T X_EN_B	-
0x52C9	0x08	GPIO_B[7:0]	-	-	-					GPIO_TX_ID_B[4:0]
0x52CA	0x48	GPIO_C[7:0]	-	RSVD	-					GPIO_RX_ID_B[4:0]
GPIO0_B 9										
0x52CB	0x00	GPIO_A[7:0]	-	RSVD	TX_COM P_EN_B	-	-	GPIO_R X_EN_B	GPIO_T X_EN_B	-
0x52CC	0x09	GPIO_B[7:0]	-	-	-					GPIO_TX_ID_B[4:0]
0x52CD	0x49	GPIO_C[7:0]	-	RSVD	-					GPIO_RX_ID_B[4:0]
GPIO0_B 10										
0x52CE	0x00	GPIO_A[7:0]	-	RSVD	TX_COM P_EN_B	-	-	GPIO_R X_EN_B	GPIO_T X_EN_B	-
0x52CF	0x0A	GPIO_B[7:0]	-	-	-					GPIO_TX_ID_B[4:0]
0x52D0	0x4A	GPIO_C[7:0]	-	RSVD	-					GPIO_RX_ID_B[4:0]
GPIO0_B 11										
0x52D1	0x00	GPIO_A[7:0]	-	RSVD	TX_COM P_EN_B	-	-	GPIO_R X_EN_B	GPIO_T X_EN_B	-
0x52D2	0x0B	GPIO_B[7:0]	-	-	-					GPIO_TX_ID_B[4:0]
0x52D3	0x4B	GPIO_C[7:0]	-	RSVD	-					GPIO_RX_ID_B[4:0]
GPIO0_B 12										
0x52D4	0x00	GPIO_A[7:0]	-	RSVD	TX_COM P_EN_B	-	-	GPIO_R X_EN_B	GPIO_T X_EN_B	-

ADDRESS	RESET	NAME	MSB					LSB
0x52D5	0x0C	GPIO_B[7:0]	–	–	–	GPIO_TX_ID_B[4:0]		
0x52D6	0x4C	GPIO_C[7:0]	–	RSVD	–	GPIO_RX_ID_B[4:0]		

Register Details

[REG0 \(0x0\)](#)

BIT	7	6	5	4	3	2	1	0
Field	DEV_ADDR[6:0]							CFG_BLOCK
Reset	0b1001000							0b0
Access Type	Write, Read							Write, Read

BITFIELD	BITS	DESCRIPTION	DECODE
DEV_ADDR	7:1	Device I ² C Address Default value is set by the CFG0 pin as follows: CFG0 Device Address 000 0b0101000 001 0b0101010 010 0b1001100 011 0b1101010 100 0b1101010 101 0b1001100 110 0b0101010 111 0b0101000	0b0000000: I ² C write/read address is 0x00/0x01 0b0000001: I ² C write/read address is 0x02/0x03 0b1001000: I ² C write/read address is 0x90/0x91 0b1001010: I ² C write/read address is 0x94/0x95 0b1001100: I ² C write/read address is 0x98/0x99 0b1101000: I ² C write/read address is 0xD0/0xD1 0b1101010: I ² C write/read address is 0xD4/0xD5 0b1101100: I ² C write/read address is 0xD8/0xD9 0b0101000: I ² C write/read address is 0x50/0x51 0b0101010: I ² C write/read address is 0x54/0x55 0b1111111: I ² C write/read address is 0xFE/0xFF
CFG_BLOCK	0	Configuration Block When set, all registers become non-writable (read-only). This bit can be used to freeze the chip configuration. The only way to clear this register and regain write access is with a power cycle or toggling the PWDNB pin.	0b0: Not blocked 0b1: Blocked

[REG1 \(0x1\)](#)

BIT	7	6	5	4	3	2	1	0
Field	IIC_2_EN	IIC_1_EN	DIS_LOCAL_CC	DIS_REM_CC	TX_RATE[1:0]		RX_RATE[1:0]	
Reset	0b0	0b0	0b0	0b0	0b00		0b10	
Access Type	Write, Read	Write, Read	Write, Read	Write, Read	Write, Read		Write, Read	

BITFIELD	BITS	DESCRIPTION	DECODE
IIC_2_EN	7	Enable pass-through I ² C Channel 2 (SDA2/RX2, SCL2/TX2)	0b0: I ² C pass-through Channel 2 disabled 0b1: I ² C pass-through Channel 2 enabled
IIC_1_EN	6	Enable pass-through I ² C Channel 1 (SDA1/RX1, SCL1/TX1)	0b0: I ² C pass-through Channel 1 disabled 0b1: I ² C pass-through Channel 1 enabled

BITFIELD	BITS	DESCRIPTION	DECODE
DIS_LOCAL_CC	5	Disable control channel connection to RX/SDA and TX/SCL pins	0b0: RX/SDA and TX/XCL connected to control channel 0b1: RX/SDA and TX/SCL disconnected from control channel
DIS_REM_CC	4	Disable access to Link A serializer control channel over GMSL2 connection from RX/SDA and TX/SCL pins.	0b0: Remote control channel enabled 0b1: Remote control channel disabled
TX_RATE	3:2	Link A Transmitter Rate When changing this value, restart the link with a write to the RESET_ONESHOT or RESET_LINK register for the new value to take effect.	0b00: 187.5Mbps 0b01: Reserved 0b10: Reserved 0b11: Reserved
RX_RATE	1:0	Link A Receiver Rate When changing this value, restart the link with a write to the RESET_ONESHOT or RESET_LINK register for the new value to take effect. Default value is set by configuration pins at power-up.	0b00: Reserved 0b01: 3Gbps 0b10: 6Gbps 0b11: 12Gbps (applies to GMSL3 capable parts)

REG2 (0x2)

BIT	7	6	5	4	3	2	1	0
Field	–	VID_EN_Z	VID_EN_Y	–	–	–	RSVD	RSVD
Reset	–	0b1	0b1	–	–	–	0b1	0b1
Access Type	–	Write, Read	Write, Read	–	–	–		

BITFIELD	BITS	DESCRIPTION	DECODE
VID_EN_Z	6	Enable data transmission through video pipe Z	0b0: Video pipe Z disabled 0b1: Video pipe Z enabled
VID_EN_Y	5	Enable data transmission through video pipe Y	0b0: Video pipe Y disabled 0b1: Video pipe Y enabled

REG3 (0x3)

BIT	7	6	5	4	3	2	1	0
Field	LOCK_CFG	PT_SWAP	UART_2_EN	UART_1_EN	–	DIS_REM_CC_B	RSVD	RSVD
Reset	0b0	0b1	0b0	0b1	–	0b0	0b1	0b1
Access Type	Write, Read	Write, Read	Write, Read	Write, Read	–	Write, Read		

BITFIELD	BITS	DESCRIPTION	DECODE
LOCK_CFG	7	Configure LOCK pin behavior	0b0: GMSL2 link locked 0b1: GMSL2 link locked and MIPI output started
PT_SWAP	6	Swap I ² C/UART pass-through 1 pin assignments with pass-through 2 pin assignments. Swaps SDA1_RX1 (MFP0) with SDA2_RX2 (MFP5), and SCL1_TX1 (MFP1) with SCL2_TX2 (MFP6).	0b0: Do not swap pin assignments 0b1: Swap pin assignments

BITFIELD	BITS	DESCRIPTION	DECODE
UART_2_EN	5	Enable pass-through UART Channel 2 (SDA2/RX2, SCL2/TX2) (MFP5/6)	0b0: Pass-through UART Channel 2 disabled 0b1: Pass-through UART Channel 2 enabled
UART_1_EN	4	Enable pass-through UART Channel 1 (SDA1/RX1, SCL1/TX1) (MFP0/1)	0b0: Pass-through UART Channel 1 disabled 0b1: Pass-through UART Channel 1 enabled
DIS_REM_C_C_B	2	Disable access to Link B serializer control channel over GMSL2 connection from RX/SDA and TX/SCL pins	0b0: Remote control channel enabled 0b1: Remote control channel disabled

REG4 (0x4)

BIT	7	6	5	4	3	2	1	0
Field	RSVD	RSVD	RSVD	RSVD	TX_RATE_B[1:0]		RX_RATE_B[1:0]	
Reset	0b1	0b1	0b0	0b0	0b00		0b10	
Access Type					Write, Read		Write, Read	

BITFIELD	BITS	DESCRIPTION	DECODE
TX_RATE_B	3:2	Link B Transmitter Rate When changing this value, restart the link with a write to the RESET_ONESHOT or RESET_LINK register for the new value to take effect.	0b00: 187.5Mbps 0b01: Reserved 0b10: Reserved 0b11: Reserved
RX_RATE_B	1:0	Link B Receiver Rate When changing this value, restart the link with a write to the RESET_ONESHOT or RESET_LINK register for the new value to take effect. Default value is set by configuration pins at power-up.	0b00: Reserved 0b01: 3Gbps 0b10: 6Gbps 0b11: 12Gbps (applies to GMSL3 capable parts)

REG5 (0x5)

BIT	7	6	5	4	3	2	1	0
Field	LOCK_EN	ERRB_EN	LOCK_ALT_EN	RSVD	PU_LF3	PU_LF2	PU_LF1	PU_LF0
Reset	0b1	0b1	0b0	0b0	0b0	0b0	0b0	0b0
Access Type	Write, Read	Write, Read	Write, Read		Write, Read	Write, Read	Write, Read	Write, Read

BITFIELD	BITS	DESCRIPTION	DECODE
LOCK_EN	7	Enable LOCK output	0b0: LOCK output disabled 0b1: LOCK output enabled
ERRB_EN	6	Enable ERRB output	0b0: ERRB output disabled 0b1: ERRB output enabled
LOCK_ALT_EN	5	Enable LOCK alternate output	0b0: LOCK output disabled 0b1: LOCK output enabled
PU_LF3	3	Power up line-fault monitor 3	0b0: Line-fault monitor 3 disabled 0b1: Line-fault monitor 3 enabled
PU_LF2	2	Power up line-fault monitor 2	0b0: Line-fault monitor 2 disabled 0b1: Line-fault monitor 2 enabled
PU_LF1	1	Power up line-fault monitor 1	0b0: Line-fault monitor 1 disabled 0b1: Line-fault monitor 1 enabled

BITFIELD	BITS	DESCRIPTION	DECODE
PU_LF0	0	Power up line-fault monitor 0	0b0: Line-fault monitor 0 disabled 0b1: Line-fault monitor 0 enabled

REG6 (0x6)

BIT	7	6	5	4	3	2	1	0
Field	RSVD	RSVD	RSVD	I2CSEL	RSVD[3:0]			
Reset	0b1	0b1	0b0	0b0	0x0			
Access Type				Write, Read				

BITFIELD	BITS	DESCRIPTION	DECODE
I2CSEL	4	I ² C/UART selection Bit is set according to the CFG0 pin value at power-up. Changing this value through a register write is not recommended. Instead, change the CFG0 pin voltage and power up the device again.	0: UART 1: I ² C

REG7 (0x7)

BIT	7	6	5	4	3	2	1	0
Field	CMP_VTER M_STATUS	–	RSVD[5:0]					
Reset	0b0	–	0x27					
Access Type	Read Only	–						

BITFIELD	BITS	DESCRIPTION	DECODE
CMP_VTER M_STATUS	7	V _{TERM} supply undervoltage comparator status Latched low when switched V _{TERM} supply < 1V. Cleared when the CMP_STATUS word is read and the switched V _{TERM} supply is > 1V.	0b0: Latched low when V _{TERM} < 1V 0b1: Latched high when V _{TERM} > 1V

REG13 (0xD)

BIT	7	6	5	4	3	2	1	0
Field	DEV_ID[7:0]							
Reset	0xB6							
Access Type	Read Only							

BITFIELD	BITS	DESCRIPTION	DECODE
DEV_ID	7:0	Device Identifier	0xB8: MAX96716F

REG14 (0xE)

BIT	7	6	5	4	3	2	1	0
Field	RSVD[3:0]				DEV_REV[3:0]			
Reset	0x0				0x3			
Access Type					Read Only			

BITFIELD	BITS	DESCRIPTION	DECODE
DEV_REV	3:0	Device Revision. Refer to the device Errata sheet for correct RESET value.	0xX: Revision ID number. Refer to errata for specific revision ID.

REG26 (0x26)

BIT	7	6	5	4	3	2	1	0
Field	–	LF_1[2:0]			–	LF_0[2:0]		
Reset	–	0b010			–	0b010		
Access Type	–	Read Only			–	Read Only		

BITFIELD	BITS	DESCRIPTION	DECODE
LF_1	6:4	Line-fault status of wire connected to LMN1 pin	0b000: Short to battery 0b001: Short to GND 0b010: Normal operation 0b011: Line open 0b1XX: Line-to-line short
LF_0	2:0	Line-fault status of wire connected to LMN0 pin	0b000: Short to battery 0b001: Short to GND 0b010: Normal operation 0b011: Line open 0b1XX: Line-to-line short

REG27 (0x27)

BIT	7	6	5	4	3	2	1	0
Field	–	LF_3[2:0]			–	LF_2[2:0]		
Reset	–	0b010			–	0b010		
Access Type	–	Read Only			–	Read Only		

BITFIELD	BITS	DESCRIPTION	DECODE
LF_3	6:4	Line-fault status of wire connected to LMN3 pin	0b000: Short to battery 0b001: Short to GND 0b010: Normal operation 0b011: Line open 0b1XX: Line-to-line short
LF_2	2:0	Line-fault status of wire connected to LMN2 pin	0b000: Short to battery 0b001: Short to GND 0b010: Normal operation 0b011: Line open 0b1XX: Line-to-line short

IO_CHK0 (0x38)

BIT	7	6	5	4	3	2	1	0
Field	PIN_DRV_EN_0[7:0]							
Reset	0x00							
Access Type	Write, Read							

BITFIELD	BITS	DESCRIPTION	DECODE
PIN_DRV_EN_0	7:0	<p>Bits 1:0: Set source clock frequency for RGB888 test pattern generator.</p> <p>Used together with register PATGEN_CLK_SRC register bit. When bit 1 of this register is set to 1, PATGEN_CLK_SRC controls the clock selection. When bit 1 is 0, then bit 0 controls the clock selection. See PATGEN_CLK_SRC for more details.</p> <p>Bits 7:2: Reserved</p>	<p>0x00: See RGB888 Video-Pattern Generator Section</p> <p>0x01: See RGB888 Video-Pattern Generator Section</p> <p>0x02: See RGB888 Video-Pattern Generator Section</p> <p>0x03: See RGB888 Video-Pattern Generator Section</p> <p>Others: Reserved</p>

PWR0 (0x8)

BIT	7	6	5	4	3	2	1	0
Field	VDDBAD_STATUS[2:0]				CMP_STATUS[4:0]			
Reset	0b000				0b00000			
Access Type	Read Only				Read Only			

BITFIELD	BITS	DESCRIPTION	DECODE
VDDBAD_STATUS	7:5	Switched 1V supply comparator status bits	<p>0bXX1: Latched high when CAP_VDD < 0.82V</p> <p>0bX1X: Latched high when CAP_VDD < 0.82V</p> <p>0bX00: CAP_VDD > 0.82V</p> <p>0b1XX: Reserved</p>
CMP_STATUS	4:0	V _{DD18} , V _{DDIO} , and CAP_VDD supply voltage comparator status bits	<p>0bXXXX0: Latched low when V_{DD18} < 1.617V</p> <p>0bXXX0X: Latched low when switched V_{DDIO} supply < 1.617V</p> <p>0bXX0XX: Latched low when CAP_VDD < 0.82V</p> <p>0bX0XXX: Reserved</p> <p>0b0XXXX: Reserved</p> <p>0bXX111: All supplies are at expected levels</p>

PWR1 (0x9)

BIT	7	6	5	4	3	2	1	0
Field	RSVD	RSVD	PORZ_STATUS[5:0]					
Reset	0b0	0b0	0b000000					
Access Type	Read Only							

BITFIELD	BITS	DESCRIPTION	DECODE
PORZ_STAT US	5:0	Power-on-reset status bits Bit 0: Latched low when either $V_{DD18} < 1.516V$ or $V_{DDIO} < 1.055V$	Bit 1: Reserved Bit 2: Latched low when $V_{DDIO} < 1.055V$ Bit 3: Reserved Bit 4: Latched low when $V_{DD18} < 1.516V$ (resets 1V domain, need to raise V_{DD18} above 1.516V to read registers) Bit 5: Reserved

PWR4 (0xC)

BIT	7	6	5	4	3	2	1	0
Field	RSVD	DIS_LOCAL_WAKE	WAKE_EN_B	WAKE_EN_A	RSVD[3:0]			
Reset	0b0	0b0	0b0	0b1	0x5			
Access Type		Write, Read	Write, Read	Write, Read				

BITFIELD	BITS	DESCRIPTION	DECODE
DIS_LOCAL_WAKE	6	Disable wake-up by local μC from SDA_RX pin	0b0: Local wake-up enabled 0b1: Local wake-up disabled
WAKE_EN_B	5	Enable wake-up by remote chip connected to Link B	0b0: Link B remote wake-up disabled 0b1: Link B remote wake-up enabled
WAKE_EN_A	4	Enable wake-up by remote chip connected to Link A	0b0: Link A remote wake-up disabled 0b1: Link A remote wake-up enabled

CTRL0 (0x10)

BIT	7	6	5	4	3	2	1	0
Field	RESET_AL L	RESET_LIN K	RESET_ON ESHOT	AUTO_LIN K	SLEEP	REG_ENAB LE	LINK_CFG[1:0]	
Reset	0b0	0b0	0b0	0b1	0b0	0b0	0b01	
Access Type	Write, Read	Write, Read	Write Clears All, Read	Write, Read	Write, Read	Write, Read	Write, Read	

BITFIELD	BITS	DESCRIPTION	DECODE
RESET_ALL	7	Device Reset Writing a 1 to this bit resets the device (including all blocks) and resets registers to defaults. This is equivalent to toggling the PWDNB pin. The bit is cleared when written.	0b0: No action 0b1: Activate chip reset
RESET_LIN K	6	Link Reset Resets entire data path on Link A (keep register settings). Write 1 to activate reset, write 0 to release reset.	0b0: Release link A reset 0b1: Activate link A reset
RESET_ONE SHOT	5	One-Shot Link Reset Reset entire data path on Link A (keep register settings). Write 1 to activate reset, bit self clears and automatically releases reset.	0b0: No action 0b1: Reset data path

BITFIELD	BITS	DESCRIPTION	DECODE
AUTO_LINK	4	Automatically selects link configuration (single A or single B) Reverse splitter mode (two GMSL links enabled) is not automatic. For reverse splitter mode, set LINK_CFG = 11.	0b0: Disable auto link configuration 0b1: Enable auto link configuration
SLEEP	3	Activates sleep mode	0b0: Sleep mode disabled 0b1: Sleep mode enabled
REG_ENABLER	2	Enables V _{DD} LDO regulator. See Programming Notes.	0b0: V _{DD} LDO regulator bypassed 0b1: V _{DD} LDO regulator enabled. LDO should always be used unless V _{DD} is 1.05V or lower.
LINK_CFG	1:0	AUTO_LINK and this bitfield selects the link configuration per the decode table.	0b00: Reserved 0b01: Reserved. To select link A only, use LINK_EN_A and LINK_EN_B registers. This is the method to manually select link A only. 0b10: Reserved. To select link A only, use LINK_EN_A and LINK_EN_B registers. This is the method to manually select link B only. 0b11: Reverse Splitter mode. Both Link A and Link B selected.

CTRL1 (0x11)

BIT	7	6	5	4	3	2	1	0
Field	RSVD	RSVD	RSVD	–	RSVD	CXTP_B	RSVD	CXTP_A
Reset	0b0	0b0	0b0	–	0b1	0b0	0b1	0b0
Access Type				–		Write, Read		Write, Read

BITFIELD	BITS	DESCRIPTION	DECODE
CXTP_B	2	Coax/twisted-pair cable select for Link B Bit is set according to the latched CFG pin value at power-up.	0b0: Shielded twisted-pair drive 0b1: Coax drive
CXTP_A	0	Coax/twisted-pair cable select for Link A Bit is set according to the latched CFG pin value at power-up.	0b0: Shielded twisted-pair drive 0b1: Coax drive

CTRL2 (0x12)

BIT	7	6	5	4	3	2	1	0
Field	RSVD	RSVD	RESET_ONESHOT_B	REG_MNL	RSVD[1:0]		RSVD[1:0]	
Reset	0b0	0b0	0b0	0b0	0b01		0b00	
Access Type			Write Clears All, Read	Write, Read				

BITFIELD	BITS	DESCRIPTION	DECODE
RESET_ONESHOT_B	5	Reset entire data path on Link B (keep register settings). Write 1 to activate reset, bit self clears and automatically releases reset.	0b0: No action 0b1: Reset data path

BITFIELD	BITS	DESCRIPTION	DECODE
REG_MNL	4	Enable regulator manual mode to allow regulator to be forced on or off through REG_ENABLE (0x10).	0b0: Normal mode 0b1: Regulator manual mode

CTRL3 (0x13)

BIT	7	6	5	4	3	2	1	0
Field	RSVD	RSVD	LINK_MODE[1:0]		LOCKED	ERROR	CMU_LOCKED	RESET_LINK_B
Reset	0b0	0b0	0b01		0b0	0b0	0b0	0b0
Access Type			Read Only		Read Only	Read Only	Read Only	Write, Read

BITFIELD	BITS	DESCRIPTION	DECODE
LINK_MODE	5:4	Active link mode status	0b00: Reserved 0b01: Single Link A 0b10: Single Link B 0b11: Reverse Splitter mode (Both link A and B)
LOCKED	3	GMSL link locked (bidirectional). For Link A only.	0b0: GMSL2 link A not locked 0b1: GMSL2 link A locked
ERROR	2	Reflects global error status	0b0: ERRB not asserted (ERRB pin = 1) 0b1: ERRB asserted (ERRB pin = 0)
CMU_LOCKED	1	Clock multiplier unit (CMU) locked	0b0: CMU not locked 0b1: CMU locked
RESET_LINK_B	0	Reset entire data path on Link B (keep register settings). Write 1 to activate reset, write 0 to release reset.	0b0: Release link B reset 0b1: Activate link B reset

INTR0 (0x18)

BIT	7	6	5	4	3	2	1	0
Field	RSVD	RSVD	RSVD	–	AUTO_ERR_RST_EN	DEC_ERR_THR[2:0]		
Reset	0b1	0b0	0b1	–	0b0	0b000		
Access Type				–	Write, Read	Write, Read		

BITFIELD	BITS	DESCRIPTION	DECODE
AUTO_ERR_RST_EN	3	Automatically resets DEC_ERR_A (0x22), DEC_ERR_B (0x23), and IDLE_ERR (0x24) bitfields after ERRB pin is asserted for 1µs.	0b0: Autoreset disabled 0b1: Autoreset enabled

BITFIELD	BITS	DESCRIPTION	DECODE
DEC_ERR_THR	2:0	Decoding and Idle-Error Reporting Threshold DEC_ERR_FLAG_A (0x1B) is asserted when DEC_ERR_A (0x22) \geq DEC_ERR_THR. DEC_ERR_FLAG_B (0x1B) is asserted when DEC_ERR_B (0x23) \geq DEC_ERR_THR. IDLE_ERR_FLAG (0x1B) is asserted when IDLE_ERR (0x24) \geq DEC_ERR_THR. IDLE_ERR_FLAG_B (0x5011) is asserted when IDLE_ERR_B (0x5024) \geq DEC_ERR_THR.	0b000: 1 error 0b001: 2 errors 0b010: 4 errors 0b011: 8 errors 0b100: 16 errors 0b101: 32 errors 0b110: 64 errors 0b111: 128 errors

INTR1 (0x19)

BIT	7	6	5	4	3	2	1	0
Field	PKT_CNT_EXP[3:0]				AUTO_CNT_RST_EN	PKT_CNT_THR[2:0]		
Reset	0x0				0b0	0b000		
Access Type	Write, Read				Write, Read	Write, Read		

BITFIELD	BITS	DESCRIPTION	DECODE
PKT_CNT_EXP	7:4	Packet-Count Multiplier Exponent See the description of PKT_CNT (register CNT3) bitfield.	0bXXX: PKT_CNT exponent
AUTO_CNT_RST_EN	3	Automatically resets PKT_CNT bitfield (register CNT3) after ERRB pin is asserted for 1 μ s.	0b0: Autoreset disabled 0b1: Autoreset enabled
PKT_CNT_THR	2:0	Packet-count reporting threshold See the description of PKT_CNT (register CNT3). PKT_CNT_FLAG is asserted when PKT_CNT \geq PKT_CNT_THR.	0b000: 1 packet 0b001: 2 packets 0b010: 4 packets 0b011: 8 packets 0b100: 16 packets 0b101: 32 packets 0b110: 64 packets 0b111: 128 packets

INTR2 (0x1A)

BIT	7	6	5	4	3	2	1	0
Field	RSVD	RSVD	REM_ERR_OEN	RSVD	LFLT_INT_OEN	IDLE_ERR_OEN	DEC_ERR_OEN_B	DEC_ERR_OEN_A
Reset	0b0	0b0	0b0	0b0	0b1	0b0	0b1	0b1
Access Type			Write, Read		Write, Read	Write, Read	Write, Read	Write, Read
BITFIELD	BITS	DESCRIPTION			DECODE			
REM_ERR_OEN	5	Enables reporting of remote-error status (REM_ERR_FLAG - 0x1B) at ERRB pin			0b0: Reporting disabled 0b1: Reporting enabled			

BITFIELD	BITS	DESCRIPTION	DECODE
LFLT_INT_OEN	3	Enables reporting of line-fault interrupt (LFLT_INT - 0x1B) at ERRB pin	0b0: Reporting disabled 0b1: Reporting enabled
IDLE_ERR_OEN	2	Enables reporting of idle-word errors (IDLE_ERR_FLAG - 0x1B) at ERRB pin	0b0: Reporting disabled 0b1: Reporting enabled
DEC_ERR_OEN_B	1	Enables reporting of decoding errors (DEC_ERR_FLAG_B - 0x1B) at ERRB pin	0b0: Reporting disabled 0b1: Reporting enabled
DEC_ERR_OEN_A	0	Enable reporting of decoding errors (DEC_ERR_FLAG_A - 0x1B) at ERRB pin	0b0: Reporting disabled 0b1: Reporting enabled

INTR3 (0x1B)

BIT	7	6	5	4	3	2	1	0
Field	RSVD	RSVD	REM_ERR_FLAG	RSVD	LFLT_INT	IDLE_ERR_FLAG	DEC_ERR_FLAG_B	DEC_ERR_FLAG_A
Reset	0b0	0b0	0b0	0b0	0b0	0b0	0b0	0b0
Access Type			Read Only		Read Only	Read Only	Read Only	Read Only

BITFIELD	BITS	DESCRIPTION	DECODE
REM_ERR_FLAG	5	Received remote-side error status (inverse of remote side ERRB pin level)	0b0: No remote-side error 0b1: Remote-side error
LFLT_INT	3	Line-Fault Interrupt Asserted when any one of line-fault monitors indicates a fault status. See LF_0 (0x26) and LF_1 (0x26) bitfields for more information.	0b0: No line fault 0b1: Line fault
IDLE_ERR_FLAG	2	Idle-Word-Error Flag for Link A Asserted when IDLE_ERR (0x23) ≥ DEC_ERR_THR (0x18). For Link A only.	0b0: Flag not asserted 0b1: Flag asserted
DEC_ERR_FLAG_B	1	Decoding Error Flag for Link B Asserted when DEC_ERR_B (0x23) ≥ DEC_ERR_THR (0x18).	0b0: Flag not asserted 0b1: Flag asserted
DEC_ERR_FLAG_A	0	Decoding Error Flag for Link A Asserted when DEC_ERR_A (0x22) ≥ DEC_ERR_THR (0x18).	0b0: Flag not asserted 0b1: Flag asserted

INTR4 (0x1C)

BIT	7	6	5	4	3	2	1	0
Field	EOM_ERR_OEN_B	EOM_ERR_OEN_A	FEC_RX_ERR_OEN	–	MAX_RT_OEN	RT_CNT_OEN	PKT_CNT_OEN	WM_ERR_OEN
Reset	0b0	0b0	0b0	–	0b1	0b0	0b0	0b1
Access Type	Write, Read	Write, Read	Write, Read	–	Write, Read	Write, Read	Write, Read	Write, Read

BITFIELD	BITS	DESCRIPTION	DECODE
EOM_ERR_OEN_B	7	Enable reporting of eye-opening monitor (EOM) error (EOM_ERR_FLAG_B - 0x1D) for Link B at ERRB pin.	0b0: Reporting disabled 0b1: Reporting enabled

BITFIELD	BITS	DESCRIPTION	DECODE
EOM_ERR_OEN_A	6	Enable reporting of eye-opening monitor error (EOM_ERR_FLAG_A - 0x1D) for Link A at ERRB pin.	0b0: Reporting disabled 0b1: Reporting enabled
FEC_RX_ERR_OEN	5	Enable reporting of Link A FEC receive errors exceeding thresholds (FEC_ERR_FLAG - 0x1D) at ERRB pin.	0b0: Reporting disabled 0b1: Reporting enabled
MAX_RT_OEN	3	Enable reporting of Link A combined ARQ maximum retransmission limit error flag (MAX_RT_FLAG - 0x1D) at ERRB pin.	0b0: Reporting disabled 0b1: Reporting enabled
RT_CNT_OEN	2	Enable reporting of Link A combined ARQ retransmission event flag (RT_CNT_FLAG - 0x1D) at ERRB pin.	0b0: Reporting disabled 0b1: Reporting enabled
PKT_CNT_OEN	1	Enable reporting of Link A packet count flag (PKT_CNT_FLAG - 0x1D) at ERRB pin.	0b0: Reporting disabled 0b1: Reporting enabled
WM_ERR_OEN	0	Enable reporting of watermark errors (WM_ERR_FLAG - 0x1D) at ERRB pin	0b0: Reporting disabled 0b1: Reporting enabled

INTR5 (0x1D)

BIT	7	6	5	4	3	2	1	0
Field	EOM_ERR_FLAG_B	EOM_ERR_FLAG_A	FEC_RX_ERR_FLAG	–	MAX_RT_FLAG	RT_CNT_FLAG	PKT_CNT_FLAG	WM_ERR_FLAG
Reset	0b0	0b0	0b0	–	0b0	0b0	0b0	0b0
Access Type	Read Only	Read Only	Read Only	–	Read Only	Read Only	Read Only	Read Clears All

BITFIELD	BITS	DESCRIPTION	DECODE
EOM_ERR_FLAG_B	7	Eye-opening is below configured threshold for Link B	0b0: No EOM error on Link B 0b1: EOM error on Link B
EOM_ERR_FLAG_A	6	Eye-opening is below configured threshold for Link A	0b0: No EOM error on Link A 0b1: EOM error on Link A
FEC_RX_ERR_FLAG	5	FEC Receive Errors Flag for Link A Asserted when the FEC receiver correctable OR uncorrectable error counters exceed their thresholds for the first time. When reading this flag, the status gets cleared. The FEC statistics counters must also be reset for this flag to be asserted again. See the CLEAR_STATS register to reset the counters.	0b0: Flag not asserted 0b1: Flag asserted
MAX_RT_FLAG	3	Combined ARQ maximum retransmission limit error flag. For Link A only. Asserted when any of the selected channel's ARQ retransmission limit is reached. Selection is done by each channel's MAX_RT_ERR_OEN (0x1C) register bit.	0b0: Flag not asserted 0b1: Flag asserted

BITFIELD	BITS	DESCRIPTION	DECODE
RT_CNT_FLAG	2	Combined ARQ Retransmission Event Flag. For Link A only. Asserted when any of the selected channels have done at least one ARQ retransmission. Selection is done by each channel's RT_CNT_OEN register bit.	0b0: Flag not asserted 0b1: Flag asserted
PKT_CNT_FLAG	1	Packet Count Flag. For Link A only. Asserted when PKT_CNT (0x25) ≥ PKT_CNT_THR (0x19)	0b0: Flag not asserted 0b1: Flag asserted
WM_ERR_FLAG	0	Watermark Error Flag Asserted when a watermark error is detected	0b0: Flag not asserted 0b1: Flag asserted

INTR6 (0x1E)

BIT	7	6	5	4	3	2	1	0
Field	VDDCMP_INT_OEN	RSVD	VDDBAD_INT_OEN	FSYNC_ERR_R_OEN	LCRC_ERR_OEN	VPRBS_ERR_R_OEN	–	VID_PXL_CRC_ERR_OEN
Reset	0b0	0b0	0b0	0b1	0b1	0b1	–	0b0
Access Type	Write, Read		Write, Read	Write, Read	Write, Read	Write, Read	–	Write, Read

BITFIELD	BITS	DESCRIPTION	DECODE
VDDCMP_INT_OEN	7	Enable reporting of VDDCMP interrupt (VDDCMP_INT_FLAG - 0x1F) at ERRB pin	0b0: Reporting disabled 0b1: Reporting enabled
VDDBAD_INT_OEN	5	Enable reporting of VDDBAD interrupt (VDDBAD_INT_FLAG - 0x1F) at ERRB pin	0b0: Reporting disabled 0b1: Reporting enabled
FSYNC_ERR_OEN	4	Enable reporting of frame-sync errors (FSYNC_ERR_FLAG - 0x1F) at ERRB pin	0b0: Reporting disabled 0b1: Reporting enabled
LCRC_ERR_OEN	3	Enable reporting of video-line CRC errors (LCRC_ERR_FLAG - 0x1F) at ERRB pin	0b0: Reporting disabled 0b1: Reporting enabled
VPRBS_ERR_OEN	2	Enable reporting of video PRBS errors (VPRBS_ERR_FLAG - 0x1F) at ERRB pin	0b0: Reporting disabled 0b1: Reporting enabled
VID_PXL_CRC_ERR_OEN	0	Enable reporting of GMSL link packet CRC errors for video pixel data at ERRB pin	0b0: Reporting disabled 0b1: Reporting enabled

INTR7 (0x1F)

BIT	7	6	5	4	3	2	1	0
Field	VDDCMP_INT_FLAG	RSVD	VDDBAD_INT_FLAG	FSYNC_ERR_FLAG	LCRC_ERR_FLAG	VPRBS_ERR_FLAG	–	VID_PXL_CRC_ERR
Reset	0b0	0b0	0b0	0b0	0b0	0b0	–	0b0
Access Type	Read Only		Read Only	Read Only	Read Only	Read Only	–	Read Only

BITFIELD	BITS	DESCRIPTION	DECODE
VDDCMP_INT_FLAG	7	VDDCMP interrupt flag. This is a combined flag for undervoltage conditions for V _{DD18} , V _{DDIO} , CAP_VDD, and V _{TERM} .	0b0: Flag not asserted 0b1: Flag asserted
VDDBAD_INT_FLAG	5	V _{DD} status interrupt. This is a flag for CAP_VDD undervoltage condition.	0b0: Flag not asserted 0b1: Flag asserted
FSYNC_ERR_FLAG	4	Frame-sync error flag Asserted when FSYNC_ERR_CNT (0x3F0) ≥ FSYNC_ERR_THR (0x3F1).	0b0: Flag not asserted 0b1: Flag asserted
LCRC_ERR_FLAG	3	Video-line CRC error flag Asserted when a video-line CRC error is detected.	0b0: Flag not asserted 0b1: Flag asserted
VPRBS_ERR_FLAG	2	Video PRBS error flag Asserted when VPRBS_ERR (register PRBS_ERR) > 0	0b0: Flag not asserted 0b1: Flag asserted
VID_PXL_CRC_ERR	0	GMSL link packet CRC error flag for video pixel data	0b0: Error counter interrupt output not enabled 0b1: Error counter interrupt output enabled

INTR8 (0x20)

BIT	7	6	5	4	3	2	1	0
Field	ERR_TX_EN	RSVD	ERR_TX_EN_B	ERR_TX_ID[4:0]				
Reset	0b1	0b1	0b1	0b11111				
Access Type	Write, Read		Write, Read	Write, Read				

BITFIELD	BITS	DESCRIPTION	DECODE
ERR_TX_EN	7	Transmit local error status (inverse of ERRB pin level) to Link A remote side through GPIO channel	0b0: Transmit error status disabled 0b1: Transmit error status enabled
ERR_TX_EN_B	5	Transmit local-error status (inverse of ERRB pin level) to Link B remote side through GPIO channel	0b0: Transmit error status disabled 0b1: Transmit error status enabled
ERR_TX_ID	4:0	GPIO ID used for transmitting ERR_TX	0bXXXXX: Value of GPIO ID for transmitting ERR_TX

INTR9 (0x21)

BIT	7	6	5	4	3	2	1	0
Field	ERR_RX_EN	RSVD	ERR_RX_EN_B	ERR_RX_ID[4:0]				
Reset	0b1	0b1	0b1	0b11111				
Access Type	Write, Read		Write, Read	Write, Read				

BITFIELD	BITS	DESCRIPTION	DECODE
ERR_RX_EN	7	Receive Link A remote-error status (inverse of ERRB pin level) through GPIO channel	0b0: Receive error status disabled 0b1: Receive error status enabled

BITFIELD	BITS	DESCRIPTION	DECODE
ERR_RX_EN_B	5	Receive Link B remote-error status (inverse of ERRB pin level) through GPIO channel	0b0: Receive error status disabled 0b1: Receive error status enabled
ERR_RX_ID	4:0	GPIO ID used for receiving ERR_RX	0bXXXXX: Value of GPIO ID for receiving ERR_RX

CNT0 (0x22)

BIT	7	6	5	4	3	2	1	0
Field	DEC_ERR_A[7:0]							
Reset	0x00							
Access Type	Read Clears All							

BITFIELD	BITS	DESCRIPTION	DECODE
DEC_ERR_A	7:0	Number of decoding (disparity) errors detected at Link A Reset after reading or with the rising edge of LOCK.	0xXX: Number of Link A decoding errors detected

CNT1 (0x23)

BIT	7	6	5	4	3	2	1	0
Field	DEC_ERR_B[7:0]							
Reset	0x00							
Access Type	Read Clears All							

BITFIELD	BITS	DESCRIPTION	DECODE
DEC_ERR_B	7:0	Number of decoding (disparity) errors detected at Link B Reset after reading or with the rising edge of LOCK.	0xXX: Number of Link B decoding errors detected

CNT2 (0x24)

BIT	7	6	5	4	3	2	1	0
Field	IDLE_ERR[7:0]							
Reset	0x00							
Access Type	Read Clears All							

BITFIELD	BITS	DESCRIPTION	DECODE
IDLE_ERR	7:0	Number of idle-word errors detected for Link A. Reset after reading or with the rising edge of LOCK.	0xXX: Number of idle-word errors detected

[CNT3 \(0x25\)](#)

BIT	7	6	5	4	3	2	1	0
Field	PKT_CNT[7:0]							
Reset	0x00							
Access Type	Read Clears All							

BITFIELD	BITS	DESCRIPTION	DECODE
PKT_CNT	7:0	<p>Number of received packets of a selected type for Link A</p> <p>Packet type is selected with PKT_CNT_SEL (0x2C) register.</p> <p>Reported packet count is a scaled value, such that actual packet count is \geq PKT_CNT \times ($2^{\text{PKT_CNT_EXP}}$) and $<$ (PKT_CNT + 1) \times ($2^{\text{PKT_CNT_EXP}}$).</p> <p>When maximum value is reported, packet count is greater or equal to the reported value.</p>	0xXX: Scaled number of received packets

[TX0 \(0x28\)](#)

BIT	7	6	5	4	3	2	1	0
Field	RSVD[1:0]		RSVD	RSVD	–	–	RX_FEC_EN	RSVD
Reset	0b01		0b1	0b0	–	–	0b0	0b0
Access Type					–	–	Write, Read	

BITFIELD	BITS	DESCRIPTION	DECODE
RX_FEC_EN	1	Enable FEC on Link A in forward direction. For GMSL3 parts, bit is set according to the latched CFG1 pin value at power-up.	0b0: Disable 0b1: Enable

[TX1 \(0x29\)](#)

BIT	7	6	5	4	3	2	1	0
Field	LINK_PRBS_GEN	RSVD	–	ERRG_EN_A	RSVD	RSVD	RSVD	RSVD
Reset	0b0	0b0	–	0b0	0b1	0b0	0b0	0b0
Access Type	Write, Read		–	Write, Read				

BITFIELD	BITS	DESCRIPTION	DECODE
LINK_PRBS_GEN	7	Enable link PRBS-7 generator	0x0: Disabled 0x1: Enabled
ERRG_EN_A	4	Error generator enable for Link A (reverse channel). Error injection applies to all data going across the link.	0b0: Link A error generator disabled 0b1: Link A error generator enabled

[TX2 \(0x2A\)](#)

BIT	7	6	5	4	3	2	1	0
Field	ERRG_CNT[1:0]		ERRG_RATE[1:0]		ERRG_BURST[2:0]			ERRG_PER
Reset	0b00		0b10		0b000			0b0
Access Type	Write, Read		Write, Read		Write, Read			Write, Read

BITFIELD	BITS	DESCRIPTION	DECODE
ERRG_CNT	7:6	Number of errors to be generated	0b00: Continuous 0b01: 16 errors 0b10: 128 errors 0b11: 1024 errors
ERRG_RATE	5:4	Error generator average bit-error rate	0b00: 1 in 5120 bits 0b01: 1 in 81920 bits 0b10: 1 in 1310720 bits 0b11: 1 in 20971520 bits
ERRG_BURST	3:1	Error generator burst-error length	0b000: 1 0b001: 2 0b010: 3 0b011: 4 0b100: 8 0b101: 12 0b110: 16 0b111: 20
ERRG_PER	0	Error generator error-distribution selection	0b0: Pseudorandom 0b1: Periodic

[TX3 \(0x2B\)](#)

BIT	7	6	5	4	3	2	1	0
Field	RSVD[1:0]		RX_FEC_ACTIVE	RSVD	–	RSVD[2:0]		
Reset	0b01		0b0	0b0	–	0b100		
Access Type			Read Only		–			

BITFIELD	BITS	DESCRIPTION	DECODE
RX_FEC_ACTIVE	5	FEC is active	0b0: FEC disabled 0b1: FEC enabled

[RX0 \(0x2C\)](#)

BIT	7	6	5	4	3	2	1	0
Field	PKT_CNT_LBW[1:0]		RSVD	RSVD	PKT_CNT_SEL[3:0]			
Reset	0b00		0x0	0b0	0x0			
Access Type	Write, Read				Write, Read			

BITFIELD	BITS	DESCRIPTION	DECODE
PKT_CNT_L BW	7:6	Select the subtype of low-bandwidth (LBW) packets to count at PKT_CNT (0x25) bitfield register.	0b00: Count LBW data packets only 0b01: Count LBW acknowledge packets only 0b10: Count LBW data and acknowledge packets 0b11: Reserved
PKT_CNT_S EL	3:0	Select the type of received packets to count at PKT_CNT (0x25) bitfield The selected packet type must be supported by the device.	0x0: None 0x1: VIDEO 0x2: Reserved 0x3: INFO Frame 0x4: SPI 0x5: I ² C 0x6: UART 0x7: GPIO 0x8: Reserved 0x9: Reserved 0xA: Reserved 0xB: Reserved 0xC: Reserved 0xD: Reserved 0xE: All 0xF: Unknown and packets with error

RX1 (0x2D)

BIT	7	6	5	4	3	2	1	0
Field	LINK_PRBS_CHK	RSVD	RSVD[1:0]		RSVD[1:0]		RSVD	RSVD
Reset	0b0	0x0	0b10		0b10		0b0	0b0
Access Type	Write, Read							

BITFIELD	BITS	DESCRIPTION	DECODE
LINK_PRBS_CHK	7	Enable link PRBS-7 checker	0x0: Disabled 0x1: Enabled

RX3 (0x2F)

BIT	7	6	5	4	3	2	1	0
Field	–	–	–	RSVD	RSVD	RSVD	RSVD	RSVD
Reset	–	–	–	0b0	0b0	0b0	0b0	0b0
Access Type	–	–	–					

GPIOA (0x30)

BIT	7	6	5	4	3	2	1	0
Field	RSVD	RSVD	GPIO_FWD_CDLY[5:0]					
Reset	0b0	0b1	0b000001					
Access Type			Write, Read					

BITFIELD	BITS	DESCRIPTION	DECODE
GPIO_FWD_CDLY	5:0	<p>Compensation delay multiplier for the forward direction. For Link A.</p> <p>This must be the same value as GPIO_FWD_CDLY of the chip on the other side of the link.</p> <p>Total delay is the (value + 1) multiplied by 1.7μs. Default delay is 3.4μs.</p>	0bXXXXXX: Forward compensation delay multiplier value

GPIOB (0x31)

BIT	7	6	5	4	3	2	1	0
Field	GPIO_TX_WNDW[1:0]		GPIO_REV_CDLY[5:0]					
Reset	0b10		0b001000					
Access Type	Write, Read		Write, Read					

BITFIELD	BITS	DESCRIPTION	DECODE
GPIO_TX_WNDW	7:6	<p>Wait time after a GPIO transition to create a packet. For Link A.</p> <p>This allows grouping transitions of different GPIO inputs in a single packet and so increases GPIO bandwidth usage efficiency.</p>	0b00: Disabled 0b01: 200ns 0b10: 500ns 0b11: 1000ns
GPIO_REV_CDLY	5:0	<p>Compensation delay multiplier for the reverse direction. For Link A.</p> <p>This must be the same value as GPIO_REV_CDLY of the chip on the other side of the link.</p> <p>Total delay is the (value + 1) multiplied by 1.7μs. Default delay is 15.3μs.</p>	0bXXXXXX: Reverse compensation delay multiplier value

I2C_0 (0x40)

BIT	7	6	5	4	3	2	1	0
Field	–	–	SLV_SH[1:0]		–	SLV_TO[2:0]		
Reset	–	–	0b10		–	0b110		
Access Type	–	–	Write, Read		–	Write, Read		

BITFIELD	BITS	DESCRIPTION	DECODE
SLV_SH	5:4	<p>I²C-to-I²C subordinate-setup and hold-time setting.</p> <p>Configures the interval between SDA and SCL transitions when driven by the internal I²C subordinate.</p>	0b00: Set for I ² C Fast-mode Plus speed (1Mbps) 0b01: Set for I ² C Fast-mode speed (400Kbps) 0b10: Set for I ² C standard-mode speed (100Kbps) 0b11: Reserved

BITFIELD	BITS	DESCRIPTION	DECODE
SLV_TO	2:0	I ² C-to-I ² C subordinate timeout setting. Internal GMSL2 I ² C subordinate times out after the configured duration if it does not receive any response while waiting for a packet from remote device.	0b000: 16µs 0b001: 1ms 0b010: 2ms 0b011: 4ms 0b100: 8ms 0b101: 16ms 0b110: 32ms 0b111: Disabled

I2C_1 (0x41)

BIT	7	6	5	4	3	2	1	0
Field	RSVD	MST_BT[2:0]			–	MST_TO[2:0]		
Reset	0b0	0b101			–	0b110		
Access Type		Write, Read			–	Write, Read		

BITFIELD	BITS	DESCRIPTION	DECODE
MST_BT	6:4	I ² C-to-I ² C main bit rate setting. Configures the I ² C bit rate used by the internal I ² C main (in the device on the remote side from the external I ² C main). Set this according to the I ² C speed mode.	0b000: 9.92Kbps - Set for I ² C Standard mode speed 0b001: 33.2Kbps - Set for I ² C Standard mode speed 0b010: 99.2Kbps - Set for I ² C Standard or Fast-mode speed 0b011: 123Kbps - Set for I ² C Fast-mode speed 0b100: 203Kbps - Set for I ² C Fast-mode speed 0b101: 397Kbps - Set for I ² C Fast or Fast-mode Plus speed 0b110: 625Kbps - Set for I ² C Fast-mode Plus speed 0b111: 980Kbps - Set for I ² C Fast-mode Plus speed
MST_TO	2:0	I ² C-to-I ² C main timeout setting. Internal GMSL2 I ² C main times out after the configured duration if it does not receive any response while waiting for a packet from remote device.	0b000: 16µs 0b001: 1ms 0b010: 2ms 0b011: 4ms 0b100: 8ms 0b101: 16ms 0b110: 32ms 0b111: Disabled

I2C_2 (0x42)

BIT	7	6	5	4	3	2	1	0
Field	SRC_A[6:0]							–
Reset	0b0000000							–
Access Type	Write, Read							–

BITFIELD	BITS	DESCRIPTION	DECODE
SRC_A	7:1	I ² C address translator source A for main control channel. When an I ² C transaction across the GMSL link has a device address matching I ² C SRC_A, the device address as seen on the remote side is replaced by the device address in I ² C DST_A.	0bXXXXXXXX: Value of I ² C SRC_A

[I2C_3 \(0x43\)](#)

BIT	7	6	5	4	3	2	1	0
Field	DST_A[6:0]							–
Reset	0b0000000							–
Access Type	Write, Read							–

BITFIELD	BITS	DESCRIPTION	DECODE
DST_A	7:1	I ² C address translator destination A for main control channel. See the description of I ² C SRC_A.	0bXXXXXXXX: Value of I ² C DST_A

[I2C_4 \(0x44\)](#)

BIT	7	6	5	4	3	2	1	0
Field	SRC_B[6:0]							–
Reset	0b0000000							–
Access Type	Write, Read							–

BITFIELD	BITS	DESCRIPTION	DECODE
SRC_B	7:1	I ² C address translator source B for main control channel. When an I ² C transaction across the GMSL link has a device address matching I ² C SRC_B, the device address as seen on the remote side is replaced by the device address in I ² C DST_B.	0bXXXXXXXX: Value of I ² C SRC_B

[I2C_5 \(0x45\)](#)

BIT	7	6	5	4	3	2	1	0
Field	DST_B[6:0]							–
Reset	0b0000000							–
Access Type	Write, Read							–

BITFIELD	BITS	DESCRIPTION	DECODE
DST_B	7:1	I ² C address translator destination B for main control channel. See the description of I ² C SRC_B.	0bXXXXXXXX: Value of I ² C DST_B

I²C 7 (0x47)

BIT	7	6	5	4	3	2	1	0
Field	UART_RX_OVERFLOW	UART_TX_OVERFLOW	–	–	–	I2C_TIMED_OUT	REM_ACK_ACKED	REM_ACK_RECVD
Reset	0b0	0b0	–	–	–	0b0	0b0	0b0
Access Type	Read Clears All	Read Clears All	–	–	–	Read Clears All	Read Only	Read Only

BITFIELD	BITS	DESCRIPTION	DECODE
UART_RX_OVERFLOW	7	Flag to indicate overflow of the UART FIFO that holds data to receive from the GMSL link	0b0: No overflow occurred 0b1: Overflow occurred
UART_TX_OVERFLOW	6	Flag to indicate overflow of the UART FIFO that holds data to transmit across the GMSL link	0b0: No overflow occurred 0b1: Overflow occurred
I2C_TIMED_OUT	2	Internal I ² C-to-I ² C subordinate or main has timed out while receiving packet from remote device	0b0: No timeout occurred 0b1: Timeout occurred
REM_ACK_ACKED	1	Inverse of the I ² C Ack Bit received from remote side. Set to 1 when the Ack is received.	0b0: Ack not received 0b1: Ack received
REM_ACK_RECVD	0	I ² C Ack Bit for any I ² C byte is received from remote side for the previous I ² C packet.	0b0: Ack not received 0b1: Ack received

UART 0 (0x48)

BIT	7	6	5	4	3	2	1	0
Field	RSVD[1:0]		REM_MS_EN	LOC_MS_EN	BYPASS_D IS_PAR	BYPASS_TO[1:0]		BYPASS_EN
Reset	0b01		0b0	0b0	0b0	0b01		0b0
Access Type			Write, Read	Write, Read	Write, Read	Write, Read		Write, Read

BITFIELD	BITS	DESCRIPTION	DECODE
REM_MS_EN	5	<p>Enables UART Bypass Mode Control by Remote GPIO Pin</p> <p>When set, remote chip's GPIO is used as MS pin (UART mode select).</p> <p>When MS is high, chip is in Bypass mode; otherwise, it is in Base mode.</p> <p>In Bypass mode, the UART interface can only access an external UART interface through the MFP pins and cannot access the control channel. In Base mode, the control channel access is enabled.</p>	<p>0b0: UART Bypass mode not controlled by remote MS pin 0b1: UART Bypass mode controlled by remote MS pin</p>
LOC_MS_EN	4	<p>Enables UART Bypass mode control by local GPIO pin.</p> <p>Set to use GPIO2 pin as MS pin (UART mode select).</p> <p>When MS is high, chip is in Bypass mode; otherwise, chip is in Base mode.</p> <p>In Bypass mode, the UART interface can only access an external UART interface through the MFP pins and cannot access the control channel. In Base mode, the control channel access is enabled.</p>	<p>0b0: UART bypass mode not controlled by local MS pin 0b1: UART bypass mode controlled by local MS pin</p>
BYPASS_DISS_PAR	3	<p>Selects whether or not to receive and send parity bit in Bypass mode.</p>	<p>0b0: Receive and send parity bit in Bypass mode 0b1: Do not receive and send parity bit in Bypass mode</p>
BYPASS_TO	2:1	<p>UART Soft-Bypass Timeout Duration</p> <p>When set to 11, BYPASS_EN is never cleared, so the device stays in Bypass mode until the next power down.</p>	<p>0b00: 2ms 0b01: 8ms 0b10: 32ms 0b11: Disabled (bypass mode active until next power cycle/PWDNB)</p>
BYPASS_EN	0	<p>Enable UART Soft-Bypass Mode</p> <p>Bypass mode remains active as long as there is UART activity.</p> <p>When there is no UART activity for the selected duration (configured by BYPASS_TO bitfield), device exits Bypass mode, and the bit is automatically cleared.</p>	<p>0b0: UART soft-bypass mode disabled 0b1: UART soft-bypass mode enabled</p>

UART_1 (0x49)

BIT	7	6	5	4	3	2	1	0
Field	BITLEN_LSB[7:0]							
Reset	0x96							
Access Type	Read Only							

BITFIELD	BITS	DESCRIPTION	DECODE
BITLEN_LSB	7:0	UART detected bit length, low 8 bits. Detected UART pin BAUD rate in terms of 150MHz clock cycles.	0xXX: UART detected bit length, low 8 bits

UART 2 (0x4A)

BIT	7	6	5	4	3	2	1	0
Field	OUT_DELAY[1:0]		BITLEN_MSB[5:0]					
Reset	0b10		0b000000					
Access Type	Write, Read		Read Only					

BITFIELD	BITS	DESCRIPTION	DECODE
OUT_DELAY	7:6	UART initial output delay In Base mode, first received UART byte of a packet (Sync or Ack frame) is delayed by the configured number of bit times to output the UART frames of the same packet back-to-back on the remote side. This delay avoids a gap between the first byte and remaining bytes.	0b00: Do not wait 0b01: Wait for 4 bits 0b10: Wait for 8 bits 0b11: Wait for 1 bit
BITLEN_MSB	5:0	UART detected bit length, high 6 bits. Detected UART pin BAUD rate in terms of 150MHz clock cycles.	0xXX: UART detected bit length, upper 6 bits

I2C_PT 0 (0x4C)

BIT	7	6	5	4	3	2	1	0
Field	–	–	SLV_SH_PT[1:0]		–	SLV_TO_PT[2:0]		
Reset	–	–	0b10		–	0b110		
Access Type	–	–	Write, Read		–	Write, Read		

BITFIELD	BITS	DESCRIPTION	DECODE
SLV_SH_PT	5:4	Pass-Through 1 and 2 I ² C-to-I ² C Subordinate Setup and Hold-Time Setting (Setup, Hold) Configures the interval between SDA and SCL transitions when driven by the internal I ² C subordinate.	0b00: Set for I ² C Fast-mode Plus speed (1Mbps) 0b01: Set for I ² C Fast-mode speed (400Kbps) 0b10: Set for I ² C Standard-mode speed (100Kbps) 0b11: Reserved
SLV_TO_PT	2:0	Pass-Through 1 and 2 I ² C-to-I ² C Subordinate Timeout Setting Internal GMSL2 I ² C subordinate times out after the configured duration if it does not receive any response while waiting for a packet from remote device.	0b000: 16μs 0b001: 1ms 0b010: 2ms 0b011: 4ms 0b100: 8ms 0b101: 16ms 0b110: 32ms 0b111: Disabled

[I2C_PT_1 \(0x4D\)](#)

BIT	7	6	5	4	3	2	1	0
Field	RSVD	MST_BT_PT[2:0]			–	MST_TO_PT[2:0]		
Reset	0b0	0b101			–	0b110		
Access Type		Write, Read			–	Write, Read		

BITFIELD	BITS	DESCRIPTION	DECODE
MST_BT_PT	6:4	<p>Pass-Through 1 and 2 I²C-to-I²C Main Bit-Rate Setting</p> <p>Configures the I²C bit rate (SCL clock frequency) used by the internal I²C main (in the device on the remote side from the external I²C main).</p> <p>Set according to the I²C speed mode.</p>	<p>0b000: 9.92Kbps - Set for I²C Standard mode speed</p> <p>0b001: 33.2Kbps - Set for I²C Standard mode speed</p> <p>0b010: 99.2Kbps - Set for I²C Standard or Fast-mode speed</p> <p>0b011: 123Kbps - Set for I²C Fast-mode speed</p> <p>0b100: 203Kbps - Set for I²C Fast-mode speed</p> <p>0b101: 397Kbps - Set for I²C Fast or Fast-mode Plus speed</p> <p>0b110: 625Kbps - Set for I²C Fast-mode Plus speed</p> <p>0b111: 980Kbps - Set for I²C Fast-mode Plus speed</p>
MST_TO_PT	2:0	<p>Pass-Through 1 and 2 I²C-to-I²C Main Timeout Setting</p> <p>Internal GMSL2 I²C main times out after the configured duration if it does not receive any response while waiting for a packet from the remote device.</p>	<p>0b000: 16μs</p> <p>0b001: 1ms</p> <p>0b010: 2ms</p> <p>0b011: 4ms</p> <p>0b100: 8ms</p> <p>0b101: 16ms</p> <p>0b110: 32ms</p> <p>0b111: Disabled</p>

[I2C_PT_2 \(0x4E\)](#)

BIT	7	6	5	4	3	2	1	0
Field	RSVD	I2C_TIMED_OUT_2	RSVD	RSVD	RSVD	I2C_TIMED_OUT_1	RSVD	RSVD
Reset	0b0	0b0	0b0	0b0	0b0	0b0	0b0	0b0
Access Type		Read Clears All				Read Clears All		

BITFIELD	BITS	DESCRIPTION
I2C_TIMED_OUT_2	6	In pass-through I ² C channel 2, internal I ² C-to-I ² C subordinate or main has timed out while receiving packet from remote device
I2C_TIMED_OUT_1	2	In pass-through I ² C channel 1, internal I ² C-to-I ² C subordinate or main has timed out while receiving packet from remote device

UART_PT_0 (0x4F)

BIT	7	6	5	4	3	2	1	0
Field	BITLEN_M AN_CFG_2	DIS_PAR_2	RSVD	RSVD	BITLEN_M AN_CFG_1	DIS_PAR_1	RSVD	RSVD
Reset	0b1	0b0	0b0	0b0	0b1	0b0	0b0	0b0
Access Type	Write, Read	Write, Read			Write, Read	Write, Read		

BITFIELD	BITS	DESCRIPTION	DECODE
BITLEN_M AN_CFG_2	7	Use the custom UART bit rate (selected by the BITLEN_PT_2_L - 0x548 and BITLEN_PT_2_H - 0x549 bitfields) in pass-through UART Channel 1.	0b0: Use standard bit rate 0b1: Use custom bit rate
DIS_PAR_2	6	Disable parity bit in pass-through UART Channel 2	0b0: Parity bit enabled 0b1: Parity bit disabled
BITLEN_M AN_CFG_1	3	Use the custom UART bit rate (selected by the BITLEN_PT_1_L - 0x54A and BITLEN_PT_1_H - 0x54B bitfields) in pass-through UART Channel 1.	0b0: Use standard bit rate 0b1: Use custom bit rate
DIS_PAR_1	2	Disable parity bit in pass-through UART Channel 1	0b0: Parity bit enabled 0b1: Parity bit disabled

RX0 (0x50)

BIT	7	6	5	4	3	2	1	0
Field	RX_CRC_EN	–	–	–	–	–	STR_SEL[1:0]	
Reset	0b0	–	–	–	–	–	0b00	
Access Type	Write, Read	–	–	–	–	–	Write, Read	

BITFIELD	BITS	DESCRIPTION	DECODE
RX_CRC_EN	7	When set, indicates that packets received at this port have appended CRC and CRC checking should be performed at each packet.	0b0: No CRC on received packets 0b1: Received packets have CRC and checking is enabled
STR_SEL	1:0	Reserved. Do not use (legacy). Use register 0x161 VIDEO_PIPE_SEL instead.	

RX0 (0x51)

BIT	7	6	5	4	3	2	1	0
Field	RX_CRC_EN	–	–	–	–	–	STR_SEL[1:0]	
Reset	0b0	–	–	–	–	–	0b01	
Access Type	Write, Read	–	–	–	–	–	Write, Read	

BITFIELD	BITS	DESCRIPTION	DECODE
RX_CRC_EN	7	When set, indicates that packets received at this port have appended CRC and CRC checking should be performed at each packet.	0b0: No CRC on received packets 0b1: Received packets have CRC and checking is enabled
STR_SEL	1:0	Reserved. Do not use (legacy). Use register 0x161 VIDEO_PIPE_SEL instead.	

RX0 (0x52)

BIT	7	6	5	4	3	2	1	0
Field	RX_CRC_EN	–	–	–	–	–	STR_SEL[1:0]	
Reset	0b0	–	–	–	–	–	0b10	
Access Type	Write, Read	–	–	–	–	–	Write, Read	

BITFIELD	BITS	DESCRIPTION	DECODE
RX_CRC_EN	7	When set, indicates that packets received at this port have appended CRC and CRC checking should be performed at each packet.	0b0: No CRC on received packets 0b1: Received packets have CRC and checking is enabled
STR_SEL	1:0	Reserved. Do not use (legacy). Use register 0x161 VIDEO_PIPE_SEL instead.	

RX0 (0x53)

BIT	7	6	5	4	3	2	1	0
Field	RX_CRC_EN	–	–	–	–	–	STR_SEL[1:0]	
Reset	0b0	–	–	–	–	–	0b11	
Access Type	Write, Read	–	–	–	–	–	Write, Read	

BITFIELD	BITS	DESCRIPTION	DECODE
RX_CRC_EN	7	When set, indicates that packets received at this port have appended CRC and CRC checking should be performed at each packet.	0b0: No CRC on received packets 0b1: Received packets have CRC and checking is enabled
STR_SEL	1:0	Reserved. Do not use (legacy). Use register 0x161 VIDEO_PIPE_SEL instead.	

TR0 (0x60, 0x68, 0x78)

BIT	7	6	5	4	3	2	1	0
Field	TX_CRC_EN	RX_CRC_EN	RSVD[1:0]		PRIO_VAL[1:0]		PRIO_CFG[1:0]	
Reset	0b1	0b1	0b11		0b00		0b00	
Access Type	Write, Read	Write, Read			Write, Read		Write, Read	

BITFIELD	BITS	DESCRIPTION	DECODE
TX_CRC_EN	7	When set, calculate and append CRC to each packet transmitted from this port	0b0: Transmit CRC disabled 0b1: Transmit CRC enabled
RX_CRC_EN	6	When set, indicates that packets received at this port have appended CRC and CRC checking should be performed at each packet.	0b0: Receive CRC disabled 0b1: Receive CRC enabled
PRIO_VAL	3:2	Sets the priority for this channel's packet requests	0b00: Low priority 0b01: Normal priority 0b10: High priority 0b11: Urgent priority
PRIO_CFG	1:0	Adjust the priority used for this channel	0b00: Current channel priority is used 0b01: Increase current channel priority 0b10: Decrease current channel priority 0b11: Reset to channel PRIO_VAL[1:0] setting

TR1 (0x61, 0x69, 0x71, 0x79, 0x81, 0x89)

BIT	7	6	5	4	3	2	1	0
Field	BW_MULT[1:0]		BW_VAL[5:0]					
Reset	0b10		0b110000					
Access Type	Write, Read		Write, Read					

BITFIELD	BITS	DESCRIPTION	DECODE
BW_MULT	7:6	Channel bandwidth-allocation multiplication factor	0b00: Multiply BW_VAL by 1 0b01: Multiply BW_VAL by 4 0b10: Multiply BW_VAL by 16 0b11: Multiply BW_VAL by 16
BW_VAL	5:0	Channel bandwidth-allocation base. Used to calculate percentage of total link bandwidth used for this port. Fair bandwidth use ratio = BW_VAL x BW_MULT/10 as a percentage of total link bandwidth.	0bXXXXXX: Channel base-bandwidth value

TR3 (0x63, 0x6B, 0x73, 0x7B, 0x83, 0x8B)

BIT	7	6	5	4	3	2	1	0
Field	–	–	–	–	–	TX_SRC_ID[2:0]		
Reset	–	–	–	–	–	0b000		
Access Type	–	–	–	–	–	Write, Read		

BITFIELD	BITS	DESCRIPTION	DECODE
TX_SRC_ID	2:0	Source identifier used in packets transmitted from this channel. Default value is based on the device address set by the CFG0 pin.	0bXXX: Source ID for packets from this channel

[TR4 \(0x64, 0x6C, 0x74, 0x7C, 0x84, 0x8C\)](#)

BIT	7	6	5	4	3	2	1	0
Field	RX_SRC_SEL[7:0]							
Reset	0xFF							
Access Type	Write, Read							

BITFIELD	BITS	DESCRIPTION	DECODE
RX_SRC_SEL	7:0	Receive packets from selected sources. Each bit indicates if packets with that source ID should be received or not. This is a one-hot encoding. For example, when SRC_SEL = 00001001, then packets with source ID equal to 0 and 3 are received.	0x00: No packets received 0x01: Packets from source ID 0 received 0x02: Packets from source ID 1 received 0x03: Packets from source ID 0 and 1 received 0x04: Packets from source ID 2 received 0xFF: Packets from all source IDs received

[ARQ0 \(0x6D, 0x75, 0x7D, 0x85, 0x8D\)](#)

BIT	7	6	5	4	3	2	1	0
Field	RSVD	RSVD	MATCH_SRC_ID	ACK_SRC_ID	EN	DIS_DBL_ACK_RETX	–	–
Reset	0b1	0b0	0b0	0b1	0b1	0b0	–	–
Access Type			Write, Read	Write, Read	Write, Read	Write, Read	–	–

BITFIELD	BITS	DESCRIPTION	DECODE
MATCH_SRC_ID	5	Ack packet source ID checking method	0: All received Ack packets are accepted 1: Ack packet is accepted if SRC_ID of the received Ack packet matches TX_SRC_ID register
ACK_SRC_ID	4	Select what to use as SRC_ID in transmitted Ack packets	0: Use SRC_ID of the received data packet 1: Use TX_SRC_ID register
EN	3	Enable ARQ	0b0: ARQ disabled 0b1: ARQ enabled
DIS_DBL_ACK_RETX	2	Disable retransmission due to receiving same acknowledge twice.	0b0: Enabled 0b1: Disabled

[ARQ1 \(0x6E, 0x76, 0x7E, 0x86, 0x8E\)](#)

BIT	7	6	5	4	3	2	1	0
Field	–	MAX_RT[2:0]			–	–	MAX_RT_ERR_OEN	RT_CNT_OEN
Reset	–	0b111			–	–	0b1	0b0
Access Type	–	Write, Read			–	–	Write, Read	Write, Read

BITFIELD	BITS	DESCRIPTION	DECODE
MAX_RT	6:4	Maximum retransmit limit. ARQ stops retransmitting after trying retransmission after this many times for a single packet.	0bXXX: Binary value for number of times to retransmit

BITFIELD	BITS	DESCRIPTION	DECODE
MAX_RT_ERR_OEN	1	Enable reporting of ARQ maximum retransmission limit errors (MAX_RT_ERR - 0x616) for this channel at ERRB pin.	0b0: ARQ maximum retransmit limit errors reporting at ERRB pin disabled 0b1: ARQ maximum retransmit limit errors reporting at ERRB pin enabled
RT_CNT_OEN	0	Enable reporting of ARQ retransmission event for this channel at ERRB pin. When enabled, ERRB is asserted when RT_CNT of this channel is greater than 0.	0b0: ARQ retransmission count reporting at ERRB pin disabled 0b1: ARQ retransmission count reporting at ERRB pin enabled

ARQ2 (0x6F, 0x77, 0x7F, 0x87, 0x8F)

BIT	7	6	5	4	3	2	1	0
Field	MAX_RT_ERR	RT_CNT[6:0]						
Reset	0b0	0b0000000						
Access Type	Read Clears All	Read Clears All						

BITFIELD	BITS	DESCRIPTION	DECODE
MAX_RT_ERR	7	Reached maximum retransmission limit (MAX_RT) for one packet in this channel.	0b0: Maximum retransmission limit not reached 0b1: Maximum retransmission limit reached
RT_CNT	6:0	Total retransmission count in this channel.	0xXX: Count of retransmissions for this channel

TR0 (0x70, 0x80, 0x88)

BIT	7	6	5	4	3	2	1	0
Field	TX_CRC_EN	RX_CRC_EN	RSVD[1:0]		PRIO_VAL[1:0]		PRIO_CFG[1:0]	
Reset	0b1	0b1	0b11		0b00		0b00	
Access Type	Write, Read	Write, Read			Write, Read		Write, Read	

BITFIELD	BITS	DESCRIPTION	DECODE
TX_CRC_EN	7	When set, calculate and append CRC to each packet transmitted from this port	0b0: Transmit CRC disabled 0b1: Transmit CRC enabled
RX_CRC_EN	6	When set, indicates that packets received at this port have appended CRC and CRC checking should be performed at each packet.	0b0: Receive CRC disabled 0b1: Receive CRC enabled
PRIO_VAL	3:2	Sets the priority for this channel's packet requests	0b00: Low priority 0b01: Normal priority 0b10: High priority 0b11: Urgent priority
PRIO_CFG	1:0	Adjust the priority used for this channel	0b00: Current channel priority is used 0b01: Increase current channel priority 0b10: Decrease current channel priority 0b11: Reset to channel PRIO_VAL[1:0] setting

[VIDEO_RX0 \(0x112, 0x124\)](#)

BIT	7	6	5	4	3	2	1	0
Field	LCRC_ERR	RSVD	RSVD	RSVD	RSVD	LINE_CRC_SEL	LINE_CRC_EN	DIS_PKT_DET
Reset	0b0	0b0	0b1	0b1	0b0	0b0	0b1	0b0
Access Type	Read Clears All					Write, Read	Write, Read	Write, Read

BITFIELD	BITS	DESCRIPTION	DECODE
LCRC_ERR	7	Video-Line CRC Error Flag	0b0: No video line CRC error detected 0b1: Video line CRC error detected
LINE_CRC_SEL	2	Line-CRC Trigger Selection	0: Use DE 1: Use HS
LINE_CRC_EN	1	Video-Line CRC Enable	0b0: Video line CRC disabled 0b1: Video line CRC enabled
DIS_PKT_DET	0	Disable Packet Detector. Can be used when LIM_HEART is set to 1, to prevent the video pipe from timing out and resetting when no video packets are sent during long blanking intervals. If the video is restarted with a different bpp when the packet detector is disabled, toggle this register or the video receive enable register to make sure the video link restarts.	0b0: Packet detector enabled 0b1: Packet detector disabled

[VIDEO_RX3 \(0x115, 0x127\)](#)

BIT	7	6	5	4	3	2	1	0
Field	RSVD	HD_TR_MO DE	DLOCKED	VLOCKED	HLOCKED	DTRACKEN	VTRACKEN	HTRACKEN
Reset	0b0	0b1	0b0	0b0	0b0	0b0	0b0	0b0
Access Type		Write, Read	Read Only	Read Only	Read Only	Write, Read	Write, Read	Write, Read

BITFIELD	BITS	DESCRIPTION	DECODE
HD_TR_MO DE	6	Selects whether HS, DE tracking is fully periodic or if it stops during vertical blanking during HV tracking	0b0: Allow only partial periodic HS,DE tracking (stops during vertical blanking) 0b1: Allow partial periodic and full periodic HS, DE tracking
DLOCKED	5	DE tracking locked	0b0: DE tracking not locked 0b1: DE tracking locked
VLOCKED	4	VS tracking locked	0b0: VS tracking not locked 0b1: VS tracking locked
HLOCKED	3	HS tracking locked	0b0: HS tracking not locked 0b1: HS tracking locked
DTRACKEN	2	DE tracking enable (disable if FSYNC = 1) The system observes DE pulses and when it locks on the pattern, it can compensate for a limited number of missing pulses or suppress glitches.	0b0: DE tracking disabled 0b1: DE tracking enabled

BITFIELD	BITS	DESCRIPTION	DECODE
VTRACKEN	1	VS tracking enable (disable if FSYNC = 1) The system observes VS pulses and when it locks on the pattern, it can compensate for a limited number of missing pulses or suppress glitches.	0b0: VS tracking disabled 0b1: VS tracking enabled
HTRACKEN	0	HS tracking enable (disable if FSYNC = 1) The system observes HS pulses and when it locks on the pattern, it can compensate for a limited number of missing pulses or suppress glitches.	0b0: HSYNC tracking disabled 0b1: HSYNC tracking enabled

VIDEO_RX6 (0x118, 0x12A)

BIT	7	6	5	4	3	2	1	0
Field	RSVD[2:0]		RSVD	LIM_HEART	–	RSVD	RSVD	RSVD
Reset	0b000		0b0	0b0	–	0b1	0b0	0b0
Access Type				Write, Read	–			

BITFIELD	BITS	DESCRIPTION	DECODE
LIM_HEART	3	Disable heartbeat during blanking. Heartbeat is periodic video sync packets sent from the serializer so that the deserializer video output can replicate the video timing as seen in the serializer input. It is not necessary for MIPI.	0b0: Heartbeat enabled during blanking 0b1: Heartbeat disabled during blanking

VIDEO_RX8 (0x11A, 0x12C)

BIT	7	6	5	4	3	2	1	0
Field	VID_BLK_LEN_ERR	VID_LOCK	VID_PKT_DET	VID_SEQ_ERR	RSVD[3:0]			
Reset	0b0	0b0	0b0	0b0	0x2			
Access Type	Read Clears All	Read Only	Read Only	Read Clears All				

BITFIELD	BITS	DESCRIPTION	DECODE
VID_BLK_LEN_ERR	7	Video Rx video pixel data block-length error detected. A length mismatch happens when the received data length does not match what is expected for the video data bits per pixel.	0b0: No error detected 0b1: Video Rx block-length error detected
VID_LOCK	6	Video pipeline locked. Can also read the following registers to check if MIPI TX is outputting data: csi2_tx1/2_pkt_cnt, csi2_dup1/2_pkt_cnt, phy0/1/2/3_pkt_cnt.	0b0: Video pipeline not locked 0b1: Video pipeline locked
VID_PKT_DET	5	Sufficient video Rx packet throughput detected. When LIM_HEART=0, this is at least one video packet every 100us. When LIM_HEART=1, this is at least one video packet every 10ms.	0b0: Not enough throughput 0b1: Sufficient throughput detected

BITFIELD	BITS	DESCRIPTION	DECODE
VID_SEQ_ERR	4	Video Rx sequence error occurred. A sequence is an alternating 0 and 1 sent in the video packet headers. When a packet is dropped, there are two successive 0s or 1s.	0b0: No error detected 0b1: Error detected

VIDEO_RX10 (0x11C, 0x12E)

BIT	7	6	5	4	3	2	1	0
Field	VID_OVERFLOW	MASK_VIDEO_DE	RSVD[5:0]					
Reset	0b0	0b0	0b000000					
Access Type	Read Clears All	Write, Read						

BITFIELD	BITS	DESCRIPTION	DECODE
VID_OVERFLOW	7	Sticky bit for overflow detected in video Rx buffers, read to clear.	0: No error detected 1: Error detected
MASK_VIDEO_DE	6	Masks video when DE is low	0x0: Do not mask when DE is low 0x1: Mask when DE is low

VIDEO_PIPE_EN (0x160)

BIT	7	6	5	4	3	2	1	0
Field	–	–	–	–	–	–	VIDEO_PIPE_EN[1:0]	
Reset	–	–	–	–	–	–	0b11	
Access Type	–	–	–	–	–	–	Write, Read	

BITFIELD	BITS	DESCRIPTION	DECODE
VIDEO_PIPE_EN	1:0	Enables for video pipes	Bit 0 is enabled for Pipe Y, bit 1 is enabled for Pipe Z

VIDEO_PIPE_SEL (0x161)

BIT	7	6	5	4	3	2	1	0
Field	–	–	VIDEO_PIPE_SEL_Z[2:0]			VIDEO_PIPE_SEL_Y[2:0]		
Reset	–	–	0b110			0b010		
Access Type	–	–	Write, Read			Write, Read		

BITFIELD	BITS	DESCRIPTION	DECODE
VIDEO_PIPE_SEL_Z	5:3	Selects the incoming stream ID to receive in Video Pipe Z	0x0: Link A stream ID 00 0x1: Link A stream ID 01 0x2: Link A stream ID 10 0x3: Link A stream ID 11 0x4: Link B stream ID 00 0x5: Link B stream ID 01 0x6: Link B stream ID 10 0x7: Link B stream ID 11

BITFIELD	BITS	DESCRIPTION	DECODE
VIDEO_PIPE_SEL_Y	2:0	Selects the incoming stream ID to receive in Video Pipe Y	0x0: Link A stream ID 00 0x1: Link A stream ID 01 0x2: Link A stream ID 10 0x3: Link A stream ID 11 0x4: Link B stream ID 00 0x5: Link B stream ID 01 0x6: Link B stream ID 10 0x7: Link B stream ID 11

LINK_SEL (0x162)

BIT	7	6	5	4	3	2	1	0
Field	–	–	–	–	SPI_LINK_SELECT	UART_2_LINK_SELECT	UART_1_LINK_SELECT	UART_0_LINK_SELECT
Reset	–	–	–	–	0b0	0b0	0b0	0b0
Access Type	–	–	–	–	Write, Read	Write, Read	Write, Read	Write, Read

BITFIELD	BITS	DESCRIPTION	DECODE
SPI_LINK_SELECT	3	Selects link connection for SPI Port	0x0: Link A 0x1: Link B
UART_2_LINK_SELECT	2	UART Pass-Through 2 Link Connection Select	0x0: Link A 0x1: Link B
UART_1_LINK_SELECT	1	UART Pass-Through 1 Link Connection Select	0x0: Link A 0x1: Link B
UART_0_LINK_SELECT	0	Control Channel UART Link Connection Select	0x0: Link A 0x1: Link B

SPI_0 (0x170)

BIT	7	6	5	4	3	2	1	0
Field	SPI_LOC_ID[1:0]		SPI_CC_TRG_ID[1:0]		SPI_IGNORE_ID	SPI_CC_EN	MST_SLVN	SPI_EN
Reset	0b00		0b00		0b1	0b0	0b0	0b0
Access Type	Write, Read		Write, Read		Write, Read	Write, Read	Write, Read	Write, Read

BITFIELD	BITS	DESCRIPTION	DECODE
SPI_LOC_ID	7:6	Program to local ID if filtering packets based on header ID.	0b00: ID = 0 0b01: ID = 1 0b10: ID = 2 0b11: ID = 3
SPI_CC_TRG_ID	5:4	ID for GMSL2 header in SPI control-channel bridge mode	0b00: ID = 0 0b01: ID = 1 0b10: ID = 2 0b11: ID = 3
SPI_IGNORE_ID	3	Selects if SPI should use or ignore header ID to decide on packet acceptance	0b0: Accept only packets with proper ID 0b1: Ignore ID and accept all packets
SPI_CC_EN	2	Enable control-channel SPI bridge function	0b0: SPI bridge disabled 0b1: SPI bridge enabled

BITFIELD	BITS	DESCRIPTION	DECODE
MST_SLVN	1	Selects if SPI is main or subordinate	0b0: SPI subordinate 0b1: SPI main
SPI_EN	0	Enable SPI channel	0b0: SPI channel disabled 0b1: SPI channel enabled

SPI_1 (0x171)

BIT	7	6	5	4	3	2	1	0
Field	SPI_LOC_N[5:0]						SPI_BASE_Prio[1:0]	
Reset	0b000111						0b01	
Access Type	Write, Read						Write, Read	

BITFIELD	BITS	DESCRIPTION	DECODE
SPI_LOC_N	7:2	Sets the packet size ((2N + 1) bytes) for GMSL2 SPI packets. If this is programmed to a value more than 7, ARQ of the SPI channel must be disabled.	0b000000: Packet size is 1 byte 0b000001: Packet size is 3 bytes ... 0b111111: Packet size is 127 bytes
SPI_BASE_Prio	1:0	Starting GMSL2 request priority, advances by 1 (if room) if Tx buffer is over half-full.	

SPI_2 (0x172)

BIT	7	6	5	4	3	2	1	0
Field	REQ_HOLD_OFF[2:0]			FULL_SCK_SETUP	SPI_MOD3_F	SPI_MOD3	SPIM_SS2_ACT_H	SPIM_SS1_ACT_H
Reset	0b000			0b0	0b0	0b0	0b1	0b1
Access Type	Write, Read			Write, Read	Write, Read	Write, Read	Write, Read	Write, Read

BITFIELD	BITS	DESCRIPTION	DECODE
REQ_HOLD_OFF	7:5	Hold off transmitting data across GMSL link until this number of extra bytes are received on SPI port.	0b00: No extra bytes 0b01: 1 extra byte 0b10: 2 extra bytes 0b11: 3 extra bytes
FULL_SCK_SETUP	4	Sample MISO after half- or full-SCK period.	0b0: MISO sampled after half-SCK period 0b1: MISO sampled after full-SCK period
SPI_MOD3_F	3	Allows the suppression of an extra SCK prior to SS deassertion when SPI mode 3 is selected.	0b0: Extra SCK present prior to SS deassertion when in SPI mode 3 0b1: Extra SCK suppressed prior to SS deassertion when in SPI mode 3
SPI_MOD3	2	Selects SPI mode 0 or 3. In both modes, data is sampled on the rising clock edge and shifted out on the falling edge.	0b0: SPI mode 0. Clock polarity and phase are 0. Subordinate select asserts when clock is low. 0b1: SPI mode 3. Clock polarity and phase are 1. Subordinate select asserts when clock is high.
SPIM_SS2_ACT_H	1	Sets the polarity for SS2 when the SPI is a main.	0b0: Subordinate select 2 is active low 0b1: Subordinate select 2 is active high
SPIM_SS1_ACT_H	0	Sets the polarity for SS1 when the SPI is a main.	0b0: Subordinate select 1 is active low 0b1: Subordinate select 1 is active high

[SPI_3 \(0x173\)](#)

BIT	7	6	5	4	3	2	1	0
Field	SPIM_SS_DLY_CLKS[7:0]							
Reset	0x00							
Access Type	Write, Read							

BITFIELD	BITS	DESCRIPTION	DECODE
SPIM_SS_DLY_CLKS	7:0	Number of 300MHz clocks to delay between: <ul style="list-style-type: none"> Assertion of SS and start of SCK pulses End of SCK pulses and deassertion of SS Deassertion of SS and reassertion of SS (if necessary) 	0xXX: Number of clock delays

[SPI_4 \(0x174\)](#)

BIT	7	6	5	4	3	2	1	0
Field	SPIM_SCK_LO_CLKS[7:0]							
Reset	0x00							
Access Type	Write, Read							

BITFIELD	BITS	DESCRIPTION	DECODE
SPIM_SCK_LO_CLKS	7:0	Number of 300MHz clocks for SCK low time.	0xXX: Number of clocks for SCK low time

[SPI_5 \(0x175\)](#)

BIT	7	6	5	4	3	2	1	0
Field	SPIM_SCK_HI_CLKS[7:0]							
Reset	0x00							
Access Type	Write, Read							

BITFIELD	BITS	DESCRIPTION	DECODE
SPIM_SCK_HI_CLKS	7:0	Number of 300MHz clocks for SCK high time.	0xXX: Number of clocks for SCK high time

[SPI_6 \(0x176\)](#)

BIT	7	6	5	4	3	2	1	0
Field	–	–	BNE	SPIS_RWN	SS_IO_EN_2	SS_IO_EN_1	BNE_IO_EN	RWN_IO_EN
Reset	–	–	0b0	0b0	0b0	0b0	0b0	0b0
Access Type	–	–	Read Only	Write, Read	Write, Read	Write, Read	Write, Read	Write, Read

BITFIELD	BITS	DESCRIPTION	DECODE
BNE	5	Alternate GPU status register to use for BNE status if GPIO is not available	0b0: Buffer empty 0b1: Buffer not empty

BITFIELD	BITS	DESCRIPTION	DECODE
SPIS_RWN	4	Alternate GPU control register to use for read and write control if GPIO is not available.	0b0: Write 0b1: Read
SS_IO_EN_2	3	Enable GPIO for use as Subordinate Select 2 output.	0b0: GPIO not used for SPI SS2 function 0b1: GPIO used for SPI SS2 function
SS_IO_EN_1	2	Enable GPIO for use as Subordinate Select 1 output.	0b0: GPIO not used for SPI SS1 function 0b1: GPIO used for SPI SS1 function
BNE_IO_EN	1	Enable GPIO for use as BNE output for SPI data available status.	0b0: GPIO not used for SPI BNE function 0b1: GPIO used for SPI BNE function
RWN_IO_EN	0	Enable GPIO for use as RO input for control of SPI data movement.	0b0: GPIO not used for SPI RO function 0b1: GPIO used for SPI RO function

SPI 7 (0x177)

BIT	7	6	5	4	3	2	1	0
Field	SPI_RX_OVRFLW	SPI_TX_OVRFLW	RO_ALT	SPIS_BYTE_CNT[4:0]				
Reset	0b0	0b0	0b0	0b00000				
Access Type	Read Clears All	Read Clears All	Write, Read	Read Only				

BITFIELD	BITS	DESCRIPTION	DECODE
SPI_RX_OVRFLW	7	SPI Rx buffer overflow flag	0b0: No SPI Rx buffer overflow 0b1: SPI Rx buffer overflow
SPI_TX_OVRFLW	6	SPI Tx buffer overflow flag	0b0: No SPI Tx buffer overflow 0b1: SPI Tx buffer overflow
RO_ALT	5	When set to 1, use the alternative pin for RO	
SPIS_BYTE_CNT	4:0	Number of SPI data bytes available for reading from Rx buffer	0bXXXXX: Number of bytes available

SPI 8 (0x178)

BIT	7	6	5	4	3	2	1	0
Field	REQ_HOLD_OFF_TO[7:0]							
Reset	0x00							
Access Type	Write, Read							

BITFIELD	BITS	DESCRIPTION	DECODE
REQ_HOLD_OFF_TO	7:0	Timeout delay (in 100nS increments) for GMSL2 request hold off (0 is disable).	0xXX: Number of 100nS delay increments for GMSL2 request hold off

WM 0 (0x190)

BIT	7	6	5	4	3	2	1	0
Field	WM_LEN	WM_MODE[2:0]			WM_DET[1:0]		–	WM_EN
Reset	0b0	0b000			0b00		–	0b0
Access Type	Write, Read	Write, Read			Write, Read		–	Write, Read

BITFIELD	BITS	DESCRIPTION	DECODE
WM_LEN	7	Watermark Length	0b0: 32-bit 0b1: 64-bit
WM_MODE	6:4	Watermark Mode	0b000: Default generator mode - cycle through all four watermarks in video stream 0b001: Error generator mode - cycle through only two watermarks to replicate a frozen frame error condition 0b010: Reserved 0b011: Reserved 0b100: Reserved 0b101: Reserved 0b110: Reserved 0b111: Reserved
WM_DET	3:2	Watermark Detection/Generation	0b00: Insert watermark in video stream 0b01: Detect watermark and remove from outgoing video stream 0b10: Reserved 0b11: Reserved
WM_EN	0	Watermark Enable	0b0: Watermarking disabled 0b1: Watermarking enabled

WM_2 (0x192)

BIT	7	6	5	4	3	2	1	0
Field	–	RSVD[2:0]			HsyncPol	VsyncPol	WM_NPFILT[1:0]	
Reset	–	0b101			0b0	0b0	0b00	
Access Type	–				Write, Read	Write, Read	Write, Read	

BITFIELD	BITS	DESCRIPTION	DECODE
HsyncPol	3	HS Polarity	0b0: Noninverting 0x1: Invert
VsyncPol	2	VS Polarity	0b0: Noninverting 0x1: Invert
WM_NPFILT	1:0	Phase accumulator terminal count	0xXX: Counter value

WM_4 (0x194)

BIT	7	6	5	4	3	2	1	0
Field	–	–	RSVD[1:0]		RSVD	–	WM_MASKMODE[1:0]	
Reset	–	–	0b01		0b0	–	0b00	
Access Type	–	–				–	Write, Read	

BITFIELD	BITS	DESCRIPTION	DECODE
WM_MASKMODE	1:0	Sets watermark video mask behavior for the device	0b00: Mask video if WM is detected 0b01: Mask video if WM is detected, blank if error is detected 0b10: Reserved b011: Reserved

[WM_5 \(0x195\)](#)

BIT	7	6	5	4	3	2	1	0
Field	–	–	–	–	–	RSVD	WM_DETOU UT	WM_ERRO R
Reset	–	–	–	–	–	0b0	0b0	0b0
Access Type	–	–	–	–	–		Read Only	Read Only

BITFIELD	BITS	DESCRIPTION	DECODE
WM_DETOU T	1	Live value of frame-based detection output	0b0: Watermark not detected 0b1: Watermark detected
WM_ERROR	0	Live value of active-high watermark error	0b0: No watermark error 0b1: Watermark error active, bit automatically clears when error clears.

[WM_6 \(0x196\)](#)

BIT	7	6	5	4	3	2	1	0
Field	WM_TIMER[7:0]							
Reset	0x00							
Access Type	Write, Read							

BITFIELD	BITS	DESCRIPTION	DECODE
WM_TIMER	7:0	Time (in 2ms steps) the frozen-frame condition must be observed before an error is generated. 0 = No filter	0xXX: Number of milliseconds

[WM_WREN_0 \(0x1AE\)](#)

BIT	7	6	5	4	3	2	1	0
Field	WM_WREN_L[7:0]							
Reset	0x00							
Access Type	Write, Read							

BITFIELD	BITS	DESCRIPTION	DECODE
WM_WREN_ L	7:0	Works in conjunction with WM_WREN_H to enable writing to watermark registers. Writing is enabled to watermark registers when 0xBA is written to WM_WREN_L and 0xDC is written to WM_WREN_H registers. Otherwise, watermark registers are read-only.	0xBA: Enables writing to WM registers Others: WM registers remain read-only

[WM_WREN_1 \(0x1AF\)](#)

BIT	7	6	5	4	3	2	1	0
Field	WM_WREN_H[7:0]							
Reset	0x00							
Access Type	Write, Read							

BITFIELD	BITS	DESCRIPTION	DECODE
WM_WREN_H	7:0	Works in conjunction with WM_WREN_L to enable writing to watermark registers. Writing is enabled to watermark registers when 0xBA is written to WM_WREN_L and 0xDC is written to WM_WREN_H registers. Otherwise, watermark registers are read-only.	0xDC: Enables writing to WM registers Others: WM registers remain read-only

[CROSS_0 \(0x1E0, 0x200\)](#)

BIT	7	6	5	4	3	2	1	0
Field	–	CROSS0_I	CROSS0_F	CROSS0[4:0]				
Reset	–	0b0	0b0	0b00000				
Access Type	–	Write, Read	Write, Read	Write, Read				

BITFIELD	BITS	DESCRIPTION	DECODE
CROSS0_I	6	Invert outgoing bit 0	0b0: Do not invert bit 0b1: Invert bit
CROSS0_F	5	Force outgoing bit 0 to 0. Applied before inversion so that if inversion is also set, the outgoing bit is forced to 1.	0b0: Do not force bit to zero 0b1: Force bit to zero
CROSS0	4:0	Maps incoming bit position set by this field to the outgoing bit position 0	0bXXXXX: Incoming bit position

[CROSS_1 \(0x1E1, 0x201\)](#)

BIT	7	6	5	4	3	2	1	0
Field	–	CROSS1_I	CROSS1_F	CROSS1[4:0]				
Reset	–	0b0	0b0	0b00001				
Access Type	–	Write, Read	Write, Read	Write, Read				

BITFIELD	BITS	DESCRIPTION	DECODE
CROSS1_I	6	Invert outgoing bit 1	0b0: Do not invert bit 0b1: Invert bit
CROSS1_F	5	Force outgoing bit 1 to 0. Applied before inversion so that if inversion is also set, the outgoing bit is forced to 1.	0b0: Do not force bit to zero 0b1: Force bit to zero
CROSS1	4:0	Maps incoming bit position set by this field to the outgoing bit position 1	0bXXXXX: Incoming bit position

CROSS_2 (0x1E2, 0x202)

BIT	7	6	5	4	3	2	1	0
Field	–	CROSS2_I	CROSS2_F	CROSS2[4:0]				
Reset	–	0b0	0b0	0b00010				
Access Type	–	Write, Read	Write, Read	Write, Read				

BITFIELD	BITS	DESCRIPTION	DECODE
CROSS2_I	6	Invert outgoing bit 2	0b0: Do not invert bit 0b1: Invert bit
CROSS2_F	5	Force outgoing bit 2 to 0. Applied before inversion so that if inversion is also set, the outgoing bit is forced to 1.	0b0: Do not force bit to zero 0b1: Force bit to zero
CROSS2	4:0	Maps incoming bit position set by this field to the outgoing bit position 2	0bXXXXX: Incoming bit position

CROSS_3 (0x1E3, 0x203)

BIT	7	6	5	4	3	2	1	0
Field	–	CROSS3_I	CROSS3_F	CROSS3[4:0]				
Reset	–	0b0	0b0	0b00011				
Access Type	–	Write, Read	Write, Read	Write, Read				

BITFIELD	BITS	DESCRIPTION	DECODE
CROSS3_I	6	Invert outgoing bit 3	0b0: Do not invert bit 0b1: Invert bit
CROSS3_F	5	Force outgoing bit 3 to 0. Applied before inversion so that if inversion is also set, the outgoing bit is forced to 1.	0b0: Do not force bit to zero 0b1: Force bit to zero
CROSS3	4:0	Maps incoming bit position set by this field to the outgoing bit position 3	0bXXXXX: Incoming bit position

CROSS_4 (0x1E4, 0x204)

BIT	7	6	5	4	3	2	1	0
Field	–	CROSS4_I	CROSS4_F	CROSS4[4:0]				
Reset	–	0b0	0b0	0b00100				
Access Type	–	Write, Read	Write, Read	Write, Read				

BITFIELD	BITS	DESCRIPTION	DECODE
CROSS4_I	6	Invert outgoing bit 4	0b0: Do not invert bit 0b1: Invert bit
CROSS4_F	5	Force outgoing bit 4 to 0. Applied before inversion so that if inversion is also set, the outgoing bit is forced to 1.	0b0: Do not force bit to zero 0b1: Force bit to zero
CROSS4	4:0	Maps incoming bit position set by this field to the outgoing bit position 4	0bXXXXX: Incoming bit position

[CROSS_5 \(0x1E5, 0x205\)](#)

BIT	7	6	5	4	3	2	1	0
Field	–	CROSS5_I	CROSS5_F	CROSS5[4:0]				
Reset	–	0b0	0b0	0b00101				
Access Type	–	Write, Read	Write, Read	Write, Read				

BITFIELD	BITS	DESCRIPTION	DECODE
CROSS5_I	6	Invert outgoing bit 5	0b0: Do not invert bit 0b1: Invert bit
CROSS5_F	5	Force outgoing bit 5 to 0. Applied before inversion so that if inversion is also set, the outgoing bit is forced to 1.	0b0: Do not force bit to zero 0b1: Force bit to zero
CROSS5	4:0	Maps incoming bit position set by this field to the outgoing bit position 5	0bXXXXX: Incoming bit position

[CROSS_6 \(0x1E6, 0x206\)](#)

BIT	7	6	5	4	3	2	1	0
Field	–	CROSS6_I	CROSS6_F	CROSS6[4:0]				
Reset	–	0b0	0b0	0b00110				
Access Type	–	Write, Read	Write, Read	Write, Read				

BITFIELD	BITS	DESCRIPTION	DECODE
CROSS6_I	6	Invert outgoing bit 6	0b0: Do not invert bit 0b1: Invert bit
CROSS6_F	5	Force outgoing bit 6 to 0. Applied before inversion so that if inversion is also set, the outgoing bit is forced to 1.	0b0: Do not force bit to zero 0b1: Force bit to zero
CROSS6	4:0	Maps incoming bit position set by this field to the outgoing bit position 6	0bXXXXX: Incoming bit position

[CROSS_7 \(0x1E7, 0x207\)](#)

BIT	7	6	5	4	3	2	1	0
Field	–	CROSS7_I	CROSS7_F	CROSS7[4:0]				
Reset	–	0b0	0b0	0b00111				
Access Type	–	Write, Read	Write, Read	Write, Read				

BITFIELD	BITS	DESCRIPTION	DECODE
CROSS7_I	6	Invert outgoing bit 7	0b0: Do not invert bit 0b1: Invert bit
CROSS7_F	5	Force outgoing bit 7 to 0. Applied before inversion so that if inversion is also set, the outgoing bit is forced to 1.	0b0: Do not force bit to zero 0b1: Force bit to zero
CROSS7	4:0	Maps incoming bit position set by this field to the outgoing bit position 7	0bXXXXX: Incoming bit position

[CROSS_8 \(0x1E8, 0x208\)](#)

BIT	7	6	5	4	3	2	1	0
Field	–	CROSS8_I	CROSS8_F	CROSS8[4:0]				
Reset	–	0b0	0b0	0b01000				
Access Type	–	Write, Read	Write, Read	Write, Read				

BITFIELD	BITS	DESCRIPTION	DECODE
CROSS8_I	6	Invert outgoing bit 8	0b0: Do not invert bit 0b1: Invert bit
CROSS8_F	5	Force outgoing bit 8 to 0. Applied before inversion so that if inversion is also set, the outgoing bit is forced to 1.	0b0: Do not force bit to zero 0b1: Force bit to zero
CROSS8	4:0	Maps incoming bit position set by this field to the outgoing bit position 8	0bXXXXX: Incoming bit position

[CROSS_9 \(0x1E9, 0x209\)](#)

BIT	7	6	5	4	3	2	1	0
Field	–	CROSS9_I	CROSS9_F	CROSS9[4:0]				
Reset	–	0b0	0b0	0b01001				
Access Type	–	Write, Read	Write, Read	Write, Read				

BITFIELD	BITS	DESCRIPTION	DECODE
CROSS9_I	6	Invert outgoing bit 9	0b0: Do not invert bit 0b1: Invert bit
CROSS9_F	5	Force outgoing bit 9 to 0. Applied before inversion so that if inversion is also set, the outgoing bit is forced to 1.	0b0: Do not force bit to zero 0b1: Force bit to zero
CROSS9	4:0	Maps incoming bit position set by this field to the outgoing bit position 9	0bXXXXX: Incoming bit position

[CROSS_10 \(0x1EA, 0x20A\)](#)

BIT	7	6	5	4	3	2	1	0
Field	–	CROSS10_I	CROSS10_F	CROSS10[4:0]				
Reset	–	0b0	0b0	0b01010				
Access Type	–	Write, Read	Write, Read	Write, Read				

BITFIELD	BITS	DESCRIPTION	DECODE
CROSS10_I	6	Invert outgoing bit 10	0b0: Do not invert bit 0b1: Invert bit
CROSS10_F	5	Force outgoing bit 10 to 0. Applied before inversion so that if inversion is also set, the outgoing bit is forced to 1.	0b0: Do not force bit to zero 0b1: Force bit to zero
CROSS10	4:0	Maps incoming bit position set by this field to the outgoing bit position 10	0bXXXXX: Incoming bit position

[CROSS_11 \(0x1EB, 0x20B\)](#)

BIT	7	6	5	4	3	2	1	0
Field	–	CROSS11_I	CROSS11_F	CROSS11[4:0]				
Reset	–	0b0	0b0	0b01011				
Access Type	–	Write, Read	Write, Read	Write, Read				

BITFIELD	BITS	DESCRIPTION	DECODE
CROSS11_I	6	Invert outgoing bit 11	0b0: Do not invert bit 0b1: Invert bit
CROSS11_F	5	Force outgoing bit 11 to 0. Applied before inversion so that if inversion is also set, the outgoing bit is forced to 1.	0b0: Do not force bit to zero 0b1: Force bit to zero
CROSS11	4:0	Maps incoming bit position set by this field to the outgoing bit position 11	0bXXXXX: Incoming bit position

[CROSS_12 \(0x1EC, 0x20C\)](#)

BIT	7	6	5	4	3	2	1	0
Field	–	CROSS12_I	CROSS12_F	CROSS12[4:0]				
Reset	–	0b0	0b0	0b01100				
Access Type	–	Write, Read	Write, Read	Write, Read				

BITFIELD	BITS	DESCRIPTION	DECODE
CROSS12_I	6	Invert outgoing bit 12	0b0: Do not invert bit 0b1: Invert bit
CROSS12_F	5	Force outgoing bit 12 to 0. Applied before inversion so that if inversion is also set, the outgoing bit is forced to 1.	0b0: Do not force bit to zero 0b1: Force bit to zero
CROSS12	4:0	Maps incoming bit position set by this field to the outgoing bit position 12	0bXXXXX: Incoming bit position

[CROSS_13 \(0x1ED, 0x20D\)](#)

BIT	7	6	5	4	3	2	1	0
Field	–	CROSS13_I	CROSS13_F	CROSS13[4:0]				
Reset	–	0b0	0b0	0b01101				
Access Type	–	Write, Read	Write, Read	Write, Read				

BITFIELD	BITS	DESCRIPTION	DECODE
CROSS13_I	6	Invert outgoing bit 13	0b0: Do not invert bit 0b1: Invert bit
CROSS13_F	5	Force outgoing bit 13 to 0. Applied before inversion so that if inversion is also set, the outgoing bit is forced to 1.	0b0: Do not force bit to zero 0b1: Force bit to zero

BITFIELD	BITS	DESCRIPTION	DECODE
CROSS13	4:0	Maps incoming bit position set by this field to the outgoing bit position 13	0bXXXXX: Incoming bit position

CROSS 14 (0x1EE, 0x20E)

BIT	7	6	5	4	3	2	1	0
Field	–	CROSS14_I	CROSS14_F	CROSS14[4:0]				
Reset	–	0b0	0b0	0b01110				
Access Type	–	Write, Read	Write, Read	Write, Read				

BITFIELD	BITS	DESCRIPTION	DECODE
CROSS14_I	6	Invert outgoing bit 14	0b0: Do not invert bit 0b1: Invert bit
CROSS14_F	5	Force outgoing bit 14 to 0. Applied before inversion so that if inversion is also set, the outgoing bit is forced to 1.	0b0: Do not force bit to zero 0b1: Force bit to zero
CROSS14	4:0	Maps incoming bit position set by this field to the outgoing bit position 14	0bXXXXX: Incoming bit position

CROSS 15 (0x1EF, 0x20F)

BIT	7	6	5	4	3	2	1	0
Field	–	CROSS15_I	CROSS15_F	CROSS15[4:0]				
Reset	–	0b0	0b0	0b01111				
Access Type	–	Write, Read	Write, Read	Write, Read				

BITFIELD	BITS	DESCRIPTION	DECODE
CROSS15_I	6	Invert outgoing bit 15	0b0: Do not invert bit 0b1: Invert bit
CROSS15_F	5	Force outgoing bit 15 to 0. Applied before inversion so that if inversion is also set, the outgoing bit is forced to 1.	0b0: Do not force bit to zero 0b1: Force bit to zero
CROSS15	4:0	Maps incoming bit position set by this field to the outgoing bit position 15	0bXXXXX: Incoming bit position

CROSS 16 (0x1F0, 0x210)

BIT	7	6	5	4	3	2	1	0
Field	–	CROSS16_I	CROSS16_F	CROSS16[4:0]				
Reset	–	0b0	0b0	0b10000				
Access Type	–	Write, Read	Write, Read	Write, Read				

BITFIELD	BITS	DESCRIPTION	DECODE
CROSS16_I	6	Invert outgoing bit 16	0b0: Do not invert bit 0b1: Invert bit

BITFIELD	BITS	DESCRIPTION	DECODE
CROSS16_F	5	Force outgoing bit 16 to 0. Applied before inversion so that if inversion is also set, the outgoing bit is forced to 1.	0b0: Do not force bit to zero 0b1: Force bit to zero
CROSS16	4:0	Maps incoming bit position set by this field to the outgoing bit position 16	0bXXXXX: Incoming bit position

CROSS 17 (0x1F1, 0x211)

BIT	7	6	5	4	3	2	1	0
Field	–	CROSS17_I	CROSS17_F	CROSS17[4:0]				
Reset	–	0b0	0b0	0b10001				
Access Type	–	Write, Read	Write, Read	Write, Read				

BITFIELD	BITS	DESCRIPTION	DECODE
CROSS17_I	6	Invert outgoing bit 17	0b0: Do not invert bit 0b1: Invert bit
CROSS17_F	5	Force outgoing bit 17 to 0. Applied before inversion so that if inversion is also set, the outgoing bit is forced to 1.	0b0: Do not force bit to zero 0b1: Force bit to zero
CROSS17	4:0	Maps incoming bit position set by this field to the outgoing bit position 17	0bXXXXX: Incoming bit position

CROSS 18 (0x1F2, 0x212)

BIT	7	6	5	4	3	2	1	0
Field	–	CROSS18_I	CROSS18_F	CROSS18[4:0]				
Reset	–	0b0	0b0	0b10010				
Access Type	–	Write, Read	Write, Read	Write, Read				

BITFIELD	BITS	DESCRIPTION	DECODE
CROSS18_I	6	Invert outgoing bit 18	0b0: Do not invert bit 0b1: Invert bit
CROSS18_F	5	Force outgoing bit 18 to 0. Applied before inversion so that if inversion is also set, the outgoing bit is forced to 1.	0b0: Do not force bit to zero 0b1: Force bit to zero
CROSS18	4:0	Maps incoming bit position set by this field to the outgoing bit position 18	0bXXXXX: Incoming bit position

CROSS 19 (0x1F3, 0x213)

BIT	7	6	5	4	3	2	1	0
Field	–	CROSS19_I	CROSS19_F	CROSS19[4:0]				
Reset	–	0b0	0b0	0b10011				
Access Type	–	Write, Read	Write, Read	Write, Read				

BITFIELD	BITS	DESCRIPTION	DECODE
CROSS19_I	6	Invert outgoing bit 19	0b0: Do not invert bit 0b1: Invert bit
CROSS19_F	5	Force outgoing bit 19 to 0. Applied before inversion so that if inversion is also set, the outgoing bit is forced to 1.	0b0: Do not force bit to zero 0b1: Force bit to zero
CROSS19	4:0	Maps incoming bit position set by this field to the outgoing bit position 19	0bXXXXX: Incoming bit position

CROSS 20 (0x1F4, 0x214)

BIT	7	6	5	4	3	2	1	0
Field	–	CROSS20_I	CROSS20_F	CROSS20[4:0]				
Reset	–	0b0	0b0	0b10100				
Access Type	–	Write, Read	Write, Read	Write, Read				

BITFIELD	BITS	DESCRIPTION	DECODE
CROSS20_I	6	Invert outgoing bit 20	0b0: Do not invert bit 0b1: Invert bit
CROSS20_F	5	Force outgoing bit 20 to 0. Applied before inversion so that if inversion is also set, the outgoing bit is forced to 1.	0b0: Do not force bit to zero 0b1: Force bit to zero
CROSS20	4:0	Maps incoming bit position set by this field to the outgoing bit position 20	0bXXXXX: Incoming bit position

CROSS 21 (0x1F5, 0x215)

BIT	7	6	5	4	3	2	1	0
Field	–	CROSS21_I	CROSS21_F	CROSS21[4:0]				
Reset	–	0b0	0b0	0b10101				
Access Type	–	Write, Read	Write, Read	Write, Read				

BITFIELD	BITS	DESCRIPTION	DECODE
CROSS21_I	6	Invert outgoing bit 21	0b0: Do not invert bit 0b1: Invert bit
CROSS21_F	5	Force outgoing bit 21 to 0. Applied before inversion so that if inversion is also set, the outgoing bit is forced to 1.	0b0: Do not force bit to zero 0b1: Force bit to zero
CROSS21	4:0	Maps incoming bit position set by this field to the outgoing bit position 21	0bXXXXX: Incoming bit position

[CROSS_22 \(0x1F6, 0x216\)](#)

BIT	7	6	5	4	3	2	1	0
Field	–	CROSS22_I	CROSS22_F	CROSS22[4:0]				
Reset	–	0b0	0b0	0b10110				
Access Type	–	Write, Read	Write, Read	Write, Read				

BITFIELD	BITS	DESCRIPTION	DECODE
CROSS22_I	6	Invert outgoing bit 22	0b0: Do not invert bit 0b1: Invert bit
CROSS22_F	5	Force outgoing bit 22 to 0. Applied before inversion so that if inversion is also set, the outgoing bit is forced to 1.	0b0: Do not force bit to zero 0b1: Force bit to zero
CROSS22	4:0	Maps incoming bit position set by this field to the outgoing bit position 22	0bXXXXX: Incoming bit position

[CROSS_23 \(0x1F7, 0x217\)](#)

BIT	7	6	5	4	3	2	1	0
Field	–	CROSS23_I	CROSS23_F	CROSS23[4:0]				
Reset	–	0b0	0b0	0b10111				
Access Type	–	Write, Read	Write, Read	Write, Read				

BITFIELD	BITS	DESCRIPTION	DECODE
CROSS23_I	6	Invert outgoing bit 23	0b0: Do not invert bit 0b1: Invert bit
CROSS23_F	5	Force outgoing bit 23 to 0. Applied before inversion so that if inversion is also set, the outgoing bit is forced to 1.	0b0: Do not force bit to zero 0b1: Force bit to zero
CROSS23	4:0	Maps incoming bit position set by this field to the outgoing bit position 23	0bXXXXX: Incoming bit position

[CROSS_HS \(0x1F8, 0x218\)](#)

BIT	7	6	5	4	3	2	1	0
Field	–	CROSS_HS_I	CROSS_HS_F	CROSS_HS[4:0]				
Reset	–	0b0	0b0	0b11000				
Access Type	–	Write, Read	Write, Read	Write, Read				

BITFIELD	BITS	DESCRIPTION	DECODE
CROSS_HS_I	6	Invert CROSS_HS	0b0: Do not invert bit 0b1: Invert bit
CROSS_HS_F	5	Force CROSS_HS to 0. Applied before inversion so that if inversion is also set, the outgoing bit is forced to 1.	0b0: Do not force bit to zero 0b1: Force bit to zero
CROSS_HS	4:0	Map selected internal signal to HS	0bXXXXX: Incoming bit position

[CROSS_VS \(0x1F9, 0x219\)](#)

BIT	7	6	5	4	3	2	1	0
Field	–	CROSS_VS_I	CROSS_VS_F	CROSS_VS[4:0]				
Reset	–	0b0	0b0	0b11001				
Access Type	–	Write, Read	Write, Read	Write, Read				

BITFIELD	BITS	DESCRIPTION	DECODE
CROSS_VS_I	6	Invert CROSS_VS	0b0: Do not invert bit 0b1: Invert bit
CROSS_VS_F	5	Force CROSS_VS to 0. Applied before inversion so that if inversion is also set, the outgoing bit is forced to 1.	0b0: Do not force bit to zero 0b1: Force bit to zero
CROSS_VS	4:0	Map selected internal signal to VS	0bXXXXX: Incoming bit position

[CROSS_DE \(0x1FA, 0x21A\)](#)

BIT	7	6	5	4	3	2	1	0
Field	–	CROSS_DE_I	CROSS_DE_F	CROSS_DE[4:0]				
Reset	–	0b0	0b0	0b11010				
Access Type	–	Write, Read	Write, Read	Write, Read				

BITFIELD	BITS	DESCRIPTION	DECODE
CROSS_DE_I	6	Invert CROSS_DE	0b0: Do not invert bit 0b1: Invert bit
CROSS_DE_F	5	Force CROSS_DE to 0. Applied before inversion so that if inversion is also set, the outgoing bit is forced to 1.	0b0: Do not force bit to zero 0b1: Force bit to zero
CROSS_DE	4:0	Map selected internal signal to DE	0bXXXXX: Incoming bit position

[PRBS_ERR \(0x1FB, 0x21B\)](#)

BIT	7	6	5	4	3	2	1	0
Field	VPRBS_ERR[7:0]							
Reset	0x00							
Access Type	Read Clears All							

BITFIELD	BITS	DESCRIPTION	DECODE
VPRBS_ERR	7:0	Video PRBS error counter, clears on read	0xXX: Number of video PRBS errors since last read

VPRBS (0x1FC, 0x21C)

BIT	7	6	5	4	3	2	1	0
Field	PATGEN_CLK_SRC	–	VPRBS_FAIL	VPRBS_CHK_EN	–	–	RSVD	VIDEO_LOCK
Reset	0b1	–	0b0	0b0	–	–	0b0	0b0
Access Type	Write, Read	–	Read Only	Write, Read	–	–		Read Only

BITFIELD	BITS	DESCRIPTION	DECODE
PATGEN_CLK_SRC	7	Pattern-generator clock source for video PRBS 7, 9, 24, checkerboard, and gradient patterns. Set bit 1 of the PIN_DRV_EN_0 register to 1 for this register to take effect. If it is set to 0, then PIN_DRV_EN_0 bit 0 is used to select between a 75MHz clock (when 1) and 25MHz clock (when 0).	0x0: 150MHz 0x1: 600MHz (default)
VPRBS_FAIL	5	Video PRBS check pass/fail	0b0: Video PRBS check passed 0b1: Video check failed
VPRBS_CHK_EN	4	Enable video PRBS checker	0b0: Video PRBS checker disabled 0b1: Video PRBS checker enabled
VIDEO_LOCK	0	Video channel is locked and outputting valid video data	0b0: Video channel not locked 0b1: Video channel locked

CROSS_27 (0x1FD, 0x21D)

BIT	7	6	5	4	3	2	1	0
Field	RSVD	CROSS27_I	CROSS27_F	CROSS27[4:0]				
Reset	0b0	0b0	0b0	0b11011				
Access Type		Write, Read	Write, Read	Write, Read				

BITFIELD	BITS	DESCRIPTION	DECODE
CROSS27_I	6	Invert outgoing bit 27	0b0: Do not invert bit 0b1: Invert bit
CROSS27_F	5	Force outgoing bit 27 to 0. Applied before inversion so that if inversion is also set, the outgoing bit is forced to 1.	0b0: Do not force bit to zero 0b1: Force bit to zero
CROSS27	4:0	Maps incoming bit position set by this field to the outgoing bit position 27	0bXXXXX: Incoming bit position

CROSS_28 (0x1FE, 0x21E)

BIT	7	6	5	4	3	2	1	0
Field	–	CROSS28_I	CROSS28_F	CROSS28[4:0]				
Reset	–	0b0	0b0	0b11100				
Access Type	–	Write, Read	Write, Read	Write, Read				

BITFIELD	BITS	DESCRIPTION	DECODE
CROSS28_I	6	Invert outgoing bit 28	0b0: Do not invert bit 0b1: Invert bit
CROSS28_F	5	Force outgoing bit 28 to 0. Applied before inversion so that if inversion is also set, the outgoing bit is forced to 1.	0b0: Do not force bit to zero 0b1: Force bit to zero
CROSS28	4:0	Maps incoming bit position set by this field to the outgoing bit position 28	0bXXXXX: Incoming bit position

CROSS 29 (0x1FF, 0x21F)

BIT	7	6	5	4	3	2	1	0
Field	–	CROSS29_I	CROSS29_F	CROSS29[4:0]				
Reset	–	0b0	0b0	0b11101				
Access Type	–	Write, Read	Write, Read	Write, Read				

BITFIELD	BITS	DESCRIPTION	DECODE
CROSS29_I	6	Invert outgoing bit 29	0b0: Do not invert bit 0b1: Invert bit
CROSS29_F	5	Force outgoing bit 29 to 0. Applied before inversion so that if inversion is also set, the outgoing bit is forced to 1.	0b0: Do not force bit to zero 0b1: Force bit to zero
CROSS29	4:0	Maps incoming bit position set by this field to the outgoing bit position 29	0bXXXXX: Incoming bit position

PATGEN 0 (0x240)

BIT	7	6	5	4	3	2	1	0
Field	GEN_VS	GEN_HS	GEN_DE	VS_INV	HS_INV	DE_INV	VTG_MODE[1:0]	
Reset	0b0	0b0	0b0	0b0	0b0	0b0	0b11	
Access Type	Write, Read	Write, Read	Write, Read	Write, Read	Write, Read	Write, Read	Write, Read	

BITFIELD	BITS	DESCRIPTION	DECODE
GEN_VS	7	Enable to generate VS output according to the timing definition programmed in the registers in the VRX_PATGEN block	0b0: Do not generate VS 0b1: Generate VS
GEN_HS	6	Enable to generate HS output according to the timing definition programmed in the registers in the VRX_PATGEN block	0b0: Do not generate HS 0b1: Generate HS
GEN_DE	5	Enable to generate DE output according to the timing definition programmed in the registers in the VRX_PATGEN block	0b0: Do not generate DE 0b1: Generate DE
VS_INV	4	Invert VSYNC output of video-timing generator	0b0: Do not invert VS 0b1: Invert VS
HS_INV	3	Invert HSYNC output of video-timing generator	0b0: Do not invert HS 0b1: Invert HS
DE_INV	2	Invert DE output of video-timing generator	0b0: Do not invert DE 0b1: Invert DE

BITFIELD	BITS	DESCRIPTION	DECODE
VTG_MODE	1:0	<p>Video-Timing Generation Mode</p> <p>VS input edge triggers the generation of continuous frames of VSO/HSO/DEO even if no more VS input edges.</p> <p>If the next VS input edge comes earlier or later than expected by VS period, the newly-generated frame is correct.</p> <p>The current VSO/HSO/DEO is cut or extended at the time of the rising edge of the newly-generated VSO/HSO/DEO.</p>	<p>0b00: VS-tracking mode VS input's period (VS_HIGH + VS_LOW) is tracked. After VS tracking is locked, any VS input edge (glitches) not in the expected PCLK cycle is ignored. VS tracking is locked with three consecutive matches and unlocked by three consecutive mismatches. When unlocked or at power-up, the next VS input edge is assumed to be the right VS edge.</p> <p>0b01: VS on trigger mode One VS input edge triggers the generation of one frame of VSO/HSO/DEO. If the next VS input edge comes earlier or later than expected by VS period, the newly-generated frame is correct. The current VSO/HSO/DEO is cut or extended at the time of the rising edge of the newly-generated VSO/HSO/DEO.</p> <p>0b10: Auto-repeat mode VS input edge triggers the generation of continuous frames of VSO/HSO/DEO even if no more VS input edges. If the next VS input edge comes earlier or later than expected by VS period, the newly-generated frame is correct. The current VSO/HSO/DEO is cut or extended at the time of the rising edge of the newly-generated VSO/HSO/DEO.</p> <p>0b11: Free-running mode Automatically starts generating the pattern relying on VS input.</p>

PATGEN_1 (0x241)

BIT	7	6	5	4	3	2	1	0
Field	GRAD_MODE	–	PATGEN_MODE[1:0]		–	–	–	VS_TRIG
Reset	0b0	–	0b00		–	–	–	0b0
Access Type	Write, Read	–	Write, Read		–	–	–	Write, Read

BITFIELD	BITS	DESCRIPTION	DECODE
GRAD_MODE	7	Gradient Pattern-Generator Mode	<p>0b0: Gradient mode increasing. Each gradient color starts from a value of 0x00 and increases to 0xFF.</p> <p>0b1: Gradient mode decreasing. Each gradient color starts from a value of 0xFF and decreases to 0x00.</p>
PATGEN_MODE	5:4	Pattern-Generator Mode	<p>0b00: Pattern generator disabled (use video from the serializer input (default)).</p> <p>0b01: Generate checkerboard pattern</p> <p>0b10: Generate gradient pattern</p> <p>0b11: Reserved</p>
VS_TRIG	0	Select VS trigger edge	<p>0b0: Falling edge</p> <p>0b1: Rising edge</p>

[VS_DLY_2 \(0x242\)](#)

BIT	7	6	5	4	3	2	1	0
Field	VS_DLY_2[7:0]							
Reset	0x00							
Access Type	Write, Read							

BITFIELD	BITS	DESCRIPTION	DECODE
VS_DLY_2	7:0	VS delay in terms of PCLK cycles The generated output VS is delayed by VS_DELAY cycles from the input VS. ([23:16])	0xXX: Most significant byte of VS delay

[VS_DLY_1 \(0x243\)](#)

BIT	7	6	5	4	3	2	1	0
Field	VS_DLY_1[7:0]							
Reset	0x00							
Access Type	Write, Read							

BITFIELD	BITS	DESCRIPTION	DECODE
VS_DLY_1	7:0	VS delay in terms of PCLK cycles The generated output VS is delayed by VS_DELAY cycles from the input VS. ([15:8])	0xXX: Middle significant byte of VS delay

[VS_DLY_0 \(0x244\)](#)

BIT	7	6	5	4	3	2	1	0
Field	VS_DLY_0[7:0]							
Reset	0x00							
Access Type	Write, Read							

BITFIELD	BITS	DESCRIPTION	DECODE
VS_DLY_0	7:0	VS delay in terms of PCLK cycles The generated output VS is delayed by VS_DELAY cycles from the input VS. ([7:0])	0xXX: Least significant byte of VS delay

[VS_HIGH_2 \(0x245\)](#)

BIT	7	6	5	4	3	2	1	0
Field	VS_HIGH_2[7:0]							
Reset	0x00							
Access Type	Write, Read							

BITFIELD	BITS	DESCRIPTION	DECODE
VS_HIGH_2	7:0	VS high period in terms of PCLK cycles ([23:16])	0xXX: Most significant byte of VS high period

VS_HIGH_1 (0x246)

BIT	7	6	5	4	3	2	1	0
Field	VS_HIGH_1[7:0]							
Reset	0x00							
Access Type	Write, Read							

BITFIELD	BITS	DESCRIPTION	DECODE
VS_HIGH_1	7:0	VS high period in terms of PCLK cycles ([15:8])	0xXX: Middle significant byte of VS high period

VS_HIGH_0 (0x247)

BIT	7	6	5	4	3	2	1	0
Field	VS_HIGH_0[7:0]							
Reset	0x00							
Access Type	Write, Read							

BITFIELD	BITS	DESCRIPTION	DECODE
VS_HIGH_0	7:0	VS high period in terms of PCLK cycles ([7:0])	0xXX: Least significant byte of VS high period

VS_LOW_2 (0x248)

BIT	7	6	5	4	3	2	1	0
Field	VS_LOW_2[7:0]							
Reset	0x00							
Access Type	Write, Read							

BITFIELD	BITS	DESCRIPTION	DECODE
VS_LOW_2	7:0	VS low period in terms of PCLK cycles ([23:16])	0xXX: Most significant byte of VS low period

VS_LOW_1 (0x249)

BIT	7	6	5	4	3	2	1	0
Field	VS_LOW_1[7:0]							
Reset	0x00							
Access Type	Write, Read							

BITFIELD	BITS	DESCRIPTION	DECODE
VS_LOW_1	7:0	VS low period in terms of PCLK cycles ([15:8])	0xXX: Middle significant byte of VS low period

[VS_LOW_0 \(0x24A\)](#)

BIT	7	6	5	4	3	2	1	0
Field	VS_LOW_0[7:0]							
Reset	0x00							
Access Type	Write, Read							

BITFIELD	BITS	DESCRIPTION	DECODE
VS_LOW_0	7:0	VS low period in terms of PCLK cycles ([7:0])	0xXX: Least significant byte of VS low period

[V2H_2 \(0x24B\)](#)

BIT	7	6	5	4	3	2	1	0
Field	V2H_2[7:0]							
Reset	0x00							
Access Type	Write, Read							

BITFIELD	BITS	DESCRIPTION	DECODE
V2H_2	7:0	VS edge to the rising edge of the first HS in terms of PCLK cycles ([23:16])	0xXX: Most significant byte of VS edge to first HS rising edge

[V2H_1 \(0x24C\)](#)

BIT	7	6	5	4	3	2	1	0
Field	V2H_1[7:0]							
Reset	0x00							
Access Type	Write, Read							

BITFIELD	BITS	DESCRIPTION	DECODE
V2H_1	7:0	VS edge to the rising edge of the first HS in terms of PCLK cycles ([15:8])	0xXX: Middle significant byte of VS edge to first HS rising edge

[V2H_0 \(0x24D\)](#)

BIT	7	6	5	4	3	2	1	0
Field	V2H_0[7:0]							
Reset	0x00							
Access Type	Write, Read							

BITFIELD	BITS	DESCRIPTION	DECODE
V2H_0	7:0	VS edge to the rising edge of the first HS in terms of PCLK cycles ([7:0])	0xXX: Least significant byte of VS edge to first HS rising edge

[HS_HIGH_1 \(0x24E\)](#)

BIT	7	6	5	4	3	2	1	0
Field	HS_HIGH_1[7:0]							
Reset	0x00							
Access Type	Write, Read							

BITFIELD	BITS	DESCRIPTION	DECODE
HS_HIGH_1	7:0	HS high period in terms of PCLK cycles ([15:8])	0xXX: Most significant byte of HS high period

[HS_HIGH_0 \(0x24F\)](#)

BIT	7	6	5	4	3	2	1	0
Field	HS_HIGH_0[7:0]							
Reset	0x00							
Access Type	Write, Read							

BITFIELD	BITS	DESCRIPTION	DECODE
HS_HIGH_0	7:0	HS high period in terms of PCLK cycles ([7:0])	0xXX: Least significant byte of HS high period

[HS_LOW_1 \(0x250\)](#)

BIT	7	6	5	4	3	2	1	0
Field	HS_LOW_1[7:0]							
Reset	0x00							
Access Type	Write, Read							

BITFIELD	BITS	DESCRIPTION	DECODE
HS_LOW_1	7:0	HS low period in terms of PCLK cycles ([15:8])	0xXX: Most significant byte of HS low period

[HS_LOW_0 \(0x251\)](#)

BIT	7	6	5	4	3	2	1	0
Field	HS_LOW_0[7:0]							
Reset	0x00							
Access Type	Write, Read							

BITFIELD	BITS	DESCRIPTION	DECODE
HS_LOW_0	7:0	HS low period in terms of PCLK cycles ([7:0])	0xXX: Least significant byte of HS low period

[HS_CNT_1 \(0x252\)](#)

BIT	7	6	5	4	3	2	1	0
Field	HS_CNT_1[7:0]							
Reset	0x00							
Access Type	Write, Read							

BITFIELD	BITS	DESCRIPTION	DECODE
HS_CNT_1	7:0	HS pulses per frame ([15:8])	0xXX: Most significant byte of HS pulses per frame

[HS_CNT_0 \(0x253\)](#)

BIT	7	6	5	4	3	2	1	0
Field	HS_CNT_0[7:0]							
Reset	0x00							
Access Type	Write, Read							

BITFIELD	BITS	DESCRIPTION	DECODE
HS_CNT_0	7:0	HS pulses per frame [7:0])	0xXX: Least significant byte of HS pulses per frame

[V2D_2 \(0x254\)](#)

BIT	7	6	5	4	3	2	1	0
Field	V2D_2[7:0]							
Reset	0x00							
Access Type	Write, Read							

BITFIELD	BITS	DESCRIPTION	DECODE
V2D_2	7:0	VS edge to the rising edge of the first DE in terms of PCLK cycles ([23:16])	0xXX: Most significant byte of VS edge to first DE

[V2D_1 \(0x255\)](#)

BIT	7	6	5	4	3	2	1	0
Field	V2D_1[7:0]							
Reset	0x00							
Access Type	Write, Read							

BITFIELD	BITS	DESCRIPTION	DECODE
V2D_1	7:0	VS edge to the rising edge of the first DE in terms of PCLK cycles ([15:8])	0xXX: Middle significant byte of VS edge to first DE

[V2D_0 \(0x256\)](#)

BIT	7	6	5	4	3	2	1	0
Field	V2D_0[7:0]							
Reset	0x00							
Access Type	Write, Read							
BITFIELD	BITS	DESCRIPTION			DECODE			
V2D_0	7:0	VS edge to the rising edge of the first DE in terms of PCLK cycles ([23:16])			0xXX: Least significant byte of VS edge to first DE			

[DE_HIGH_1 \(0x257\)](#)

BIT	7	6	5	4	3	2	1	0
Field	DE_HIGH_1[7:0]							
Reset	0x00							
Access Type	Write, Read							
BITFIELD	BITS	DESCRIPTION			DECODE			
DE_HIGH_1	7:0	DE high period in terms of PCLK cycles ([15:8])			0xXX: Most significant byte of DE high period			

[DE_HIGH_0 \(0x258\)](#)

BIT	7	6	5	4	3	2	1	0
Field	DE_HIGH_0[7:0]							
Reset	0x00							
Access Type	Write, Read							
BITFIELD	BITS	DESCRIPTION			DECODE			
DE_HIGH_0	7:0	DE high period in terms of PCLK cycles ([7:0])			0xXX: Least significant byte of DE high period			

[DE_LOW_1 \(0x259\)](#)

BIT	7	6	5	4	3	2	1	0
Field	DE_LOW_1[7:0]							
Reset	0x00							
Access Type	Write, Read							
BITFIELD	BITS	DESCRIPTION			DECODE			
DE_LOW_1	7:0	DE low period in terms of PCLK cycles ([15:8])			0xXX: Most significant byte of DE low period			

[DE_LOW_0 \(0x25A\)](#)

BIT	7	6	5	4	3	2	1	0
Field	DE_LOW_0[7:0]							
Reset	0x00							
Access Type	Write, Read							

BITFIELD	BITS	DESCRIPTION	DECODE
DE_LOW_0	7:0	DE low period in terms of PCLK cycles ([7:0])	0xXX: Least significant byte of DE low period

[DE_CNT_1 \(0x25B\)](#)

BIT	7	6	5	4	3	2	1	0
Field	DE_CNT_1[7:0]							
Reset	0x00							
Access Type	Write, Read							

BITFIELD	BITS	DESCRIPTION	DECODE
DE_CNT_1	7:0	Active lines per frame ([15:8])	0xXX: Most significant byte of DE pulses per frame

[DE_CNT_0 \(0x25C\)](#)

BIT	7	6	5	4	3	2	1	0
Field	DE_CNT_0[7:0]							
Reset	0x00							
Access Type	Write, Read							

BITFIELD	BITS	DESCRIPTION	DECODE
DE_CNT_0	7:0	Active lines per frame ([7:0])	0xXX: Least significant byte of DE pulses per frame

[GRAD_INCR \(0x25D\)](#)

BIT	7	6	5	4	3	2	1	0
Field	GRAD_INCR[7:0]							
Reset	0x00							
Access Type	Write, Read							

BITFIELD	BITS	DESCRIPTION	DECODE
GRAD_INCR	7:0	Gradient mode increment amount (increment amount is the register value divided by 4). Each successive pixel's value in a line increments by this amount divided by 4.	0xXX: Gradient increment base

[CHKR_COLOR_A_L \(0x25E\)](#)

BIT	7	6	5	4	3	2	1	0
Field	CHKR_COLOR_A_L[7:0]							
Reset	0x00							
Access Type	Write, Read							
BITFIELD	BITS	DESCRIPTION			DECODE			
CHKR_COLOR_A_L	7:0	Checkerboard mode Color A low byte			0xXX: Least significant byte of checkerboard mode Color A			

[CHKR_COLOR_A_M \(0x25F\)](#)

BIT	7	6	5	4	3	2	1	0
Field	CHKR_COLOR_A_M[7:0]							
Reset	0x00							
Access Type	Write, Read							
BITFIELD	BITS	DESCRIPTION			DECODE			
CHKR_COLOR_A_M	7:0	Checkerboard mode Color A middle byte			0xXX: Middle significant byte of checkerboard mode Color A			

[CHKR_COLOR_A_H \(0x260\)](#)

BIT	7	6	5	4	3	2	1	0
Field	CHKR_COLOR_A_H[7:0]							
Reset	0x00							
Access Type	Write, Read							
BITFIELD	BITS	DESCRIPTION			DECODE			
CHKR_COLOR_A_H	7:0	Checkerboard mode Color A high byte			0xXX: Most significant byte of checkerboard mode Color A			

[CHKR_COLOR_B_L \(0x261\)](#)

BIT	7	6	5	4	3	2	1	0
Field	CHKR_COLOR_B_L[7:0]							
Reset	0x00							
Access Type	Write, Read							
BITFIELD	BITS	DESCRIPTION			DECODE			
CHKR_COLOR_B_L	7:0	Checkerboard mode Color B low byte			0xXX: Least significant byte of checkerboard mode Color B			

[CHKR_COLOR_B_M \(0x262\)](#)

BIT	7	6	5	4	3	2	1	0
Field	CHKR_COLOR_B_M[7:0]							
Reset	0x00							
Access Type	Write, Read							

BITFIELD	BITS	DESCRIPTION	DECODE
CHKR_COLOR_B_M	7:0	Checkerboard mode Color B middle byte	0xXX: Middle significant byte of checkerboard mode Color B

[CHKR_COLOR_B_H \(0x263\)](#)

BIT	7	6	5	4	3	2	1	0
Field	CHKR_COLOR_B_H[7:0]							
Reset	0x00							
Access Type	Write, Read							

BITFIELD	BITS	DESCRIPTION	DECODE
CHKR_COLOR_B_H	7:0	Checkerboard mode Color B high byte	0xXX: Most significant byte of checkerboard mode Color B

[CHKR_RPT_A \(0x264\)](#)

BIT	7	6	5	4	3	2	1	0
Field	CHKR_RPT_A[7:0]							
Reset	0x00							
Access Type	Write, Read							

BITFIELD	BITS	DESCRIPTION	DECODE
CHKR_RPT_A	7:0	Checkerboard mode Color A repeat count	0xXX: Repeat count of checkerboard mode Color A

[CHKR_RPT_B \(0x265\)](#)

BIT	7	6	5	4	3	2	1	0
Field	CHKR_RPT_B[7:0]							
Reset	0x00							
Access Type	Write, Read							

BITFIELD	BITS	DESCRIPTION	DECODE
CHKR_RPT_B	7:0	Checkerboard mode Color B repeat count	0xXX: Repeat count of checkerboard mode Color B

[CHKR_ALT \(0x266\)](#)

BIT	7	6	5	4	3	2	1	0
Field	CHKR_ALT[7:0]							
Reset	0x00							
Access Type	Write, Read							

BITFIELD	BITS	DESCRIPTION	DECODE
CHKR_ALT	7:0	Checkerboard mode alternate line count. Number of successive video lines that have the color A before switching to color B, and vice versa.	0xXX: Checkerboard mode alternate line count

[GPIO_A \(0x2B0\)](#)

GPIO 0

BIT	7	6	5	4	3	2	1	0
Field	RES_CFG	RSVD	TX_COMP_EN	GPIO_OUT	GPIO_IN	GPIO_RX_EN	GPIO_TX_EN	GPIO_OUT_DIS
Reset	0b1	0b0	0b0	0b0	0b0	0b0	0b1	0b1
Access Type	Write, Read		Write, Read	Write, Read	Read Only	Write, Read	Write, Read	Write, Read

BITFIELD	BITS	DESCRIPTION	DECODE
RES_CFG	7	Pull-Up/Pull-Down Resistor Strength	0b0: 40kΩ 0b1: 1MΩ
TX_COMP_EN	5	Enables jitter minimization compensation	0b0: Jitter compensation disabled 0b1: Jitter compensation enabled
GPIO_OUT	4	GPIO pin output drive value when GPIO_RX_EN = 0. This can be used to drive a value out on an MFP.	0b0: This GPIO pin output is driven to 0 0b1: This GPIO pin output is driven to 1
GPIO_IN	3	GPIO pin local MFP input level	0b0: This GPIO pin value is 0 0b1: This GPIO pin value is 1
GPIO_RX_EN	2	GPIO out source control. Set to 1 to receive GPIO value from GMSL link. Set GPIO_OUT_DIS to 0 to output the received value on the local MFP.	0b0: This GPIO source disabled for GMSL2 reception 0b1: This GPIO source enabled for GMSL2 reception
GPIO_TX_EN	1	GPIO Tx source control	0b0: This GPIO source disabled for GMSL2 transmission 0b1: This GPIO source enabled for GMSL2 transmission
GPIO_OUT_DIS	0	Disables GPIO output driver	0b0: Output driver enabled 0b1: Output driver disabled

[GPIO_B \(0x2B1\)](#)

GPIO 0

BIT	7	6	5	4	3	2	1	0
Field	PULL_UPDN_SEL[1:0]		OUT_TYPE	GPIO_TX_ID[4:0]				
Reset	0b10		0b1	0b00000				
Access Type	Write, Read		Write, Read	Write, Read				

BITFIELD	BITS	DESCRIPTION	DECODE
PULL_UPDN_SEL	7:6	Buffer Pull-Up/Pull-Down Configuration	0b00: None 0b01: Pull-up 0b10: Pull-down 0b11: Reserved
OUT_TYPE	5	Driver type selection	0b0: Open-drain 0b1: Push-pull
GPIO_TX_ID	4:0	GPIO ID for pin while transmitting	0bXXXXX: This GPIO transmit ID

GPIO_C (0x2B2)

GPIO 0

BIT	7	6	5	4	3	2	1	0
Field	OVR_RES_CFG	GPIO_RECVED	–	GPIO_RX_ID[4:0]				
Reset	0b0	0b1	–	0b00000				
Access Type	Write, Read	Write, Read	–	Write, Read				

BITFIELD	BITS	DESCRIPTION	DECODE
OVR_RES_CFG	7	Override non-GPIO port function IO setting. When set, RES_CFG, PULL_UPDN_SEL, OUT_TYPE, and GPIO_OUT_DIS are effective when pin is configured as non-GPIO. When cleared, non-GPIO pin function determines IO type.	0b0: Non-GPIO function determines IO type when alternate function is selected 0b1: RES_CFG, PULL_UPDN_SEL, OUT_TYPE, and GPIO_OUT_DIS determine IO type for non-GPIO configuration
GPIO_RECVED	6	Received GPIO value from across the GMSL link	
GPIO_RX_ID	4:0	GPIO ID for pin while receiving	0bXXXXX: This GPIO receive ID

GPIO_A (0x2B3)

GPIO 1

BIT	7	6	5	4	3	2	1	0
Field	RES_CFG	RSVD	TX_COMP_EN	GPIO_OUT	GPIO_IN	GPIO_RX_EN	GPIO_TX_EN	GPIO_OUT_DIS
Reset	0b1	0b0	0b0	0b0	0b0	0b1	0b0	0b0
Access Type	Write, Read		Write, Read	Write, Read	Read Only	Write, Read	Write, Read	Write, Read

BITFIELD	BITS	DESCRIPTION	DECODE
RES_CFG	7	Pull-Up/Pull-Down Resistor Strength	0b0: 40kΩ 0b1: 1MΩ

BITFIELD	BITS	DESCRIPTION	DECODE
TX_COMP_EN	5	Enables jitter minimization compensation	0b0: Jitter compensation disabled 0b1: Jitter compensation enabled
GPIO_OUT	4	GPIO pin output drive value when GPIO_RX_EN = 0. This can be used to drive a value out on an MFP.	0b0: This GPIO pin output is driven to 0 0b1: This GPIO pin output is driven to 1
GPIO_IN	3	GPIO pin local MFP input level	0b0: This GPIO pin value is 0 0b1: This GPIO pin value is 1
GPIO_RX_EN	2	GPIO out source control. Set to 1 to receive GPIO value from GMSL link. Set GPIO_OUT_DIS to 0 to output the received value on the local MFP.	0b0: This GPIO source disabled for GMSL2 reception 0b1: This GPIO source enabled for GMSL2 reception
GPIO_TX_EN	1	GPIO Tx source control. Set to 1 to transmit the local MFP input value across the GMSL link.	0b0: This GPIO source disabled for GMSL2 transmission 0b1: This GPIO source enabled for GMSL2 transmission
GPIO_OUT_DIS	0	Disables GPIO output driver	0b0: Output driver enabled 0b1: Output driver disabled

GPIO B (0x2B4)

GPIO 1

BIT	7	6	5	4	3	2	1	0
Field	PULL_UPDN_SEL[1:0]		OUT_TYPE	GPIO_TX_ID[4:0]				
Reset	0b10		0b1	0b00001				
Access Type	Write, Read		Write, Read	Write, Read				

BITFIELD	BITS	DESCRIPTION	DECODE
PULL_UPDN_SEL	7:6	Buffer Pull-Up/Pull-Down Configuration	0b00: None 0b01: Pull-up 0b10: Pull-down 0b11: Reserved
OUT_TYPE	5	Driver type selection	0b0: Open-drain 0b1: Push-pull
GPIO_TX_ID	4:0	GPIO ID for pin while transmitting	0bXXXXX: This GPIO transmit ID

GPIO C (0x2B5)

GPIO 1

BIT	7	6	5	4	3	2	1	0
Field	OVR_RES_CFG	RSVD	–	GPIO_RX_ID[4:0]				
Reset	0b0	0b1	–	0b00001				
Access Type	Write, Read		–	Write, Read				

BITFIELD	BITS	DESCRIPTION	DECODE
OVR_RES_CFG	7	Override non-GPIO port function IO setting. When set, RES_CFG, PULL_UPDN_SEL, OUT_TYPE, and GPIO_OUT_DIS are effective when pin is configured as non-GPIO. When cleared, non-GPIO pin function determines IO type.	0b0: Non-GPIO function determines IO type when alternate function is selected 0b1: RES_CFG, PULL_UPDN_SEL, OUT_TYPE, and GPIO_OUT_DIS determine IO type for non-GPIO configuration
GPIO_RX_ID	4:0	GPIO ID for pin while receiving	0bXXXXX: This GPIO receive ID

GPIO A (0x2B6)

GPIO 2

BIT	7	6	5	4	3	2	1	0
Field	RES_CFG	RSVD	TX_COMP_EN	GPIO_OUT	GPIO_IN	GPIO_RX_EN	GPIO_TX_EN	GPIO_OUT_DIS
Reset	0b1	0b0	0b0	0b0	0b0	0b0	0b0	0b1
Access Type	Write, Read		Write, Read	Write, Read	Read Only	Write, Read	Write, Read	Write, Read

BITFIELD	BITS	DESCRIPTION	DECODE
RES_CFG	7	Pull-Up/Pull-Down Resistor Strength	0b0: 40kΩ 0b1: 1MΩ
TX_COMP_EN	5	Enables jitter minimization compensation	0b0: Jitter compensation disabled 0b1: Jitter compensation enabled
GPIO_OUT	4	GPIO pin output drive value when GPIO_RX_EN = 0. This can be used to drive a value out on an MFP.	0b0: This GPIO pin output is driven to 0 0b1: This GPIO pin output is driven to 1
GPIO_IN	3	GPIO pin local MFP input level	0b0: This GPIO pin value is 0 0b1: This GPIO pin value is 1
GPIO_RX_EN	2	GPIO out source control. Set to 1 to receive GPIO value from GMSL link. Set GPIO_OUT_DIS to 0 to output the received value on the local MFP.	0b0: This GPIO source disabled for GMSL2 reception 0b1: This GPIO source enabled for GMSL2 reception
GPIO_TX_EN	1	GPIO Tx source control. Set to 1 to transmit the local MFP input value across the GMSL link.	0b0: This GPIO source disabled for GMSL2 transmission 0b1: This GPIO source enabled for GMSL2 transmission
GPIO_OUT_DIS	0	Disables GPIO output driver	0b0: Output driver enabled 0b1: Output driver disabled

GPIO B (0x2B7)

GPIO 2

BIT	7	6	5	4	3	2	1	0
Field	PULL_UPDN_SEL[1:0]		OUT_TYPE	GPIO_TX_ID[4:0]				
Reset	0b00		0b1	0b00010				
Access Type	Write, Read		Write, Read	Write, Read				

BITFIELD	BITS	DESCRIPTION	DECODE
PULL_UPDN_SEL	7:6	Buffer Pull-Up/Pull-Down Configuration	0b00: None 0b01: Pull-up 0b10: Pull-down 0b11: Reserved
OUT_TYPE	5	Driver type selection	0b0: Open-drain 0b1: Push-pull
GPIO_TX_ID	4:0	GPIO ID for pin while transmitting	0bXXXXX: This GPIO transmit ID

GPIO C (0x2B8)

GPIO 2

BIT	7	6	5	4	3	2	1	0
Field	OVR_RES_CFG	RSVD	–	GPIO_RX_ID[4:0]				
Reset	0b0	0b1	–	0b00010				
Access Type	Write, Read		–	Write, Read				

BITFIELD	BITS	DESCRIPTION	DECODE
OVR_RES_CFG	7	Override non-GPIO port function IO setting. When set, RES_CFG, PULL_UPDN_SEL, OUT_TYPE, and GPIO_OUT_DIS are effective when pin is configured as non-GPIO. When cleared, non-GPIO pin function determines IO type.	0b0: Non-GPIO function determines IO type when alternate function is selected 0b1: RES_CFG, PULL_UPDN_SEL, OUT_TYPE, and GPIO_OUT_DIS determine IO type for non-GPIO configuration
GPIO_RX_ID	4:0	GPIO ID for pin while receiving	0bXXXXX: This GPIO receive ID

GPIO A (0x2B9)

GPIO 3

BIT	7	6	5	4	3	2	1	0
Field	RES_CFG	RSVD	TX_COMP_EN	GPIO_OUT	GPIO_IN	GPIO_RX_EN	GPIO_TX_EN	GPIO_OUT_DIS
Reset	0b1	0b0	0b0	0b0	0b0	0b0	0b0	0b1
Access Type	Write, Read		Write, Read	Write, Read	Read Only	Write, Read	Write, Read	Write, Read

BITFIELD	BITS	DESCRIPTION	DECODE
RES_CFG	7	Pull-Up/Pull-Down Resistor Strength	0b0: 40kΩ 0b1: 1MΩ
TX_COMP_EN	5	Enables jitter minimization compensation	0b0: Jitter compensation disabled 0b1: Jitter compensation enabled
GPIO_OUT	4	GPIO pin output drive value when GPIO_RX_EN = 0. This can be used to drive a value out on an MFP.	0b0: This GPIO pin output is driven to 0 0b1: This GPIO pin output is driven to 1
GPIO_IN	3	GPIO pin local MFP input level	0b0: This GPIO pin value is 0 0b1: This GPIO pin value is 1

BITFIELD	BITS	DESCRIPTION	DECODE
GPIO_RX_EN	2	GPIO out source control. Set to 1 to receive GPIO value from GMSL link. Set GPIO_OUT_DIS to 0 to output the received value on the local MFP.	0b0: This GPIO source disabled for GMSL2 reception 0b1: This GPIO source enabled for GMSL2 reception
GPIO_TX_EN	1	GPIO Tx source control. Set to 1 to transmit the local MFP input value across the GMSL link.	0b0: This GPIO source disabled for GMSL2 transmission 0b1: This GPIO source enabled for GMSL2 transmission
GPIO_OUT_DIS	0	Disables GPIO output driver	0b0: Output driver enabled 0b1: Output driver disabled

GPIO B (0x2BA)

GPIO 3

BIT	7	6	5	4	3	2	1	0
Field	PULL_UPDN_SEL[1:0]		OUT_TYPE	GPIO_TX_ID[4:0]				
Reset	0b00		0b1	0b00011				
Access Type	Write, Read		Write, Read	Write, Read				

BITFIELD	BITS	DESCRIPTION	DECODE
PULL_UPDN_SEL	7:6	Buffer Pull-Up/Pull-Down Configuration	0b00: None 0b01: Pull-up 0b10: Pull-down 0b11: Reserved
OUT_TYPE	5	Driver type selection	0b0: Open-drain 0b1: Push-pull
GPIO_TX_ID	4:0	GPIO ID for pin while transmitting	0bXXXXX: This GPIO transmit ID

GPIO C (0x2BB)

GPIO 3

BIT	7	6	5	4	3	2	1	0
Field	OVR_RES_CFG	RSVD	–	GPIO_RX_ID[4:0]				
Reset	0b0	0b1	–	0b00011				
Access Type	Write, Read		–	Write, Read				

BITFIELD	BITS	DESCRIPTION	DECODE
OVR_RES_CFG	7	Override non-GPIO port function IO setting. When set, RES_CFG, PULL_UPDN_SEL, OUT_TYPE, and GPIO_OUT_DIS are effective when pin is configured as non-GPIO. When cleared, non-GPIO pin function determines IO type.	0b0: Non-GPIO function determines IO type when alternate function is selected 0b1: RES_CFG, PULL_UPDN_SEL, OUT_TYPE, and GPIO_OUT_DIS determine IO type for non-GPIO configuration
GPIO_RX_ID	4:0	GPIO ID for pin while receiving	0bXXXXX: This GPIO receive ID

GPIO_A (0x2BC)

GPIO 4

BIT	7	6	5	4	3	2	1	0
Field	RES_CFG	RSVD	TX_COMP_EN	GPIO_OUT	GPIO_IN	GPIO_RX_EN	GPIO_TX_EN	GPIO_OUT_DIS
Reset	0b1	0b0	0b0	0b0	0b0	0b0	0b0	0b1
Access Type	Write, Read		Write, Read	Write, Read	Read Only	Write, Read	Write, Read	Write, Read

BITFIELD	BITS	DESCRIPTION	DECODE
RES_CFG	7	Pull-Up/Pull-Down Resistor Strength	0b0: 40kΩ 0b1: 1MΩ
TX_COMP_EN	5	Enables jitter minimization compensation	0b0: Jitter compensation disabled 0b1: Jitter compensation enabled
GPIO_OUT	4	GPIO pin output drive value when GPIO_RX_EN = 0. This can be used to drive a value out on an MFP.	0b0: This GPIO pin output is driven to 0 0b1: This GPIO pin output is driven to 1
GPIO_IN	3	GPIO pin local MFP input level	0b0: This GPIO pin value is 0 0b1: This GPIO pin value is 1
GPIO_RX_EN	2	GPIO out source control. Set to 1 to receive GPIO value from GMSL link. Set GPIO_OUT_DIS to 0 to output the received value on the local MFP.	0b0: This GPIO source disabled for GMSL2 reception 0b1: This GPIO source enabled for GMSL2 reception
GPIO_TX_EN	1	GPIO Tx source control. Set to 1 to transmit the local MFP input value across the GMSL link.	0b0: This GPIO source disabled for GMSL2 transmission 0b1: This GPIO source enabled for GMSL2 transmission
GPIO_OUT_DIS	0	Disables GPIO output driver	0b0: Output driver enabled 0b1: Output driver disabled

GPIO_B (0x2BD)

GPIO 4

BIT	7	6	5	4	3	2	1	0
Field	PULL_UPDN_SEL[1:0]		OUT_TYPE	GPIO_TX_ID[4:0]				
Reset	0b10		0b1	0b00100				
Access Type	Write, Read		Write, Read	Write, Read				

BITFIELD	BITS	DESCRIPTION	DECODE
PULL_UPDN_SEL	7:6	Buffer Pull-Up/Pull-Down Configuration	0b00: None 0b01: Pull-up 0b10: Pull-down 0b11: Reserved
OUT_TYPE	5	Driver type selection	0b0: Open-drain 0b1: Push-pull
GPIO_TX_ID	4:0	GPIO ID for pin while transmitting	0bXXXXX: This GPIO transmit ID

GPIO_C (0x2BE)

GPIO 4

BIT	7	6	5	4	3	2	1	0
Field	OVR_RES_CFG	RSVD	–	GPIO_RX_ID[4:0]				
Reset	0b0	0b1	–	0b00100				
Access Type	Write, Read		–	Write, Read				

BITFIELD	BITS	DESCRIPTION	DECODE
OVR_RES_CFG	7	<p>Override non-GPIO port function IO setting.</p> <p>When set, RES_CFG, PULL_UPDN_SEL, OUT_TYPE, and GPIO_OUT_DIS are effective when pin is configured as non-GPIO.</p> <p>When cleared, non-GPIO pin function determines IO type.</p>	<p>0b0: Non-GPIO function determines IO type when alternate function is selected</p> <p>0b1: RES_CFG, PULL_UPDN_SEL, OUT_TYPE, and GPIO_OUT_DIS determine IO type for non-GPIO configuration</p>
GPIO_RX_ID	4:0	GPIO ID for pin while receiving	0bXXXXX: This GPIO receive ID

GPIO A (0x2BF)

GPIO 5

BIT	7	6	5	4	3	2	1	0
Field	RES_CFG	RSVD	TX_COMP_EN	GPIO_OUT	GPIO_IN	GPIO_RX_EN	GPIO_TX_EN	GPIO_OUT_DIS
Reset	0b1	0b0	0b0	0b0	0b0	0b1	0b0	0b0
Access Type	Write, Read		Write, Read	Write, Read	Read Only	Write, Read	Write, Read	Write, Read

BITFIELD	BITS	DESCRIPTION	DECODE
RES_CFG	7	Pull-Up/Pull-Down Resistor Strength	0b0: 40kΩ 0b1: 1MΩ
TX_COMP_EN	5	Enables jitter minimization compensation	0b0: Jitter compensation disabled 0b1: Jitter compensation enabled
GPIO_OUT	4	GPIO pin output drive value when GPIO_RX_EN = 0. This can be used to drive a value out on an MFP.	0b0: This GPIO pin output is driven to 0 0b1: This GPIO pin output is driven to 1
GPIO_IN	3	GPIO pin local MFP input level	0b0: This GPIO pin value is 0 0b1: This GPIO pin value is 1
GPIO_RX_EN	2	GPIO out source control. Set to 1 to receive GPIO value from GMSL link. Set GPIO_OUT_DIS to 0 to output the received value on the local MFP.	0b0: This GPIO source disabled for GMSL2 reception 0b1: This GPIO source enabled for GMSL2 reception
GPIO_TX_EN	1	GPIO Tx source control. Set to 1 to transmit the local MFP input value across the GMSL link.	0b0: This GPIO source disabled for GMSL2 transmission 0b1: This GPIO source enabled for GMSL2 transmission
GPIO_OUT_DIS	0	Disables GPIO output driver	0b0: Output driver enabled 0b1: Output driver disabled

GPIO B (0x2C0)

GPIO 5

BIT	7	6	5	4	3	2	1	0
Field	PULL_UPDN_SEL[1:0]		OUT_TYPE	GPIO_TX_ID[4:0]				
Reset	0b10		0b1	0b00101				
Access Type	Write, Read		Write, Read	Write, Read				

BITFIELD	BITS	DESCRIPTION	DECODE
PULL_UPDN_SEL	7:6	Buffer Pull-Up/Pull-Down Configuration	0b00: None 0b01: Pull-up 0b10: Pull-down 0b11: Reserved
OUT_TYPE	5	Driver type selection	0b0: Open-drain 0b1: Push-pull
GPIO_TX_ID	4:0	GPIO ID for pin while transmitting	0bXXXXX: This GPIO transmit ID

GPIO_C (0x2C1)

GPIO 5

BIT	7	6	5	4	3	2	1	0
Field	OVR_RES_CFG	RSVD	–	GPIO_RX_ID[4:0]				
Reset	0b0	0b1	–	0b00101				
Access Type	Write, Read		–	Write, Read				

BITFIELD	BITS	DESCRIPTION	DECODE
OVR_RES_CFG	7	Override non-GPIO port function IO setting. When set, RES_CFG, PULL_UPDN_SEL, OUT_TYPE, and GPIO_OUT_DIS are effective when pin is configured as non-GPIO. When cleared, non-GPIO pin function determines IO type.	0b0: Non-GPIO function determines IO type when alternate function is selected 0b1: RES_CFG, PULL_UPDN_SEL, OUT_TYPE, and GPIO_OUT_DIS determine IO type for non-GPIO configuration
GPIO_RX_ID	4:0	GPIO ID for pin while receiving	0bXXXXX: This GPIO receive ID

GPIO_A (0x2C2)

GPIO 6

BIT	7	6	5	4	3	2	1	0
Field	RES_CFG	RSVD	TX_COMP_EN	GPIO_OUT	GPIO_IN	GPIO_RX_EN	GPIO_TX_EN	GPIO_OUT_DIS
Reset	0b1	0b0	0b0	0b0	0b0	0b0	0b1	0b1
Access Type	Write, Read		Write, Read	Write, Read	Read Only	Write, Read	Write, Read	Write, Read

BITFIELD	BITS	DESCRIPTION	DECODE
RES_CFG	7	Pull-Up/Pull-Down Resistor Strength	0b0: 40kΩ 0b1: 1MΩ
TX_COMP_EN	5	Enables jitter minimization compensation	0b0: Jitter compensation disabled 0b1: Jitter compensation enabled

BITFIELD	BITS	DESCRIPTION	DECODE
GPIO_OUT	4	GPIO pin output drive value when GPIO_RX_EN = 0. This can be used to drive a value out on an MFP.	0b0: This GPIO pin output is driven to 0 0b1: This GPIO pin output is driven to 1
GPIO_IN	3	GPIO pin local MFP input level	0b0: This GPIO pin value is 0 0b1: This GPIO pin value is 1
GPIO_RX_EN	2	GPIO out source control. Set to 1 to receive GPIO value from GMSL link. Set GPIO_OUT_DIS to 0 to output the received value on the local MFP.	0b0: This GPIO source disabled for GMSL2 reception 0b1: This GPIO source enabled for GMSL2 reception
GPIO_TX_EN	1	GPIO Tx source control. Set to 1 to transmit the local MFP input value across the GMSL link.	0b0: This GPIO source disabled for GMSL2 transmission 0b1: This GPIO source enabled for GMSL2 transmission
GPIO_OUT_DIS	0	Disables GPIO output driver	0b0: Output driver enabled 0b1: Output driver disabled

GPIO B (0x2C3)

GPIO 6

BIT	7	6	5	4	3	2	1	0
Field	PULL_UPDN_SEL[1:0]		OUT_TYPE	GPIO_TX_ID[4:0]				
Reset	0b10		0b1	0b00110				
Access Type	Write, Read		Write, Read	Write, Read				

BITFIELD	BITS	DESCRIPTION	DECODE
PULL_UPDN_SEL	7:6	Buffer Pull-Up/Pull-Down Configuration	0b00: None 0b01: Pull-up 0b10: Pull-down 0b11: Reserved
OUT_TYPE	5	Driver type selection	0b0: Open-drain 0b1: Push-pull
GPIO_TX_ID	4:0	GPIO ID for pin while transmitting	0bXXXXX: This GPIO transmit ID

GPIO C (0x2C4)

GPIO 6

BIT	7	6	5	4	3	2	1	0
Field	OVR_RES_CFG	RSVD	–	GPIO_RX_ID[4:0]				
Reset	0b0	0b1	–	0b00110				
Access Type	Write, Read		–	Write, Read				

BITFIELD	BITS	DESCRIPTION	DECODE
OVR_RES_CFG	7	Override non-GPIO port function IO setting. When set, RES_CFG, PULL_UPDN_SEL, OUT_TYPE, and GPIO_OUT_DIS are effective when pin is configured as non-GPIO. When cleared, non-GPIO pin function determines IO type.	0b0: Non-GPIO function determines IO type when alternate function is selected 0b1: RES_CFG, PULL_UPDN_SEL, OUT_TYPE, and GPIO_OUT_DIS determine IO type for non-GPIO configuration
GPIO_RX_ID	4:0	GPIO ID for pin while receiving	0bXXXXX: This GPIO receive ID

GPIO A (0x2C5)

GPIO 7

BIT	7	6	5	4	3	2	1	0
Field	RES_CFG	RSVD	TX_COMP_EN	GPIO_OUT	GPIO_IN	GPIO_RX_EN	GPIO_TX_EN	GPIO_OUT_DIS
Reset	0b1	0b0	0b0	0b0	0b0	0b0	0b0	0b1
Access Type	Write, Read		Write, Read	Write, Read	Read Only	Write, Read	Write, Read	Write, Read

BITFIELD	BITS	DESCRIPTION	DECODE
RES_CFG	7	Pull-Up/Pull-Down Resistor Strength	0b0: 40kΩ 0b1: 1MΩ
TX_COMP_EN	5	Enables jitter minimization compensation	0b0: Jitter compensation disabled 0b1: Jitter compensation enabled
GPIO_OUT	4	GPIO pin output drive value when GPIO_RX_EN = 0. This can be used to drive a value out on an MFP.	0b0: This GPIO pin output is driven to 0 0b1: This GPIO pin output is driven to 1
GPIO_IN	3	GPIO pin local MFP input level	0b0: This GPIO pin value is 0 0b1: This GPIO pin value is 1
GPIO_RX_EN	2	GPIO out source control. Set to 1 to receive GPIO value from GMSL link. Set GPIO_OUT_DIS to 0 to output the received value on the local MFP.	0b0: This GPIO source disabled for GMSL2 reception 0b1: This GPIO source enabled for GMSL2 reception
GPIO_TX_EN	1	GPIO Tx source control. Set to 1 to transmit the local MFP input value across the GMSL link.	0b0: This GPIO source disabled for GMSL2 transmission 0b1: This GPIO source enabled for GMSL2 transmission
GPIO_OUT_DIS	0	Disables GPIO output driver	0b0: Output driver enabled 0b1: Output driver disabled

GPIO B (0x2C6)

GPIO 7

BIT	7	6	5	4	3	2	1	0
Field	PULL_UPDN_SEL[1:0]		OUT_TYPE	GPIO_TX_ID[4:0]				
Reset	0b10		0b1	0b00111				
Access Type	Write, Read		Write, Read	Write, Read				

BITFIELD	BITS	DESCRIPTION	DECODE
PULL_UPDN_SEL	7:6	Buffer Pull-Up/Pull-Down Configuration	0b00: None 0b01: Pull-up 0b10: Pull-down 0b11: Reserved
OUT_TYPE	5	Driver type selection	0b0: Open-drain 0b1: Push-pull
GPIO_TX_ID	4:0	GPIO ID for pin while transmitting	0bXXXXX: This GPIO transmit ID

GPIO C (0x2C7)

GPIO 7

BIT	7	6	5	4	3	2	1	0
Field	OVR_RES_CFG	RSVD	–	GPIO_RX_ID[4:0]				
Reset	0b0	0b1	–	0b00111				
Access Type	Write, Read		–	Write, Read				

BITFIELD	BITS	DESCRIPTION	DECODE
OVR_RES_CFG	7	Override non-GPIO port function IO setting. When set, RES_CFG, PULL_UPDN_SEL, OUT_TYPE, and GPIO_OUT_DIS are effective when pin is configured as non-GPIO. When cleared, non-GPIO pin function determines IO type.	0b0: Non-GPIO function determines IO type when alternate function is selected 0b1: RES_CFG, PULL_UPDN_SEL, OUT_TYPE, and GPIO_OUT_DIS determine IO type for non-GPIO configuration
GPIO_RX_ID	4:0	GPIO ID for pin while receiving	0bXXXXX: This GPIO receive ID

GPIO A (0x2C8)

GPIO 8

BIT	7	6	5	4	3	2	1	0
Field	RES_CFG	RSVD	TX_COMP_EN	GPIO_OUT	GPIO_IN	GPIO_RX_EN	GPIO_TX_EN	GPIO_OUT_DIS
Reset	0b1	0b0	0b0	0b0	0b0	0b0	0b0	0b1
Access Type	Write, Read		Write, Read	Write, Read	Read Only	Write, Read	Write, Read	Write, Read

BITFIELD	BITS	DESCRIPTION	DECODE
RES_CFG	7	Pull-Up/Pull-Down Resistor Strength	0b0: 40kΩ 0b1: 1MΩ
TX_COMP_EN	5	Enables jitter minimization compensation	0b0: Jitter compensation disabled 0b1: Jitter compensation enabled
GPIO_OUT	4	GPIO pin output drive value when GPIO_RX_EN = 0. This can be used to drive a value out on an MFP.	0b0: This GPIO pin output is driven to 0 0b1: This GPIO pin output is driven to 1
GPIO_IN	3	GPIO pin local MFP input level	0b0: This GPIO pin value is 0 0b1: This GPIO pin value is 1

BITFIELD	BITS	DESCRIPTION	DECODE
GPIO_RX_EN	2	GPIO out source control. Set to 1 to receive GPIO value from GMSL link. Set GPIO_OUT_DIS to 0 to output the received value on the local MFP.	0b0: This GPIO source disabled for GMSL2 reception 0b1: This GPIO source enabled for GMSL2 reception
GPIO_TX_EN	1	GPIO Tx source control. Set to 1 to transmit the local MFP input value across the GMSL link.	0b0: This GPIO source disabled for GMSL2 transmission 0b1: This GPIO source enabled for GMSL2 transmission
GPIO_OUT_DIS	0	Disables GPIO output driver	0b0: Output driver enabled 0b1: Output driver disabled

GPIO B (0x2C9)

GPIO 8

BIT	7	6	5	4	3	2	1	0
Field	PULL_UPDN_SEL[1:0]		OUT_TYPE	GPIO_TX_ID[4:0]				
Reset	0b10		0b1	0b01000				
Access Type	Write, Read		Write, Read	Write, Read				

BITFIELD	BITS	DESCRIPTION	DECODE
PULL_UPDN_SEL	7:6	Buffer Pull-Up/Pull-Down Configuration	0b00: None 0b01: Pull-up 0b10: Pull-down 0b11: Reserved
OUT_TYPE	5	Driver type selection	0b0: Open-drain 0b1: Push-pull
GPIO_TX_ID	4:0	GPIO ID for pin while transmitting	0bXXXXX: This GPIO transmit ID

GPIO C (0x2CA)

GPIO 8

BIT	7	6	5	4	3	2	1	0
Field	OVR_RES_CFG	RSVD	–	GPIO_RX_ID[4:0]				
Reset	0b0	0b1	–	0b01000				
Access Type	Write, Read		–	Write, Read				

BITFIELD	BITS	DESCRIPTION	DECODE
OVR_RES_CFG	7	Override non-GPIO port function IO setting. When set, RES_CFG, PULL_UPDN_SEL, OUT_TYPE, and GPIO_OUT_DIS are effective when pin is configured as non-GPIO. When cleared, non-GPIO pin function determines IO type.	0b0: Non-GPIO function determines IO type when alternate function is selected 0b1: RES_CFG, PULL_UPDN_SEL, OUT_TYPE, and GPIO_OUT_DIS determine IO type for non-GPIO configuration
GPIO_RX_ID	4:0	GPIO ID for pin while receiving	0bXXXXX: This GPIO receive ID

GPIO_A (0x2CB)

GPIO 9

BIT	7	6	5	4	3	2	1	0
Field	RES_CFG	RSVD	TX_COMP_EN	GPIO_OUT	GPIO_IN	GPIO_RX_EN	GPIO_TX_EN	GPIO_OUT_DIS
Reset	0b1	0b0	0b0	0b0	0b0	0b0	0b0	0b1
Access Type	Write, Read		Write, Read	Write, Read	Read Only	Write, Read	Write, Read	Write, Read

BITFIELD	BITS	DESCRIPTION	DECODE
RES_CFG	7	Pull-Up/Pull-Down Resistor Strength	0b0: 40kΩ 0b1: 1MΩ
TX_COMP_EN	5	Enables jitter minimization compensation	0b0: Jitter compensation disabled 0b1: Jitter compensation enabled
GPIO_OUT	4	GPIO pin output drive value when GPIO_RX_EN = 0. This can be used to drive a value out on an MFP.	0b0: This GPIO pin output is driven to 0 0b1: This GPIO pin output is driven to 1
GPIO_IN	3	GPIO pin local MFP input level	0b0: This GPIO pin value is 0 0b1: This GPIO pin value is 1
GPIO_RX_EN	2	GPIO out source control. Set to 1 to receive GPIO value from GMSL link. Set GPIO_OUT_DIS to 0 to output the received value on the local MFP.	0b0: This GPIO source disabled for GMSL2 reception 0b1: This GPIO source enabled for GMSL2 reception
GPIO_TX_EN	1	GPIO Tx source control. Set to 1 to transmit the local MFP input value across the GMSL link.	0b0: This GPIO source disabled for GMSL2 transmission 0b1: This GPIO source enabled for GMSL2 transmission
GPIO_OUT_DIS	0	Disables GPIO output driver	0b0: Output driver enabled 0b1: Output driver disabled

GPIO_B (0x2CC)

GPIO 9

BIT	7	6	5	4	3	2	1	0
Field	PULL_UPDN_SEL[1:0]		OUT_TYPE	GPIO_TX_ID[4:0]				
Reset	0b10		0b1	0b01001				
Access Type	Write, Read		Write, Read	Write, Read				

BITFIELD	BITS	DESCRIPTION	DECODE
PULL_UPDN_SEL	7:6	Buffer Pull-Up/Pull-Down Configuration	0b00: None 0b01: Pull-up 0b10: Pull-down 0b11: Reserved
OUT_TYPE	5	Driver type selection	0b0: Open-drain 0b1: Push-pull
GPIO_TX_ID	4:0	GPIO ID for pin while transmitting	0bXXXXX: This GPIO transmit ID

GPIO_C (0x2CD)

GPIO 9

BIT	7	6	5	4	3	2	1	0
Field	OVR_RES_CFG	RSVD	–	GPIO_RX_ID[4:0]				
Reset	0b0	0b1	–	0b01001				
Access Type	Write, Read		–	Write, Read				

BITFIELD	BITS	DESCRIPTION	DECODE
OVR_RES_CFG	7	Override non-GPIO port function IO setting. When set, RES_CFG, PULL_UPDN_SEL, OUT_TYPE, and GPIO_OUT_DIS are effective when pin is configured as non-GPIO. When cleared, non-GPIO pin function determines IO type.	0b0: Non-GPIO function determines IO type when alternate function is selected 0b1: RES_CFG, PULL_UPDN_SEL, OUT_TYPE, and GPIO_OUT_DIS determine IO type for non-GPIO configuration
GPIO_RX_ID	4:0	GPIO ID for pin while receiving	0bXXXXX: This GPIO receive ID

GPIO A (0x2CE)

GPIO 10

BIT	7	6	5	4	3	2	1	0
Field	RES_CFG	RSVD	TX_COMP_EN	GPIO_OUT	GPIO_IN	GPIO_RX_EN	GPIO_TX_EN	GPIO_OUT_DIS
Reset	0b1	0b0	0b0	0b0	0b0	0b0	0b0	0b1
Access Type	Write, Read		Write, Read	Write, Read	Read Only	Write, Read	Write, Read	Write, Read

BITFIELD	BITS	DESCRIPTION	DECODE
RES_CFG	7	Pull-Up/Pull-Down Resistor Strength	0b0: 40kΩ 0b1: 1MΩ
TX_COMP_EN	5	Enables jitter minimization compensation	0b0: Jitter compensation disabled 0b1: Jitter compensation enabled
GPIO_OUT	4	GPIO pin output drive value when GPIO_RX_EN = 0. This can be used to drive a value out on an MFP.	0b0: This GPIO pin output is driven to 0 0b1: This GPIO pin output is driven to 1
GPIO_IN	3	GPIO pin local MFP input level	0b0: This GPIO pin value is 0 0b1: This GPIO pin value is 1
GPIO_RX_EN	2	GPIO out source control. Set to 1 to receive GPIO value from GMSL link. Set GPIO_OUT_DIS to 0 to output the received value on the local MFP.	0b0: This GPIO source disabled for GMSL2 reception 0b1: This GPIO source enabled for GMSL2 reception
GPIO_TX_EN	1	GPIO Tx source control. Set to 1 to transmit the local MFP input value across the GMSL link.	0b0: This GPIO source disabled for GMSL2 transmission 0b1: This GPIO source enabled for GMSL2 transmission
GPIO_OUT_DIS	0	Disables GPIO output driver	0b0: Output driver enabled 0b1: Output driver disabled

GPIO B (0x2CF)

GPIO 10

BIT	7	6	5	4	3	2	1	0
Field	PULL_UPDN_SEL[1:0]		OUT_TYPE	GPIO_TX_ID[4:0]				
Reset	0b10		0b1	0b01010				
Access Type	Write, Read		Write, Read	Write, Read				

BITFIELD	BITS	DESCRIPTION	DECODE
PULL_UPDN_SEL	7:6	Buffer Pull-Up/Pull-Down Configuration	0b00: None 0b01: Pull-up 0b10: Pull-down 0b11: Reserved
OUT_TYPE	5	Driver type selection	0b0: Open-drain 0b1: Push-pull
GPIO_TX_ID	4:0	GPIO ID for pin while transmitting	0bXXXXX: This GPIO transmit ID

GPIO_C (0x2D0)

GPIO 10

BIT	7	6	5	4	3	2	1	0
Field	OVR_RES_CFG	RSVD	–	GPIO_RX_ID[4:0]				
Reset	0b0	0b1	–	0b01010				
Access Type	Write, Read		–	Write, Read				

BITFIELD	BITS	DESCRIPTION	DECODE
OVR_RES_CFG	7	Override non-GPIO port function IO setting. When set, RES_CFG, PULL_UPDN_SEL, OUT_TYPE, and GPIO_OUT_DIS are effective when pin is configured as non-GPIO. When cleared, non-GPIO pin function determines IO type.	0b0: Non-GPIO function determines IO type when alternate function is selected 0b1: RES_CFG, PULL_UPDN_SEL, OUT_TYPE, and GPIO_OUT_DIS determine IO type for non-GPIO configuration
GPIO_RX_ID	4:0	GPIO ID for pin while receiving	0bXXXXX: This GPIO receive ID

GPIO_A (0x2D1)

GPIO 11

BIT	7	6	5	4	3	2	1	0
Field	RES_CFG	RSVD	TX_COMP_EN	GPIO_OUT	GPIO_IN	GPIO_RX_EN	GPIO_TX_EN	GPIO_OUT_DIS
Reset	0b1	0b0	0b0	0b0	0b0	0b0	0b0	0b1
Access Type	Write, Read		Write, Read	Write, Read	Read Only	Write, Read	Write, Read	Write, Read

BITFIELD	BITS	DESCRIPTION	DECODE
RES_CFG	7	Pull-Up/Pull-Down Resistor Strength	0b0: 40kΩ 0b1: 1MΩ
TX_COMP_EN	5	Enables jitter minimization compensation	0b0: Jitter compensation disabled 0b1: Jitter compensation enabled

BITFIELD	BITS	DESCRIPTION	DECODE
GPIO_OUT	4	GPIO pin output drive value when GPIO_RX_EN = 0. This can be used to drive a value out on an MFP.	0b0: This GPIO pin output is driven to 0 0b1: This GPIO pin output is driven to 1
GPIO_IN	3	GPIO pin local MFP input level	0b0: This GPIO pin value is 0 0b1: This GPIO pin value is 1
GPIO_RX_EN	2	GPIO out source control. Set to 1 to receive GPIO value from GMSL link. Set GPIO_OUT_DIS to 0 to output the received value on the local MFP.	0b0: This GPIO source disabled for GMSL2 reception 0b1: This GPIO source enabled for GMSL2 reception
GPIO_TX_EN	1	GPIO Tx source control. Set to 1 to transmit the local MFP input value across the GMSL link.	0b0: This GPIO source disabled for GMSL2 transmission 0b1: This GPIO source enabled for GMSL2 transmission
GPIO_OUT_DIS	0	Disables GPIO output driver	0b0: Output driver enabled 0b1: Output driver disabled

GPIO B (0x2D2)

GPIO 11

BIT	7	6	5	4	3	2	1	0
Field	PULL_UPDN_SEL[1:0]		OUT_TYPE	GPIO_TX_ID[4:0]				
Reset	0b10		0b1	0b01011				
Access Type	Write, Read		Write, Read	Write, Read				

BITFIELD	BITS	DESCRIPTION	DECODE
PULL_UPDN_SEL	7:6	Buffer Pull-Up/Pull-Down Configuration	0b00: None 0b01: Pull-up 0b10: Pull-down 0b11: Reserved
OUT_TYPE	5	Driver type selection	0b0: Open-drain 0b1: Open-drain
GPIO_TX_ID	4:0	GPIO ID for pin while transmitting	0bXXXXX: This GPIO transmit ID

GPIO C (0x2D3)

GPIO 11

BIT	7	6	5	4	3	2	1	0
Field	OVR_RES_CFG	RSVD	–	GPIO_RX_ID[4:0]				
Reset	0b0	0b1	–	0b01011				
Access Type	Write, Read		–	Write, Read				

BITFIELD	BITS	DESCRIPTION	DECODE
OVR_RES_CFG	7	Override non-GPIO port function IO setting. When set, RES_CFG, PULL_UPDN_SEL, OUT_TYPE, and GPIO_OUT_DIS are effective when pin is configured as non-GPIO. When cleared, non-GPIO pin function determines IO type.	0b0: Non-GPIO function determines IO type when alternate function is selected 0b1: RES_CFG, PULL_UPDN_SEL, OUT_TYPE, and GPIO_OUT_DIS determine IO type for non-GPIO configuration
GPIO_RX_ID	4:0	GPIO ID for pin while receiving	0bXXXXX: This GPIO receive ID

GPIO A (0x2D4)

GPIO 12

BIT	7	6	5	4	3	2	1	0
Field	RES_CFG	RSVD	TX_COMP_EN	GPIO_OUT	GPIO_IN	GPIO_RX_EN	GPIO_TX_EN	GPIO_OUT_DIS
Reset	0b1	0b0	0b0	0b0	0b0	0b0	0b0	0b1
Access Type	Write, Read		Write, Read	Write, Read	Read Only	Write, Read	Write, Read	Write, Read

BITFIELD	BITS	DESCRIPTION	DECODE
RES_CFG	7	Pull-Up/Pull-Down Resistor Strength	0b0: 40kΩ 0b1: 1MΩ
TX_COMP_EN	5	Enables jitter minimization compensation	0b0: Jitter compensation disabled 0b1: Jitter compensation enabled
GPIO_OUT	4	GPIO pin output drive value when GPIO_RX_EN = 0. This can be used to drive a value out on an MFP.	0b0: This GPIO pin output is driven to 0 0b1: This GPIO pin output is driven to 1
GPIO_IN	3	GPIO pin local MFP input level	0b0: This GPIO pin value is 0 0b1: This GPIO pin value is 1
GPIO_RX_EN	2	GPIO out source control. Set to 1 to receive GPIO value from GMSL link. Set GPIO_OUT_DIS to 0 to output the received value on the local MFP.	0b0: This GPIO source disabled for GMSL2 reception 0b1: This GPIO source enabled for GMSL2 reception
GPIO_TX_EN	1	GPIO Tx source control. Set to 1 to transmit the local MFP input value across the GMSL link.	0b0: This GPIO source disabled for GMSL2 transmission 0b1: This GPIO source enabled for GMSL2 transmission
GPIO_OUT_DIS	0	Disables GPIO output driver	0b0: Output driver enabled 0b1: Output driver disabled

GPIO B (0x2D5)

GPIO 12

BIT	7	6	5	4	3	2	1	0
Field	PULL_UPDN_SEL[1:0]		OUT_TYPE	GPIO_TX_ID[4:0]				
Reset	0b10		0b1	0b01100				
Access Type	Write, Read		Write, Read	Write, Read				

BITFIELD	BITS	DESCRIPTION	DECODE
PULL_UPDN_SEL	7:6	Buffer Pull-Up/Pull-Down Configuration	0b00: None 0b01: Pull-up 0b10: Pull-down 0b11: Reserved
OUT_TYPE	5	Driver type selection	0b0: Open-drain 0b1: Open-drain
GPIO_TX_ID	4:0	GPIO ID for pin while transmitting	0bXXXXX: This GPIO transmit ID

GPIO C (0x2D6)

GPIO 12

BIT	7	6	5	4	3	2	1	0
Field	OVR_RES_CFG	RSVD	–	GPIO_RX_ID[4:0]				
Reset	0b0	0b1	–	0b01100				
Access Type	Write, Read		–	Write, Read				

BITFIELD	BITS	DESCRIPTION	DECODE
OVR_RES_CFG	7	Override non-GPIO port function IO setting. When set, RES_CFG, PULL_UPDN_SEL, OUT_TYPE, and GPIO_OUT_DIS are effective when pin is configured as non-GPIO. When cleared, non-GPIO pin function determines IO type.	0b0: Non-GPIO function determines IO type when alternate function is selected 0b1: RES_CFG, PULL_UPDN_SEL, OUT_TYPE, and GPIO_OUT_DIS determine IO type for non-GPIO configuration
GPIO_RX_ID	4:0	GPIO ID for pin while receiving	0bXXXXX: This GPIO receive ID

CMU2 (0x302)

BIT	7	6	5	4	3	2	1	0
Field	RSVD	PFDDIV_RSHORT[2:0]			RSVD	RSVD[1:0]		RSVD
Reset	0b0	0b000			0b0	0b00		0b0
Access Type		Write, Read						

BITFIELD	BITS	DESCRIPTION	DECODE
PFDDIV_RSHORT	6:4	PFDDIV regulator voltage control. Controls the supply voltage to the 6GHz clock generation PLL phase detector and dividers.	0: VREG_PFDDIV = 1.0V 1: VREG_PFDDIV = 1.1V 2: VREG_PFDDIV = 0.875V 3: VREG_PFDDIV = 0.94V 4: VREG_PFDDIV = 1.0V 5: VREG_PFDDIV = 1.1V 6: VREG_PFDDIV = 0.875V 7: VREG_PFDDIV = 0.94V

BACKTOP1 (0x308)

BIT	7	6	5	4	3	2	1	0
Field	CSIPLLU_LOCK	CSIPLLZ_LOCK	CSIPLLY_LOCK	CSIPLLX_LOCK	LINE_SPL2	–	RSVD	BACKTOP_EN
Reset	0b0	0b0	0b0	0b0	0b0	–	0b0	0b1
Access Type	Read Only	Read Only	Read Only	Read Only	Write, Read	–		Write, Read

BITFIELD	BITS	DESCRIPTION	DECODE
CSIPLLU_LOCK	7	CSI MIPI TX PLL 3 locked (PLL for MIPI Port F in 4x2 mode)	0b0: CSI2 PLL 3 not locked 0b1: CSI2 PLL 3 locked
CSIPLLZ_LOCK	6	CSI MIPI TX PLL 2 locked (PLL for MIPI Port B in 2x4 mode, Port E in 4x2 mode)	0b0: CSI2 PLL 2 not locked 0b1: CSI2 PLL 2 locked
CSIPLLY_LOCK	5	CSI MIPI TX PLL 1 locked (PLL for MIPI Port A in 2x4 mode, Port D in 4x2 mode)	0b0: CSI2 PLL 1 not locked 0b1: CSI2 PLL 1 locked
CSIPLLX_LOCK	4	CSI MIPI TX PLL 0 locked (PLL for MIPI Port C in 4x2 mode)	0b0: CSI2 PLL 0 not locked 0b1: CSI2 PLL 0 locked
LINE_SPL2	3	Line based distribution to line memories for Video Pipeline Z. When set, even-numbered video lines are stored in one-line buffer memory array, odd lines are stored in another.	0b0: Disable line-based distribution to line memories for Video Pipeline Z 0b1: Enable line-based distribution to line memories for Video Pipeline Z
BACKTOP_EN	0	Backtop (line-buffer memory) write logic enable. Setting to 0 stops data output from the MIPI transmitter.	0b0: Disable writes to BACKTOP (line buffer) memories 0b1: Enable writes to BACKTOP (line buffer) memories

BACKTOP4 (0x30B)

BIT	7	6	5	4	3	2	1	0
Field	VS_VC2_L[7:0]							
Reset	0x00							
Access Type	Write, Read							

BITFIELD	BITS	DESCRIPTION	DECODE
VS_VC2_L	7:0	For each video frame, override whether Frame Start-End short packets are sent out for each VC. Pipe Y/MIPI output A. When register is set to 0, there is no override. When not set to 0, each of the 16 bits enables Frame Start-End short packets for virtual channels 0-15. For example bit 0 set to 1 enables packets for VC0, bit 1 enables packets for VC1, etc.	0bXXXXXXXX1: Override to enable packets for VC0 0bXXXXXXXX1X: Override to enable packets for VC1 0bXXXXXX1XX: Override to enable packets for VC2 etc...

BACKTOP5 (0x30C)

BIT	7	6	5	4	3	2	1	0
Field	VS_VC2_H[7:0]							
Reset	0x00							
Access Type	Write, Read							

BITFIELD	BITS	DESCRIPTION	DECODE
VS_VC2_H	7:0	<p>For each video frame, override whether Frame Start-End short packets are sent out for each VC. Pipe Y/MIPI output A.</p> <p>When register is set to 0, there is no override. When not set to 0, each of the 16 bits enables Frame Start-End short packets for virtual channels 0-15. For example bit 0 set to 1 enables packets for VC0, bit 1 enables packets for VC1, etc.</p>	<p>0bXXXXXXXX1: Override to enable packets for VC8 0bXXXXXXXX1X: Override to enable packets for VC9 0bXXXXXXXX1XX: Override to enable packets for VC10 etc...</p>

BACKTOP6 (0x30D)

BIT	7	6	5	4	3	2	1	0
Field	VS_VC3_L[7:0]							
Reset	0x00							
Access Type	Write, Read							

BITFIELD	BITS	DESCRIPTION	DECODE
VS_VC3_L	7:0	<p>For each video frame, override whether Frame Start-End short packets are sent out for each VC. Pipe Z/MIPI output B.</p> <p>When register is set to 0, there is no override. When not set to 0, each of the 16 bits enables Frame Start-End short packets for virtual channels 0-15. For example bit 0 set to 1 enables packets for VC0, bit 1 enables packets for VC1, etc.</p>	<p>0bXXXXXXXX1: Override to enable packets for VC0 0bXXXXXXXX1X: Override to enable packets for VC1 0bXXXXXXXX1XX: Override to enable packets for VC2 etc...</p>

BACKTOP7 (0x30E)

BIT	7	6	5	4	3	2	1	0
Field	VS_VC3_H[7:0]							
Reset	0x00							
Access Type	Write, Read							

BITFIELD	BITS	DESCRIPTION	DECODE
VS_VC3_H	7:0	For each video frame, override whether Frame Start-End short packets are sent out for each VC. Pipe Z/MIPI output B. When register is set to 0, there is no override. When not set to 0, each of the 16 bits enables Frame Start-End short packets for virtual channels 0-15. For example bit 0 set to 1 enables packets for VC0, bit 1 enables packets for VC1, etc.	0bXXXXXXXX1: Override to enable packets for VC8 0bXXXXXXXX1X: Override to enable packets for VC9 0bXXXXXX1XX: Override to enable packets for VC10 etc...

BACKTOP11 (0x312)

BIT	7	6	5	4	3	2	1	0
Field	–	cmd_overflow3	cmd_overflow2	–	–	LMO_Z	LMO_Y	–
Reset	–	0b0	0b0	–	–	0b0	0b0	–
Access Type	–	Read Only	Read Only	–	–	Read Only	Read Only	–

BITFIELD	BITS	DESCRIPTION	DECODE
cmd_overflow3	6	Pipeline Z line memory command FIFO overflow detected. FIFO is for commands sent to MIPI TX to output frame start/end and lines of pixel data.	0b0: Pipeline Z no line memory command FIFO overflow 0b1: Pipeline Z line memory command FIFO overflow
cmd_overflow2	5	Pipeline Y line memory command FIFO overflow detected. FIFO is for commands sent to MIPI TX to output frame start/end and lines of pixel data.	0b0: Pipeline Y no line memory command FIFO overflow 0b1: Pipeline Y line memory command FIFO overflow
LMO_Z	2	Pipeline Z line memory overflow sticky register	0b0: Pipeline Z no line memory overflow 0b1: Pipeline Z line memory overflow
LMO_Y	1	Pipeline Y line memory overflow sticky register	0b0: Pipeline Y no line memory overflow 0b1: Pipeline Y line memory overflow

BACKTOP12 (0x313)

BIT	7	6	5	4	3	2	1	0
Field	–	–	–	–	–	RSVD	CSI_OUT_EN	RSVD
Reset	–	–	–	–	–	0b0	0b1	0b0
Access Type	–	–	–	–	–		Write, Read	

BITFIELD	BITS	DESCRIPTION	DECODE
CSI_OUT_EN	1	Enable CSI output	0b0: CSI output disabled 0x1: CSI output enabled

BACKTOP13 (0x314)

BIT	7	6	5	4	3	2	1	0
Field	soft_vc_y[3:0]				–	–	–	–
Reset	0x0				–	–	–	–
Access Type	Write, Read				–	–	–	–

BITFIELD	BITS	DESCRIPTION	DECODE
soft_vc_y	7:4	Software-defined virtual channel number for Pipeline Y	0xX: Software-defined virtual channel number for Pipeline Y

BACKTOP14 (0x315)

BIT	7	6	5	4	3	2	1	0
Field	–	–	–	–	soft_vc_z[3:0]			
Reset	–	–	–	–	0x0			
Access Type	–	–	–	–	Write, Read			

BITFIELD	BITS	DESCRIPTION	DECODE
soft_vc_z	3:0	Software-defined virtual channel number for Pipeline Z	0xX: Software-defined virtual channel number for Pipeline Z

BACKTOP15 (0x316)

BIT	7	6	5	4	3	2	1	0
Field	soft_dt_y_h[1:0]		–	–	–	–	–	–
Reset	0b00		–	–	–	–	–	–
Access Type	Write, Read		–	–	–	–	–	–

BITFIELD	BITS	DESCRIPTION	DECODE
soft_dt_y_h	7:6	High bits of software-defined data type for Pipeline Y	0bXX: High bits of software-defined data type for Pipeline Y

BACKTOP16 (0x317)

BIT	7	6	5	4	3	2	1	0
Field	soft_dt_z_h[3:0]				soft_dt_y_l[3:0]			
Reset	0x0				0x0			
Access Type	Write, Read				Write, Read			

BITFIELD	BITS	DESCRIPTION	DECODE
soft_dt_z_h	7:4	High bits of software-defined data type for Pipeline Z	0xX: High bits of software-defined data type for Pipeline Z
soft_dt_y_l	3:0	Low bits of software-defined data type for Pipeline Y	0bXX: Low bits of software-defined data type for Pipeline Y

[BACKTOP17 \(0x318\)](#)

BIT	7	6	5	4	3	2	1	0
Field	–	–	–	–	–	–	soft_dt_z_l[1:0]	
Reset	–	–	–	–	–	–	0b00	
Access Type	–	–	–	–	–	–	Write, Read	
BITFIELD	BITS		DESCRIPTION			DECODE		
soft_dt_z_l	1:0		Low bits of software-defined data type for Pipeline Z			0bXX: Low bits of software-defined data type for Pipeline Z		

[BACKTOP18 \(0x319\)](#)

BIT	7	6	5	4	3	2	1	0
Field	soft_bpp_z_h[2:0]			soft_bpp_y[4:0]				
Reset	0b000			0b00000				
Access Type	Write, Read			Write, Read				
BITFIELD	BITS		DESCRIPTION			DECODE		
soft_bpp_z_h	7:5		High bits of software-defined bpp for Pipeline Z			0bXX: High bits of software-defined bpp for Pipeline Z		
soft_bpp_y	4:0		Software-defined bpp for Pipeline Y			0x8: Datatypes = x2A, x10-12, x31-37 0xA: Datatypes = x2B 0xC: Datatypes = x2C 0xE: Datatypes = x2D 0x10: Datatypes = x22, x1E, x2E, 0x12: Datatypes = x23 0x14: Datatypes = x1F, x2F 0x18: Datatypes = x24, x30		

[BACKTOP19 \(0x31A\)](#)

BIT	7	6	5	4	3	2	1	0
Field	–	–	–	–	–	–	soft_bpp_z_l[1:0]	
Reset	–	–	–	–	–	–	0b00	
Access Type	–	–	–	–	–	–	Write, Read	
BITFIELD	BITS		DESCRIPTION			DECODE		
soft_bpp_z_l	1:0		Low bits of software-defined bpp for Pipeline Z			0bXX: Low bits of software-defined bpp for Pipeline Z		

[BACKTOP20 \(0x31B\)](#)

BIT	7	6	5	4	3	2	1	0
Field	phy0_csi_tx_dpll_fb_fraction_in_l[7:0]							
Reset	0x00							
Access Type	Write, Read							

BITFIELD	BITS	DESCRIPTION	DECODE
phy0_csi_tx_dpll_fb_fraction_in_l	7:0	Low byte of software-override value for CSI PHY0 frequency fine-tuning. See app note.	0xXX: PHY0 frequency fine-tuning override low byte

BACKTOP21 (0x31C)

BIT	7	6	5	4	3	2	1	0
Field	–	bpp8dblz	bpp8dbly	–	phy0_csi_tx_dpll_fb_fraction_in_h[3:0]			
Reset	–	0b0	0b0	–	0x0			
Access Type	–	Write, Read	Write, Read	–	Write, Read			

BITFIELD	BITS	DESCRIPTION	DECODE
bpp8dblz	6	bpp = 8 processed as 16-bit color enable for Pipeline Z. Used to give all video data flowing through a single pipe the same bpp, to maximize capacity of video pipeline.	0b0: Do not process bpp = 8 as 16-bit color 0b1: Process bpp = 8 as 16-bit color
bpp8dbly	5	bpp = 8 processed as 16-bit color enable for Pipeline Y. Used to give all video data flowing through a single pipe the same bpp, to maximize capacity of video pipeline.	0b0: Do not process bpp = 8 as 16-bit color 0b1: Process bpp = 8 as 16-bit color
phy0_csi_tx_dpll_fb_fraction_in_h	3:0	High nibble of software-override value for PHY0 frequency fine-tuning	0xX: PHY0 frequency fine-tuning override high nibble

BACKTOP22 (0x31D)

BIT	7	6	5	4	3	2	1	0
Field	override_bpp_vc_dty	–	phy0_csi_tx_dpll_fb_fraction_predef_en	phy0_csi_tx_dpll_predef_freq[4:0]				
Reset	0b0	–	0b1	0b01111				
Access Type	Write, Read	–	Write, Read	Write, Read				

BITFIELD	BITS	DESCRIPTION	DECODE
override_bpp_vc_dty	7	Software-override enable for BPP, VC, and DT	0b0: Software-override for BPP, VC, and DT disabled 0x1: Software-override for BPP, VC, and DT enabled
phy0_csi_tx_dpll_fb_fraction_predef_en	5	CSI PHY0 software-override disable for frequency fine-tuning. When set to 1, PLL uses predefined frequency from phy0_csi_tx_dpll_predef_freq bit field.	0b0: Software-override for frequency fine-tuning enabled 0x1: Software-override for frequency fine-tuning disabled

BITFIELD	BITS	DESCRIPTION	DECODE
phy0_csi_tx_dpll_predef_freq	4:0	Determines CSI PHY0 output frequency in multiples of 100Mbps (DPHY) or 100Msps (CPHY) (PLL for MIPI Port C in 4x2 mode). PLLs should be put in reset before changing this register (config_soft_rst_n bit).	0x0: 80Mbps/Msps 0x1: 100Mbps/Msps 0x2: 200Mbps/Msps 0x3: 300Mbps/Msps 0x4: 400Mbps/Msps 0x5: 500Mbps/Msps 0x6: 600Mbps/Msps 0x7: 700Mbps/Msps 0x8: 800Mbps/Msps 0x9: 900Mbps/Msps 0xA: 1000Mbps/Msps 0xB: 1100Mbps/Msps 0xC: 1200Mbps/Msps 0xD: 1300Mbps/Msps 0xE: 1400Mbps/Msps 0xF: 1500Mbps/Msps 0x10: 1600Mbps/Msps 0x11: 1700Mbps/Msps 0x12: 1800Mbps/Msps 0x13: 1900Mbps/Msps 0x14: 2000Mbps/Msps 0x15: 2100Mbps/Msps 0x16: 2200Mbps/Msps 0x17: 2300Mbps/Msps 0x18: 2400Mbps/Msps 0x19: 2500Mbps/Msps Others: 1500Mbps/Msps

BACKTOP23 (0x31E)

BIT	7	6	5	4	3	2	1	0
Field	phy1_csi_tx_dpll_fb_fraction_in_l[7:0]							
Reset	0x00							
Access Type	Write, Read							

BITFIELD	BITS	DESCRIPTION	DECODE
phy1_csi_tx_dpll_fb_fraction_in_l	7:0	Low byte of software-override value for CSI PHY1 frequency fine-tuning. Refer to the app note.	0xXX: PHY1 frequency fine-tuning override low byte

BACKTOP24 (0x31F)

BIT	7	6	5	4	3	2	1	0
Field	–	bpp8dblz_mode	bpp8dbly_mode	–	phy1_csi_tx_dpll_fb_fraction_in_h[3:0]			
Reset	–	0b0	0b0	–	0x0			
Access Type	–	Write, Read	Write, Read	–	Write, Read			

BITFIELD	BITS	DESCRIPTION	DECODE
bpp8dblz_mode	6	Enable 8-bit write alternate map to RAMs for Pipeline Z	0b0: Write alternative map disabled 0x1: Write alternative map enabled

BITFIELD	BITS	DESCRIPTION	DECODE
bpp8dbly_mode	5	Enable 8-bit write alternate map to RAMs for Pipeline Y	0b0: Write alternative map disabled 0x1: Write alternative map enabled
phy1_csi_tx_dpll_fb_fraction_in_h	3:0	High nibble of software-override value for PHY1 frequency fine-tuning	0xX: PHY1 frequency fine-tuning override high nibble

BACKTOP25 (0x320)

BIT	7	6	5	4	3	2	1	0
Field	–	override_bpp_vc_dtz	phy1_csi_tx_dpll_fb_fraction_predef_en	phy1_csi_tx_dpll_predef_freq[4:0]				
Reset	–	0b0	0b1	0b01111				
Access Type	–	Write, Read	Write, Read	Write, Read				

BITFIELD	BITS	DESCRIPTION	DECODE
override_bpp_vc_dtz	6	Software-override enable for BPP, VC, and DT	0b0: Software-override for BPP, VC, and DT disabled 0x1: Software-override for BPP, VC, and DT enabled
phy1_csi_tx_dpll_fb_fraction_predef_en	5	CSI PHY1 software-override disable for frequency fine-tuning. When set to 1, PLL uses predefined frequency from phy1_csi_tx_dpll_predef_freq bit field.	fine-tuning 0b0: Software-override for frequency fine tuning enabled 0x1: Software-override for frequency fine-tuning disabled
phy1_csi_tx_dpll_predef_freq	4:0	Determines CSI PHY1 output frequency in multiples of 100Mbps (DPHY) or 100Msps (CPHY) (PLL for MIPI Port A in 2x4 mode, Port D in 4x2 mode). PLLs should be put in reset before changing this register (config_soft_rst_n bit).	0x0: 80Mbps/Msps 0x1: 100Mbps/Msps 0x2: 200Mbps/Msps 0x3: 300Mbps/Msps 0x4: 400Mbps/Msps 0x5: 500Mbps/Msps 0x6: 600Mbps/Msps 0x7: 700Mbps/Msps 0x8: 800Mbps/Msps 0x9: 900Mbps/Msps 0xA: 1000Mbps/Msps 0xB: 1100Mbps/Msps 0xC: 1200Mbps/Msps 0xD: 1300Mbps/Msps 0xE: 1400Mbps/Msps 0xF: 1500Mbps/Msps 0x10: 1600Mbps/Msps 0x11: 1700Mbps/Msps 0x12: 1800Mbps/Msps 0x13: 1900Mbps/Msps 0x14: 2000Mbps/Msps 0x15: 2100Mbps/Msps 0x16: 2200Mbps/Msps 0x17: 2300Mbps/Msps 0x18: 2400Mbps/Msps 0x19: 2500Mbps/Msps Others: 1500Mbps/Msps

BACKTOP26 (0x321)

BIT	7	6	5	4	3	2	1	0
Field	phy2_csi_tx_dppll_fb_fraction_in_l[7:0]							
Reset	0x00							
Access Type	Write, Read							

BITFIELD	BITS	DESCRIPTION	DECODE
phy2_csi_tx_dppll_fb_fraction_in_l	7:0	Low byte of software-override value for CSI PHY2 frequency fine-tuning. Refer to the app note.	0xXX: PHY2 frequency fine-tuning override low byte

BACKTOP27 (0x322)

BIT	7	6	5	4	3	2	1	0
Field	yuv_8_10_mux_mode4	yuv_8_10_mux_mode3	yuv_8_10_mux_mode2	yuv_8_10_mux_mode1	phy2_csi_tx_dppll_fb_fraction_in_h[3:0]			
Reset	0b0	0b0	0b0	0b0	0x0			
Access Type	Write, Read	Write, Read	Write, Read	Write, Read	Write, Read			

BITFIELD	BITS	DESCRIPTION	DECODE
yuv_8_10_mux_mode4	7	Enable YUV422 8-/10-bit muxed mode support	0b0: Disabled 0b1: Enabled
yuv_8_10_mux_mode3	6	Enable YUV422 8-/10-bit muxed mode support	0b0: Disabled 0b1: Enabled
yuv_8_10_mux_mode2	5	Enable YUV422 8-/10-bit muxed mode support	0b0: Disabled 0b1: Enabled
yuv_8_10_mux_mode1	4	Enable YUV422 8-/10-bit muxed mode support	0b0: Disabled 0b1: Enabled
phy2_csi_tx_dppll_fb_fraction_in_h	3:0	High nibble of software-override value for PHY2 frequency fine tuning	0xX: PHY2 frequency fine-tuning override high nibble

BACKTOP28 (0x323)

BIT	7	6	5	4	3	2	1	0
Field	–	–	phy2_csi_tx_dppll_fb_fraction_predef_en	phy2_csi_tx_dppll_predef_freq[4:0]				
Reset	–	–	0b1	0b01111				
Access Type	–	–	Write, Read	Write, Read				

BITFIELD	BITS	DESCRIPTION	DECODE
phy2_csi_tx_dppll_fb_fraction_predef_en	5	CSI PHY2 software-override disable for frequency fine-tuning. When set to 1, PLL uses predefined frequency from phy2_csi_tx_dppll_predef_freq bit field.	0b0: Software-override for frequency fine-tuning enabled 0x1: Software-override for frequency fine-tuning disabled

BITFIELD	BITS	DESCRIPTION	DECODE
phy2_csi_tx_dpll_predef_freq	4:0	Determines CSI PHY2 output frequency in multiples of 100Mbps (DPHY) or 100Msps (CPHY) (PLL for MIPI Port B in 2x4 mode, Port E in 4x2 mode). PLLs should be put in reset before changing this register (config_soft_rst_n bit).	0x0: 80Mbps/Msps 0x1: 100Mbps/Msps 0x2: 200Mbps/Msps 0x3: 300Mbps/Msps 0x4: 400Mbps/Msps 0x5: 500Mbps/Msps 0x6: 600Mbps/Msps 0x7: 700Mbps/Msps 0x8: 800Mbps/Msps 0x9: 900Mbps/Msps 0xA: 1000Mbps/Msps 0xB: 1100Mbps/Msps 0xC: 1200Mbps/Msps 0xD: 1300Mbps/Msps 0xE: 1400Mbps/Msps 0xF: 1500Mbps/Msps 0x10: 1600Mbps/Msps 0x11: 1700Mbps/Msps 0x12: 1800Mbps/Msps 0x13: 1900Mbps/Msps 0x14: 2000Mbps/Msps 0x15: 2100Mbps/Msps 0x16: 2200Mbps/Msps 0x17: 2300Mbps/Msps 0x18: 2400Mbps/Msps 0x19: 2500Mbps/Msps Others: 1500Mbps/Msps

BACKTOP29 (0x324)

BIT	7	6	5	4	3	2	1	0
Field	phy3_csi_tx_dpll_fb_fraction_in_l[7:0]							
Reset	0x00							
Access Type	Write, Read							

BITFIELD	BITS	DESCRIPTION	DECODE
phy3_csi_tx_dpll_fb_fraction_in_l	7:0	Low byte of software-override value for CSI PHY3 frequency fine-tuning. Refer to the app note.	0xXX: PHY3 frequency fine-tuning override low byte

BACKTOP30 (0x325)

BIT	7	6	5	4	3	2	1	0
Field	BACKTOP_W_FRAME	–	–	–	phy3_csi_tx_dpll_fb_fraction_in_h[3:0]			
Reset	0b0	–	–	–	0x0			
Access Type	Write, Read	–	–	–	Write, Read			

BITFIELD	BITS	DESCRIPTION	DECODE
BACKTOP_W_FRAME	7	When this register is set, BACKTOP (line buffer memory) waits for a new frame before generating MIPI packet requests to the MIPI TX.	0b0: Does not wait for a new frame start 0b1: Waits for a frame start

BITFIELD	BITS	DESCRIPTION	DECODE
phy3_csi_tx_dpll_fb_fraction_in_h	3:0	High nibble of software-override value for PHY3 frequency fine-tuning	0xX: PHY3 frequency fine-tuning override high nibble

BACKTOP31 (0x326)

BIT	7	6	5	4	3	2	1	0
Field	–	–	phy3_csi_tx_dpll_fb_fraction_predef_en	phy3_csi_tx_dpll_predef_freq[4:0]				
Reset	–	–	0b1	0b01111				
Access Type	–	–	Write, Read	Write, Read				

BITFIELD	BITS	DESCRIPTION	DECODE
phy3_csi_tx_dpll_fb_fraction_predef_en	5	CSI PHY3 software-override disable for frequency fine-tuning. When set to 1, PLL uses predefined frequency from phy3_csi_tx_dpll_predef_freq bit field.	0b0: Software-override for frequency fine-tuning enabled 0x1: Software-override for frequency fine-tuning disabled
phy3_csi_tx_dpll_predef_freq	4:0	Determines CSI PHY3 output frequency in multiples of 100Mbps (DPHY) or 100Msps (CPHY) (PLL for MIPI Port F in 4x2 mode). PLLs should be put in reset before changing this register (config_soft_rst_n bit).	0x0: 80Mbps/Msps 0x1: 100Mbps/Msps 0x2: 200Mbps/Msps 0x3: 300Mbps/Msps 0x4: 400Mbps/Msps 0x5: 500Mbps/Msps 0x6: 600Mbps/Msps 0x7: 700Mbps/Msps 0x8: 800Mbps/Msps 0x9: 900Mbps/Msps 0xA: 1000Mbps/Msps 0xB: 1100Mbps/Msps 0xC: 1200Mbps/Msps 0xD: 1300Mbps/Msps 0xE: 1400Mbps/Msps 0xF: 1500Mbps/Msps 0x10: 1600Mbps/Msps 0x11: 1700Mbps/Msps 0x12: 1800Mbps/Msps 0x13: 1900Mbps/Msps 0x14: 2000Mbps/Msps 0x15: 2100Mbps/Msps 0x16: 2200Mbps/Msps 0x17: 2300Mbps/Msps 0x18: 2400Mbps/Msps 0x19: 2500Mbps/Msps Others: 1500Mbps/Msps

[BACKTOP32 \(0x327\)](#)

BIT	7	6	5	4	3	2	1	0
Field	–	bpp10dblz_mode	bpp10dbly_mode	–	–	bpp10dblz	bpp10dbly	–
Reset	–	0b0	0b0	–	–	0b0	0b0	–
Access Type	–	Write, Read	Write, Read	–	–	Write, Read	Write, Read	–

BITFIELD	BITS	DESCRIPTION	DECODE
bpp10dblz_mode	6	Enable 8-bit write alternate map to RAMs for Pipeline Z	0b0: Write alternative map disabled 0x1: Write alternative map enabled
bpp10dbly_mode	5	Enable 8-bit write alternate map to RAMs for Pipeline Y	0b0: Write alternative map disabled 0x1: Write alternative map enabled
bpp10dblz	2	bpp = 8 processed as 16-bit color enable for Pipeline Z. Used to give all video data flowing through a single pipe the same bpp, to maximize capacity of video pipeline.	0b0: Do not process bpp = 8 as 16-bit color 0b1: Process bpp = 8 as 16-bit color
bpp10dbly	1	bpp = 8 processed as 16-bit color enable for Pipeline Y. Used to give all video data flowing through a single pipe the same bpp, to maximize capacity of video pipeline.	0b0: Do not process bpp = 8 as 16-bit color 0b1: Process bpp = 8 as 16-bit color

[BACKTOP33 \(0x328\)](#)

BIT	7	6	5	4	3	2	1	0
Field	–	–	–	–	–	bpp12dblz	bpp12dbly	–
Reset	–	–	–	–	–	0b0	0b0	–
Access Type	–	–	–	–	–	Write, Read	Write, Read	–

BITFIELD	BITS	DESCRIPTION	DECODE
bpp12dblz	2	bpp = 8 processed as 16-bit color enable for Pipeline Z. Used to give all video data flowing through a single pipe the same bpp, to maximize capacity of video pipeline.	0b0: Do not process bpp = 8 as 16-bit color 0b1: Process bpp = 8 as 16-bit color
bpp12dbly	1	bpp = 8 processed as 16-bit color enable for Pipeline Y. Used to give all video data flowing through a single pipe the same bpp, to maximize capacity of video pipeline.	0b0: Do not process bpp = 8 as 16-bit color 0b1: Process bpp = 8 as 16-bit color

[MIPI_PHY0 \(0x330\)](#)

BIT	7	6	5	4	3	2	1	0
Field	force_csi_out_en	RSVD	RSVD	phy_1x4b_2	phy_1x4a_2	phy_2x4	RSVD	phy_4x2
Reset	0b0	0b0	0b0	0b0	0b0	0b1	0b0	0b0
Access Type	Write, Read			Write, Read	Write, Read	Write, Read		Write, Read

BITFIELD	BITS	DESCRIPTION	DECODE
force_csi_out_en	7	Force CSI output clock for use in MIPI loopback test	0b0: CSI output clock not enabled for MIPI loopback test 0b1: CSI output clock enabled for MIPI loopback test
phy_1x4b_22	4	MIPI output configured as 2x2 and 1x4. PLLs should be put in reset before changing this register (config_soft_rst_n bit).	0b0: 1x4 and 2x2 configuration not selected 0b1: MIPI output configured as three ports. Port A is two two-ports, each with two data lanes using PHY0 and PH1. Port C is one four-lane port using PHY2 and PHY3
phy_1x4a_22	3	MIPI output configured as 1x4 and 2x2. PLLs should be put in reset before changing this register (config_soft_rst_n bit).	0b0: 1x4 and 2x2 configuration not selected 0b1: MIPI output configured as three ports. Port A is one port with four data lanes using PHY0 and PH1. Port C is two ports, each with two data lanes using PHY2 and PHY3
phy_2x4	2	MIPI output configured as 2x4. PLLs should be put in reset before changing this register (config_soft_rst_n bit).	0b0: 2x4 not selected 0b1: MIPI output configured as two ports with four data lanes each. Port A uses PHY0 and PHY1, Port B uses PHY2 and PHY3.
phy_4x2	0	MIPI output configured as 4x2. PLLs should be put in reset before changing this register (config_soft_rst_n bit).	0b0: 4x2 configuration not selected 0b1: MIPI output configured as four two-lane MIPI ports

MIPI_PHY1 (0x331)

BIT	7	6	5	4	3	2	1	0
Field	t_hs_przero[1:0]		t_hs_prep[1:0]		RSVD[1:0]		t_clk_przero[1:0]	
Reset	0b00		0b00		0b00		0b00	
Access Type	Write, Read		Write, Read				Write, Read	

BITFIELD	BITS	DESCRIPTION	DECODE
t_hs_przero	7:6	Typical DPHY data lane HS_prep + HS_zero timing	0b00: 146ns + 24UI 0b01: 160ns + 24UI 0b10: 173ns + 24UI 0b11: 200ns + 24UI
t_hs_prep	5:4	Typical DPHY data lane HS_prepare timing	0b00: 46.7ns + 4UI 0b01: 53.4ns + 4UI 0b10: 60.0ns + 4UI 0b11: 66.7ns + 4UI
t_clk_przero	1:0	Typical DPHY clock lane HS_prepare + HS_zero timing	0b00: 306ns 0b01: 600ns 0b10: 900ns 0b11: 1200ns

MIPI_PHY2 (0x332)

BIT	7	6	5	4	3	2	1	0
Field	phy_Stdbby_n[3:0]				t_lpx[1:0]		t_hs_trail[1:0]	
Reset	0xF				0b01		0b00	
Access Type	Write, Read				Write, Read		Write, Read	

BITFIELD	BITS	DESCRIPTION	DECODE
phy_Stdbby_n	7:4	Put MIPI PHY into standby mode if not used to save power. One bit per PHY.	0bXXX0: Put PHY0 in standby mode 0bXX0X: Put PHY1 in standby mode 0bX0XX: Put PHY2 in standby mode 0b0XXX: Put PHY3 in standby mode 0b0000: All PHYs in standby mode ... 0b1111: All PHYs not in standby mode
t_lpx	3:2	Typical DPHY T _{Lpx} timing	0b00: 53.4ns 0b01: 106.7ns 0b10: 160ns 0b11: 213.4ns
t_hs_trail	1:0	Typical DPHY data lane HS_trail timing	0b00: 66.7ns + 8UI 0b01: 80ns + 8UI 0b10: 93.4ns + 8UI 0b11: 106.7ns + 8UI

MIPI_PHY3 (0x333)

BIT	7	6	5	4	3	2	1	0
Field	phy1_lane_map[3:0]				phy0_lane_map[3:0]			
Reset	0x4				0xE			
Access Type	Write, Read				Write, Read			

BITFIELD	BITS	DESCRIPTION	DECODE
phy1_lane_map	7:4	MIPI PHY1 to Port A lane mapping in 2 x 4 configurations Bits[1:0] map PHY1 data lane 0 Bits[3:2] map PHY1 data lane 1	0bXX00: Map PHY1 D0 to Port A D0 0bXX01: Map PHY1 D0 to Port A D1 0bXX10: Map PHY1 D0 to Port A D2 0bXX11: Map PHY1 D0 to Port A D3 0b00XX: Map PHY1 D1 to Port A D0 0b01XX: Map PHY1 D1 to Port A D1 0b10XX: Map PHY1 D1 to Port A D2 0b11XX: Map PHY1 D1 to Port A D3
phy0_lane_map	3:0	MIPI PHY0 to Port A lane mapping in 2 x 4 configurations Bits[1:0] map PHY0 data lane 0 Bits[3:2] map PHY0 data lane 1	0bXX00: Map PHY0 D0 to Port A D0 0bXX01: Map PHY0 D0 to Port A D1 0bXX10: Map PHY0 D0 to Port A D2 0bXX11: Map PHY0 D0 to Port A D3 0b00XX: Map PHY0 D1 to Port A D0 0b01XX: Map PHY0 D1 to Port A D1 0b10XX: Map PHY0 D1 to Port A D2 0b11XX: Map PHY0 D1 to Port A D3

MIPI_PHY4 (0x334)

BIT	7	6	5	4	3	2	1	0
Field	phy3_lane_map[3:0]				phy2_lane_map[3:0]			
Reset	0xE				0x4			
Access Type	Write, Read				Write, Read			

BITFIELD	BITS	DESCRIPTION	DECODE
phy3_lane_map	7:4	<p>MIPI PHY3 to Port B lane mapping in 2 x 4 configurations</p> <p>Bits[1:0] map PHY3 data lane 0 Bits[3:2] map PHY3 data lane 1</p>	<p>0bXX00: Map PHY3 D0 to Port B D0 0bXX01: Map PHY3 D0 to Port B D1 0bXX10: Map PHY3 D0 to Port B D2 0bXX11: Map PHY3 D0 to Port B D3 0b00XX: Map PHY3 D1 to Port B D0 0b01XX: Map PHY3 D1 to Port B D1 0b10XX: Map PHY3 D1 to Port B D2 0b11XX: Map PHY3 D1 to Port B D3</p>
phy2_lane_map	3:0	<p>MIPI PHY2 to Port B lane mapping in 2 x 4 configurations</p> <p>Bits[1:0] map PHY2 data lane 0 Bits[3:2] map PHY2 data lane 1</p>	<p>0bXX00: Map PHY2 D0 to Port B D0 0bXX01: Map PHY2 D0 to Port B D1 0bXX10: Map PHY2 D0 to Port B D2 0bXX11: Map PHY2 D0 to Port B D3 0b00XX: Map PHY2 D1 to Port B D0 0b01XX: Map PHY2 D1 to Port B D1 0b10XX: Map PHY2 D1 to Port B D2 0b11XX: Map PHY2 D1 to Port B D3</p>

MIPI_PHY5 (0x335)

BIT	7	6	5	4	3	2	1	0
Field	t_clk_prep[1:0]		phy1_pol_map[2:0]			phy0_pol_map[2:0]		
Reset	0b00		0b000			0b000		
Access Type	Write, Read		Write, Read			Write, Read		

BITFIELD	BITS	DESCRIPTION	DECODE
t_clk_prep	7:6	Typical DPHY clock lane HS_prepare timing	<p>0b00: 40ns 0b01: 46.7ns 0b10: 53.4ns 0b11: 60ns</p>
phy1_pol_map	5:3	<p>MIPI PHY1 lane polarity.</p> <p>In DPHY mode, this controls the polarity for clock, D1, and D0. In normal polarity, P is positive, N is negative. In inverse polarity, P is negative, N is positive.</p> <p>In CPHY mode, this controls the A and C pin routing in the ABC three-pin trio. In normal polarity, no pins in the ABC trio are swapped. In inverse polarity, the A and C pins are swapped.</p>	<p>0bXX0: Normal polarity for data lane 0 0bXX1: Inverse polarity for data lane 0 0bX0X: Normal polarity for data lane 1 0bX1X: Inverse polarity for data lane 1 0b0XX: Normal polarity for clock lane (DPHY only) 0b1XX: Inverse polarity for clock lane (DPHY only)</p>
phy0_pol_map	2:0	<p>MIPI PHY0 lane polarity.</p> <p>In DPHY mode, this controls the polarity for clock, D1, and D0. In normal polarity, P is positive, N is negative. In inverse polarity, P is negative, N is positive.</p> <p>In CPHY mode, this controls the A and C pin routing in the ABC three-pin trio. In normal polarity, no pins in the ABC trio are swapped. In inverse polarity, the A and C pins are swapped.</p>	<p>0bXX0: Normal polarity for data lane 0 0bXX1: Inverse polarity for data lane 0 0bX0X: Normal polarity for data lane 1 0bX1X: Inverse polarity for data lane 1 0b0XX: Normal polarity for clock lane (DPHY only) 0b1XX: Inverse polarity for clock lane (DPHY only)</p>

MIPI_PHY6 (0x336)

BIT	7	6	5	4	3	2	1	0
Field	phy_cp1	phy_cp0	phy3_pol_map[2:0]			phy2_pol_map[2:0]		
Reset	0b0	0b0	0b000			0b000		
Access Type	Write, Read	Write, Read	Write, Read			Write, Read		

BITFIELD	BITS	DESCRIPTION	DECODE
phy_cp1	7	MIPI PHY port copy enable 1. Used for video replication/duplication to have all video data outputting on one MIPI PHY to also output on another PHY. When enabled, the data from the PHY set in phy_cp1_src is copied to the PHY set in the phy_cp1_dst.	0b0: Do not copy MIPI PHY data 0b1: Copy MIPI data from source PHY to destination PHY
phy_cp0	6	MIPI PHY port copy enable 0. Used for video replication/duplication to have all video data outputting on one MIPI PHY to also output on another PHY. When enabled, the data from the PHY set in phy_cp0_src is copied to the PHY set in the phy_cp0_dst.	0b0: Do not copy MIPI PHY data 0b1: Copy MIPI data from source PHY to destination PHY
phy3_pol_map	5:3	MIPI PHY3 lane polarity. In DPHY mode, this controls the polarity for clock, D1, and D0. In normal polarity, P is positive, N is negative. In inverse polarity, P is negative, N is positive. In CPHY mode, this controls the A and C pin routing in the ABC three-pin trio. In normal polarity, no pins in the ABC trio are swapped. In inverse polarity, the A and C pins are swapped.	0bXX0: Normal polarity for data lane 0 0bXX1: Inverse polarity for data lane 0 0bX0X: Normal polarity for data lane 1 0bX1X: Inverse polarity for data lane 1 0b0XX: Normal polarity for clock lane (DPHY only) 0b1XX: Inverse polarity for clock lane (DPHY only)
phy2_pol_map	2:0	MIPI PHY2 lane polarity. In DPHY mode, this controls the polarity for clock, D1, and D0. In normal polarity, P is positive, N is negative. In inverse polarity, P is negative, N is positive. In CPHY mode, this controls the A and C pin routing in the ABC three-pin trio. In normal polarity, no pins in the ABC trio are swapped. In inverse polarity, the A and C pins are swapped.	0bXX0: Normal polarity for data lane 0 0bXX1: Inverse polarity for data lane 0 0bX0X: Normal polarity for data lane 1 0bX1X: Inverse polarity for data lane 1 0b0XX: Normal polarity for clock lane (DPHY only) 0b1XX: Inverse polarity for clock lane (DPHY only)

MIPI_PHY9 (0x339)

BIT	7	6	5	4	3	2	1	0
Field	phy_cp0_dst[1:0]		–	RSVD	RSVD	–	RSVD	phy_cp0_overflow
Reset	0b00		–	0b0	0b0	–	0b0	0b0
Access Type	Write, Read		–			–		Read Clears All

BITFIELD	BITS	DESCRIPTION	DECODE
phy_cp0_dst	7:6	MIPI PHY copy 0 destination. See phy_cp0 for details.	0x0: Reserved 0x1: MIPI PHY 1 0x2: MIPI PHY 2 0x3: Reserved
phy_cp0_overflow	0	PHY copy 0 FIFO overflow flag (sticky)	0b0: No overflow error has occurred 0b1: Overflow error has occurred

MIPI_PHY10 (0x33A)

BIT	7	6	5	4	3	2	1	0
Field	phy_cp0_src[1:0]		RSVD[2:0]			–	RSVD	phy_cp0_underflow
Reset	0b00		0b000			–	0b1	0b0
Access Type	Write, Read					–		Read Clears All

BITFIELD	BITS	DESCRIPTION	DECODE
phy_cp0_src	7:6	MIPI PHY copy 0 source. See phy_cp0 for details.	0x0: Reserved 0x1: MIPI PHY 1 0x2: MIPI PHY 2 0x3: Reserved
phy_cp0_underflow	0	PHY copy 0 FIFO underflow flag (sticky)	0b0: No underflow error has occurred 0b1: Underflow error has occurred

MIPI_PHY11 (0x33B)

BIT	7	6	5	4	3	2	1	0
Field	phy_cp1_dst[1:0]		RSVD[2:0]			–	RSVD	phy_cp1_overflow
Reset	0b00		0b000			–	0b0	0b0
Access Type	Write, Read					–		Read Clears All

BITFIELD	BITS	DESCRIPTION	DECODE
phy_cp1_dst	7:6	MIPI PHY copy 1 destination. See phy_cp1 for details.	0x0: Reserved 0x1: MIPI PHY 1 0x2: MIPI PHY 2 0x3: Reserved
phy_cp1_overflow	0	PHY copy 1 FIFO overflow flag (sticky)	0b0: No overflow error has occurred 0b1: Overflow error has occurred

MIPI_PHY12 (0x33C)

BIT	7	6	5	4	3	2	1	0
Field	phy_cp1_src[1:0]		RSVD[2:0]			–	RSVD	phy_cp1_underflow
Reset	0b00		0b000			–	0b1	0b0
Access Type	Write, Read					–		Read Clears All

BITFIELD	BITS	DESCRIPTION	DECODE
phy_cp1_src	7:6	MIPI PHY copy 1 source. See phy_cp1 for details.	0x0: Reserved 0x1: MIPI PHY 1 0x2: MIPI PHY 2 0x3: Reserved
phy_cp1_und erflow	0	PHY copy 1 FIFO underflow flag (sticky)	0b0: No underflow error has occurred 0b1: Underflow error has occurred

MIPI_PHY13 (0x33D)

BIT	7	6	5	4	3	2	1	0
Field	–	–	t_t3_prebegin[5:0]					
Reset	–	–	0x00					
Access Type	–	–	Write, Read					

BITFIELD	BITS	DESCRIPTION	DECODE
t_t3_prebegin	5:0	CPHY prebegin phase of the preamble (t3_prebegin + 1) x 7UI	0xXX: CPHY prebegin time given by (t3_prebegin + 1) x 7UI

MIPI_PHY14 (0x33E)

BIT	7	6	5	4	3	2	1	0	
Field	–	t_t3_post[4:0]					t_t3_prep[1:0]		
Reset	–	0x04					0x1		
Access Type	–	Write, Read					Write, Read		

BITFIELD	BITS	DESCRIPTION	DECODE
t_t3_post	6:2	CPHY post length after HS data = (t3_post + 1) x 7UI	0xXX: CPHY post time given by (t3_post + 1) x 7UI
t_t3_prep	1:0	CPHY Ths_prepare timing	0x0: 40ns 0x1: 55ns 0x2: 66.7ns 0x3: 86.7ns

MIPI_PHY15 (0x33F)

BIT	7	6	5	4	3	2	1	0
Field	–	–	–	–	RST_MIPITX_LOC[3:0]			
Reset	–	–	–	–	0x0			
Access Type	–	–	–	–	Write, Read			

BITFIELD	BITS	DESCRIPTION	DECODE
RST_MIPITX _LOC	3:0	Active high reset to MIPI controller DP_RST_MIPI_CHKb must be enabled to use this reset.	0b0000: Normal operation enabled 0bXX1X: Active high reset to CSI2/MIPI controller 1 0bX1XX: Active high reset to CSI2/MIPI controller 2 Others: Reserved

MIPI_PHY16 (0x340)

BIT	7	6	5	4	3	2	1	0
Field	–	–	TUN_DATA_CRC_ERR_OEN	TUN_ECC_UNCORR_ERR_OEN	TUN_ECC_CORR_ERR_OEN	–	–	VID_OVERFLOW_OEN
Reset	–	–	0b0	0b0	0b0	–	–	0b0
Access Type	–	–	Write, Read	Write, Read	Write, Read	–	–	Write, Read

BITFIELD	BITS	DESCRIPTION
TUN_DATA_CRC_ERR_OEN	5	For tunneling mode, enable reporting at ERRB pin of DPHY/CPHY data CRC errors
TUN_ECC_UNCORR_ERR_OEN	4	For tunneling mode, enable reporting at ERRB pin of uncorrectable errors on DPHY ECC or CPHY header CRC
TUN_ECC_CORR_ERR_OEN	3	For tunneling mode, enable reporting at ERRB pin of correctable errors on DPHY ECC or CPHY header CRC
VID_OVERFLOW_OEN	0	Enable reporting of video pipe overflow (VID_OVERFLOW) at ERRB pin

MIPI_PHY17 (0x341)

BIT	7	6	5	4	3	2	1	0
Field	–	–	TUN_DATA_CRC_ERR	TUN_ECC_UNCORR_ERR	TUN_ECC_CORR_ERR	–	–	VID_OVERFLOW_FLAG
Reset	–	–	0b0	0b0	0b0	–	–	0b0
Access Type	–	–	Read Only	Read Only	Read Only	–	–	Read Only

BITFIELD	BITS	DESCRIPTION	DECODE
TUN_DATA_CRC_ERR	5	For tunneling mode, DPHY/CPHY data CRC errors Combined for all MIPI PHYs. Read individual MIPI_TX STATUS registers to clear.	0b0: Flag not asserted 0b1: Flag asserted
TUN_ECC_UNCORR_ERR	4	For tunneling mode, uncorrectable errors on DPHY ECC or CPHY header CRC Combined for all MIPI PHYs. Read individual MIPI_TX STATUS registers to clear.	0b0: Flag not asserted 0b1: Flag asserted
TUN_ECC_CORR_ERR	3	For tunneling mode, correctable errors on DPHY ECC or CPHY header CRC. Combined for all MIPI PHYs. Read individual MIPI_TX STATUS registers to clear.	0b0: Flag not asserted 0b1: Flag asserted
VID_OVERFLOW_FLAG	0	Combined error status of all video pipe overflow (VID_OVERFLOW) bits. Read individual VID_OVERFLOW bits to clear.	0b0: Flag not asserted 0b1: Flag asserted

[MIPI_PHY18 \(0x342\)](#)

BIT	7	6	5	4	3	2	1	0
Field	csi2_tx2_pkt_cnt[3:0]				csi2_tx1_pkt_cnt[3:0]			
Reset	0x0				0x0			
Access Type	Read Only				Read Only			

BITFIELD	BITS	DESCRIPTION	DECODE
csi2_tx2_pkt_cnt	7:4	Packet Count of CSI2 Controller 2. Used for debug to determine if video data is outputting from CSI2 Controller.	0bXXXX: Number of packets out since video started
csi2_tx1_pkt_cnt	3:0	Packet Count of CSI2 Controller 1. Used for debug to determine if video data is outputting from CSI2 Controller.	0bXXXX: Number of packets out since video started

[MIPI_PHY19 \(0x343\)](#)

BIT	7	6	5	4	3	2	1	0
Field	csi2_dup2_pkt_cnt[3:0]				csi2_dup1_pkt_cnt[3:0]			
Reset	0x0				0x0			
Access Type	Read Only				Read Only			

BITFIELD	BITS	DESCRIPTION	DECODE
csi2_dup2_pkt_cnt	7:4	Packet Count of CSI2 Duplication 2. Used for debug to determine if video data is outputting from CSI2 Duplication.	0bXXXX: Number of packets out since video started
csi2_dup1_pkt_cnt	3:0	Packet Count of CSI2 Duplication 1. Used for debug to determine if video data is outputting from CSI2 Duplication.	0bXXXX: Number of packets out since video started

[MIPI_PHY20 \(0x344\)](#)

BIT	7	6	5	4	3	2	1	0
Field	phy1_pkt_cnt[3:0]				phy0_pkt_cnt[3:0]			
Reset	0x0				0x0			
Access Type	Read Only				Read Only			

BITFIELD	BITS	DESCRIPTION	DECODE
phy1_pkt_cnt	7:4	Packet Count of MIPI PHY1. Used for debug to determine if video data is outputting from MIPI PHY.	0bXXXX: Number of packets out since video started
phy0_pkt_cnt	3:0	Packet Count of MIPI PHY0. Used for debug to determine if video data is outputting from MIPI PHY.	0bXXXX: Number of packets out since video started

MIPI_PHY21 (0x345)

BIT	7	6	5	4	3	2	1	0
Field	phy3_pkt_cnt[3:0]				phy2_pkt_cnt[3:0]			
Reset	0x0				0x0			
Access Type	Read Only				Read Only			

BITFIELD	BITS	DESCRIPTION	DECODE
phy3_pkt_cnt	7:4	Packet Count of MIPI PHY3. Used for debug to determine if video data is outputting from MIPI PHY.	0bXXXX: Number of packets out since video started
phy2_pkt_cnt	3:0	Packet Count of MIPI PHY2. Used for debug to determine if video data is outputting from MIPI PHY.	0bXXXX: Number of packets out since video started

FSYNC_0 (0x3E0)

BIT	7	6	5	4	3	2	1	0
Field	EN_OFLOW_RST_FS	RSVD	FSYNC_OUT_PIN	EN_VS_GEN	FSYNC_MODE[1:0]		FSYNC_METH[1:0]	
Reset	0b0	0b0	0b0	0b0	0b11		0b10	
Access Type	Write, Read		Write, Read	Write, Read	Write, Read		Write, Read	

BITFIELD	BITS	DESCRIPTION	DECODE
EN_OFLOW_RST_FS	7	When enabled, memory overflow resets frame sync generation	0b0: Do not reset frame sync generation when memory overflow occurs 0b1: Reset frame sync generation when memory overflow occurs
FSYNC_OUT_PIN	5	Select pin to output frame sync signal (effective only when FSYNC_METH = 01)	0b0: Reserved 0b1: MFP0
EN_VS_GEN	4	When enabled, VS is generated internally by the frame sync generator (not effective when FSYNC_MODE = 11)	0x0: Internal frame sync does not generate VS 0x1: Internal frame sync generates VS
FSYNC_MODE	3:2	Frame Synchronization Mode	GMSL2/3: 0b00: Frame sync generation is on. FSYNC_OUT pin is not used as FSYNC output, but a GPIO on the remote side can be used 0b01: Frame sync generation is on. FSYNC_OUT pin is used as FSYNC output and drives subordinate device, and a GPIO on the remote side can be used 0b10: Frame sync generation is off. FSYNC_OUT pin is not used as FSYNC output. 0b11: Frame sync generation is off. FSYNC_OUT pin is not used as FSYNC output
FSYNC_METHOD	1:0	Frame Synchronization Method	0b00: Manual 0b01: Semi-auto 0b10: Auto 0b11: Reserved

FSYNC_1 (0x3E1)

BIT	7	6	5	4	3	2	1	0
Field	RSVD[1:0]		RSVD[1:0]		FSYNC_PER_DIV[3:0]			
Reset	0b00		0b00		0x0			
Access Type					Write, Read			

BITFIELD	BITS	DESCRIPTION	DECODE
FSYNC_PER_DIV	3:0	Frame sync transmission period in terms of VSYNC periods	0x0: 1 0x1: 2 0x2: 4 0x3: 6 0x4: 8 0x5: 10 0x6: 12 0x7: 16 0x8: 20 0x9: 24 0xA: 32 0xB: 48 0xC: 64 0xD: 80 0xE: 96 0xF: 128

FSYNC_2 (0x3E2)

BIT	7	6	5	4	3	2	1	0
Field	MST_LINK_SEL[2:0]			K_VAL_SIGN	K_VAL[3:0]			
Reset	0b100			0b0	0x1			
Access Type	Write, Read			Write, Read	Write, Read			

BITFIELD	BITS	DESCRIPTION	DECODE
MST_LINK_SEL	7:5	Main link select for frame sync generation	0b000: Reserved 0b001: Video Y 0b010: Video Z 0b011: Reserved 0b100: Auto select 0b101: Auto select 0b110: Auto select 0b111: Auto select
K_VAL_SIGN	4	Sign bit of K_VAL	0b0: K_VAL is positive 0b1: K_VAL is negative

BITFIELD	BITS	DESCRIPTION	DECODE
K_VAL	3:0	Desired frame sync margin (microseconds, typical) with respect to the V _{SYNC} of the slowest link in auto mode or with respect to the V _{SYNC} of the main link in semi-auto mode.	0x0: 1 0x1: 2 0x2: 3 0x3: 4 0x4: 5 0x5: 6 0x6: 7 0x7: 8 0x8: 10 0x9: 12 0xA: 14 0xB: 16 0xC: 20 0xD: 24 0xE: 28 0xF: 32

FSYNC 3 (0x3E3)

BIT	7	6	5	4	3	2	1	0
Field	P_VAL_L[7:0]							
Reset	0x00							
Access Type	Write, Read							

BITFIELD	BITS	DESCRIPTION	DECODE
P_VAL_L	7:0	Low byte of desired frame sync margin in terms of PCLK cycles with respect to the V _{SYNC} of the slowest link in auto mode or with respect to the V _{SYNC} of the main link in semi-auto mode	0xXX: Low byte of PCLK cycles frame sync margin

FSYNC 4 (0x3E4)

BIT	7	6	5	4	3	2	1	0
Field	–	–	P_VAL_SIG N	P_VAL_H[4:0]				
Reset	–	–	0b0	0b00000				
Access Type	–	–	Write, Read	Write, Read				

BITFIELD	BITS	DESCRIPTION	DECODE
P_VAL_SIG N	5	Sign bit of P_VAL	0b0: P_VAL is positive 0b1: P_VAL is negative
P_VAL_H	4:0	High bits of desired frame sync margin in terms of PCLK cycles with respect to the V _{SYNC} of the slowest link in auto mode or with respect to the V _{SYNC} of the main link in semi-auto mode	0b00000: High bits of PCLK cycles frame sync margin

[FSYNC_5 \(0x3E5\)](#)

BIT	7	6	5	4	3	2	1	0
Field	FSYNC_PERIOD_L[7:0]							
Reset	0x00							
Access Type	Write, Read							

BITFIELD	BITS	DESCRIPTION	DECODE
FSYNC_PERIOD_L	7:0	Low byte of frame sync period in terms of pixel clock effective when FSYNC_METH (0x3E0) = 00 and FSYNC_MODE (0x3E0) = 0x	0xXX: Low byte of PCLK cycles in frame period

[FSYNC_6 \(0x3E6\)](#)

BIT	7	6	5	4	3	2	1	0
Field	FSYNC_PERIOD_M[7:0]							
Reset	0x00							
Access Type	Write, Read							

BITFIELD	BITS	DESCRIPTION	DECODE
FSYNC_PERIOD_M	7:0	Middle byte of frame sync period in terms of pixel clock (effective when FSYNC_METH (0x3E0) = 00 and FSYNC_MODE (0x3E0) = 0x)	0xXX: Middle byte of PCLK cycles in frame period

[FSYNC_7 \(0x3E7\)](#)

BIT	7	6	5	4	3	2	1	0
Field	FSYNC_PERIOD_H[7:0]							
Reset	0x00							
Access Type	Write, Read							

BITFIELD	BITS	DESCRIPTION	DECODE
FSYNC_PERIOD_H	7:0	High byte of frame sync period in terms of pixel clock (effective when FSYNC_METH (0x3E0) = 00 and FSYNC_MODE (0x3E0) = 0x)	0xXX: High byte of PCLK cycles in frame period

[FSYNC_8 \(0x3E8\)](#)

BIT	7	6	5	4	3	2	1	0
Field	FRM_DIFF_ERR_THR_L[7:0]							
Reset	0x00							
Access Type	Write, Read							

BITFIELD	BITS	DESCRIPTION	DECODE
FRM_DIFF_ERR_THR_L	7:0	Low byte of the error threshold for difference between the earliest and latest V _{SYNCs} in terms of PCLK cycles. The default is 40μs for 96MHz PCLK. The function is disabled when all 13 bits are zeros.	0xXX: Low byte of PCLK cycles in the VSYNC error threshold

FSYNC_9 (0x3E9)

BIT	7	6	5	4	3	2	1	0
Field	–	–	–	FRM_DIFF_ERR_THR_H[4:0]				
Reset	–	–	–	0b01111				
Access Type	–	–	–	Write, Read				

BITFIELD	BITS	DESCRIPTION	DECODE
FRM_DIFF_ERR_THR_H	4:0	High bits of the error threshold for difference between the earliest and latest V _{SYNCs} in terms of PCLK cycles. The default is 40μs for 96MHz PCLK. The function is disabled when all 13 bits are zeros.	0bXXXXX: High bits of PCLK cycles in the VSYNC error threshold

FSYNC_10 (0x3EA)

BIT	7	6	5	4	3	2	1	0
Field	OVL_P_WINDOW_L[7:0]							
Reset	0x00							
Access Type	Write, Read							

BITFIELD	BITS	DESCRIPTION	DECODE
OVL_P_WINDOW_L	7:0	Low byte of the overlap window value in terms of PCLK cycles. The window starts from the VS rising edge from the fastest image sensor and ends when a frame sync signal is seen. The default is 60μs for 96MHz PCLK. The function is disabled when all 13 bits are zeros.	0xXX: Low byte of PCLK cycles in the VSYNC overlap window.

FSYNC_11 (0x3EB)

BIT	7	6	5	4	3	2	1	0
Field	EN_FSIN_L AST	–	–	OVL_P_WINDOW_H[4:0]				
Reset	0b0	–	–	0b00000				
Access Type	Write, Read	–	–	Write, Read				

BITFIELD	BITS	DESCRIPTION	DECODE
EN_FSIN_LAST	7	FSIN position	0b0: FSIN can occur anywhere with respect to VS rising edges 0b1: FSIN occurs after all rising edges
OVLP_WINDOW_H	4:0	Low byte of the overlap window value in terms of PCLK cycles. The window starts from the VS rising edge from the fastest image sensor and ends when a frame sync signal is seen. The default is 60µs for 96MHz PCLK. The function is disabled when all 13 bits are zeros.	0bXXXXX: High bits of PCLK cycles in the VSYNC overlap window.

FSYNC_15 (0x3EF)

BIT	7	6	5	4	3	2	1	0
Field	FS_GPIO_TYPE	FS_USE_XTAL	–	AUTO_FS_LINKS	–	FS_EN_Z	FS_EN_Y	–
Reset	0b1	0b0	–	0b1	–	0b1	0b1	–
Access Type	Write, Read	Write, Read	–	Write, Read	–	Write, Read	Write, Read	–

BITFIELD	BITS	DESCRIPTION	DECODE
FS_GPIO_TYPE	7	Select the type of FSYNC signal to output from GPIO	0x0: GSML1 type 0x1: GMSL2 type
FS_USE_XTAL	6	Use crystal oscillator clock for generating frame sync signal	0x0: Disabled 0x1: Enabled
AUTO_FS_LINKS	4	Select how links are selected for frame sync generation	0x0: Include links selected by FS_LINK_x register bits in frame sync generation 0x1: Include all enabled links in frame sync generation
FS_EN_Z	2	Include Video Pipe Z in frame-sync generation This is used only if AUTO_FS_LINKS = 0.	0x0: Do not include Video Pipe Z in frame-sync generation 0x1: Include Video Pipe Z in frame-sync generation
FS_EN_Y	1	Include Video Pipe Y in frame-sync generation This is used only if AUTO_FS_LINKS = 0	0x0: Do not include Video Pipe Y in frame-sync generation 0x1: Include Video Pipe Y in frame-sync generation

FSYNC_16 (0x3F0)

BIT	7	6	5	4	3	2	1	0
Field	FSYNC_ERR_CNT[7:0]							
Reset	0x00							
Access Type	Read Clears All							

BITFIELD	BITS	DESCRIPTION	DECODE
FSYNC_ERR_CNT	7:0	Frame Sync Error Counter Resets to 0 when read or when FSYNC_LOCKED goes high.	0xXX: Frame sync error counter

[FSYNC_17 \(0x3F1\)](#)

BIT	7	6	5	4	3	2	1	0
Field	FSYNC_TX_ID[4:0]					FSYNC_ERR_THR[2:0]		
Reset	0b11110					0b000		
Access Type	Write, Read					Write, Read		

BITFIELD	BITS	DESCRIPTION	DECODE
FSYNC_TX_ID	7:3	GPIO ID used for transmitting FSYNC signal. The remote side should set the corresponding GPIO_RX_ID to the same value.	0bXXXXX: GPIO ID
FSYNC_ERR_THR	2:0	Frame Sync Error Threshold Reporting FSYNC_ERR_FLAG is asserted when FSYNC_ERR_CNT (0x3F0) ≥ FSYNC_ERR_THR.	0bXXX: Frame sync error reporting threshold

[FSYNC_18 \(0x3F2\)](#)

BIT	7	6	5	4	3	2	1	0
Field	CALC_FRM_LEN_L[7:0]							
Reset	0x00							
Access Type	Read Only							

BITFIELD	BITS	DESCRIPTION	DECODE
CALC_FRM_LEN_L	7:0	Low byte of calculated VS period (number of PCLKs) of main link in auto or semi-auto synchronization mode. Use when FSYNC_METH (0x03E) = 10 and FSYNC_MODE (0x3E) = 0x.	0xXX: Low byte of PCLKs in VS period in main link auto or semi-auto synchronization mode.

[FSYNC_19 \(0x3F3\)](#)

BIT	7	6	5	4	3	2	1	0
Field	CALC_FRM_LEN_M[7:0]							
Reset	0x00							
Access Type	Read Only							

BITFIELD	BITS	DESCRIPTION	DECODE
CALC_FRM_LEN_M	7:0	Middle byte of calculated VS period (number of PCLKs) of main link in auto or semi-auto synchronization mode. Use when FSYNC_METH (0x03E) = 10 and FSYNC_MODE (0x3E) = 0x.	0xXX: Middle byte of PCLKs in VS period in main link auto or semi-auto synchronization mode.

[FSYNC_20 \(0x3F4\)](#)

BIT	7	6	5	4	3	2	1	0
Field	CALC_FRM_LEN_H[7:0]							
Reset	0x00							
Access Type	Read Only							

BITFIELD	BITS	DESCRIPTION	DECODE
CALC_FRM_LEN_H	7:0	High byte of calculated VS period (number of PCLKs) of main link in auto or semi-auto synchronization mode. Use when FSYNC_METH (0x03E) = 10 and FSYNC_MODE (0x3E) = 0x.	0xXX: High byte of PCLKs in VS period in main link auto or semi-auto synchronization mode.

[FSYNC_21 \(0x3F5\)](#)

BIT	7	6	5	4	3	2	1	0
Field	FRM_DIFF_L[7:0]							
Reset	0x00							
Access Type	Read Only							

BITFIELD	BITS	DESCRIPTION	DECODE
FRM_DIFF_L	7:0	Low byte of the difference between the fastest and the slowest frame in terms of main PCLK cycles	0xXX: Low byte of number of PCLKs in the difference between the fastest and slowest frame.

[FSYNC_22 \(0x3F6\)](#)

BIT	7	6	5	4	3	2	1	0
Field	FSYNC_LOSS_OF_LOCK	FSYNC_LOCKED	FRM_DIFF_H[5:0]					
Reset	0b0	0b0	0b000000					
Access Type	Read Clears All	Read Only	Read Only					

BITFIELD	BITS	DESCRIPTION	DECODE
FSYNC_LOSS_OF_LOCK	7	Frame Synchronization Lost Lock Flag Cleared when read.	0b0: Frame sync lock not lost 0b1: Frame sync lock lost
FSYNC_LOCKED	6	Frame Synchronization Lock Flag	0b0: Frame sync not locked 0b1: Frame sync locked
FRM_DIFF_H	5:0	High bits of the difference between the fastest and the slowest frame in terms of main PCLK cycles	0bXXXXXX: High bits of number of PCLKs in the difference between the fastest and slowest frame.

FSYNC_23 (0x3F7)

BIT	7	6	5	4	3	2	1	0
Field	EN_SYNC_COMP	EN_LINK_R ESET	–	–	–	FSYNC_OV R_Z	FSYNC_OV R_Y	–
Reset	0b0	0b0	–	–	–	0b0	0b0	–
Access Type	Write, Read	Write, Read	–	–	–	Write, Read	Write, Read	–

BITFIELD	BITS	DESCRIPTION	DECODE
EN_SYNC_COMP	7	Bypass FSYNC sync complete term in CSI_OUT_EN (0x313). Enabling sync complete may cause video out to stop if a GMSL link drop occurs during internal frame sync configurations.	0x0: Bypass FSYNC sync complete 0x1: Enable bypass FSYNC sync complete
EN_LINK_R ESET	6	Internal Frame Sync Reset Link Enable If enabled, may not operate correctly if GMSL link drop occurs.	0x0: Disable link reset capability 0x1: Enable link reset capability
FSYNC_OV R_Z	2	Override of video_lock_1 during internal frame sync configuration using FS_LINK_X. If logic 1, Link 1 continues to be seen by frame sync state machines even if GMSL link drop occurs. Not used in AUTO_FS_LINKS mode.	0b0: Do not include Video Pipe Z in frame sync generation 0b1: Include Video Pipe Z in frame sync generation
FSYNC_OV R_Y	1	Override of video_lock_1 during internal frame sync configuration using FS_LINK_X. If logic 1, Link 1 continues to be seen by frame sync state machines even if GMSL link drop occurs. Not used in AUTO_FS_LINKS mode.	0b0: Do not include Video Pipe Y in frame sync generation 0b1: Include Video Pipe Y in frame sync generation

MIPI_TX10 (0x40A)

BIT	7	6	5	4	3	2	1	0
Field	CSI2_LANE_CNT[1:0]		CSI2_CPHY_EN	RSVD	–	–	–	–
Reset	0b11		0b0	0b1	–	–	–	–
Access Type	Write, Read		Write, Read		–	–	–	–

BITFIELD	BITS	DESCRIPTION	DECODE
CSI2_LANE_CNT	7:6	Set number of MIPI data lanes	0b00: One data lane 0b01: Two data lanes 0b10: Three data lanes 0b11: Four data lanes
CSI2_CPHY_EN	5	Enable CPHY	0b0: CPHY disabled 0b1: CPHY enabled

MIPI_TX1 (0x441)

BIT	7	6	5	4	3	2	1	0
Field	MODE[7:0]							
Reset	0x00							
Access Type	Write, Read							

BITFIELD	BITS	DESCRIPTION	DECODE
MODE	7:0	MIPI Tx Mode	0bXXXXXXXX0: Disable MIPI VS short packet counter 0bXXXXXXXX1: Enable MIPI VS short packet counter

MIPI_TX2 (0x442)

BIT	7	6	5	4	3	2	1	0
Field	STATUS[7:0]							
Reset	0x00							
Access Type	Read Only							

BITFIELD	BITS	DESCRIPTION	DECODE
STATUS	7:0	MIPI Tx Status The register is split into decode segments: bit[0] SYNC mode enable. bit[1] Video sync flag bit[2] Loss of video sync flag bit[3] Tunneling mode: DPHY ECC or CPHY header CRC error (correctable) bit[4] Tunneling mode: DPHY ECC or CPHY header CRC error (uncorrectable) bit[5] Tunneling mode: DPHY/CPHY data CRC error	0bXXXXXXXX0: SYNC mode disabled 0bXXXXXXXX1: SYNC mode enabled 0bXXXXXXXX0X: Video channels not in-sync 0bXXXXXXXX1X: Video channels in-sync 0bXXXXX0XX: No loss of video sync 0bXXXXX1XX: Video sync lost after last read of this register or RESET. 0bXXXX0XXX: No tunneling ECC correctable error 0bXXXX1XXX: Tunneling ECC correctable error after last read of this register or RESET. 0bXXX0XXXX: No tunneling ECC uncorrectable error 0bXXX1XXXX: Tunneling ECC uncorrectable error after last read of this register or RESET. 0bXX0XXXXX: No tunneling data CRC error 0bXX1XXXXX: Tunneling data CRC error after last read of this register or RESET.

MIPI_TX3 (0x443)

BIT	7	6	5	4	3	2	1	0
Field	DESKEW_INIT[7:0]							
Reset	0x01							
Access Type	Write, Read							

BITFIELD	BITS	DESCRIPTION	DECODE
DESKEW_INIT	7:0	<p>DPHY Deskew Initial Calibration Control</p> <p>The register is split into six decode segments: bit[7] Selects auto-initial deskew calibration on or off bit[6] Reserved bit[5] Any bit change initiates an initial calibration if bit 4 = 1 bit[4] Selects manual initial on or off bit[3] Reserved bits[2:0] Selects initial deskew width</p>	<p>0bXXXXX000: Reserved 0bXXXXX001: Initial deskew width = 2 x 32k UI - (t_{lpx}+t_{hs_przero})[UI] - 16 UI 0bXXXXX010: Initial deskew width = 3 x 32k UI - (t_{lpx}+t_{hs_przero})[UI] - 16 UI 0bXXXXX011: Initial deskew width = 4 x 32k UI - (t_{lpx}+t_{hs_przero})[UI] - 16 UI 0bXXXXX100: Initial deskew width = 5 x 32k UI - (t_{lpx}+t_{hs_przero})[UI] - 16 UI 0bXXXXX101: Initial deskew width = 6 x 32k UI - (t_{lpx}+t_{hs_przero})[UI] - 16 UI 0bXXXXX110: Initial deskew width = 7 x 32k UI - (t_{lpx}+t_{hs_przero})[UI] - 16 UI 0bXXXXX111: Initial deskew width = 8 x 32k UI - (t_{lpx}+t_{hs_przero})[UI] - 16 UI 0bXXXX0XXX: Reserved 0bXXX1XXX: Reserved 0bXXX0XXXX: Manual initial off 0bXXX1XXXX: Manual initial on 0bX0XXXXXX: If bit 4 = 1, triggers one-time immediate initial skew calibration 0bX1XXXXXX: If bit 4 = 1, triggers one-time immediate initial skew calibration 0bX0XXXXXX: Reserved 0bX1XXXXXX: Reserved 0b0XXXXXXX: Auto initial deskew off 0b1XXXXXXX: Auto initial deskew on</p>

MIPI_TX4 (0x444)

BIT	7	6	5	4	3	2	1	0
Field	DESKEW_PER[7:0]							
Reset	0x01							
Access Type	Write, Read							

BITFIELD	BITS	DESCRIPTION	DECODE
DESKEW_P ER	7:0	<p>DPHY Periodic Deskew Calibration Control</p> <p>The register is split into four decode segments:</p> <p>bit[7] Selects periodic deskew calibration on or off</p> <p>bit[6] Selects generation on rising or falling edge of VS</p> <p>bits[5:3] Selects periodic interval</p> <p>bits[2:0] Selects periodic deskew width</p>	<p>0bXXXXX000: Reserved</p> <p>0bXXXXX001: Periodic deskew width = 2k UI - (t_{lpx}+t_{hs_przero})[UI] - 16 UI</p> <p>0bXXXXX010: Periodic deskew width = 3k UI - (t_{lpx}+t_{hs_przero})[UI] - 16 UI</p> <p>0bXXXXX011: Periodic deskew width = 4k UI - (t_{lpx}+t_{hs_przero})[UI] - 16 UI</p> <p>0bXXXXX100: Periodic deskew width = 5k UI - (t_{lpx}+t_{hs_przero})[UI] - 16 UI</p> <p>0bXXXXX101: Periodic deskew width = 6k UI - (t_{lpx}+t_{hs_przero})[UI] - 16 UI</p> <p>0bXXXXX110: Periodic deskew width = 7k UI - (t_{lpx}+t_{hs_przero})[UI] - 16 UI</p> <p>0bXXXXX111: Periodic deskew width = 8k UI - (t_{lpx}+t_{hs_przero})[UI] - 16 UI</p> <p>0bXX000XXX: Periodic deskew calibration generated every frame</p> <p>0bXX001XXX: Periodic deskew calibration generated every 2 frames</p> <p>0bXX010XXX: Periodic deskew calibration generated every 4 frames</p> <p>0bXX011XXX: Periodic deskew calibration generated every 8 frames</p> <p>0bXX100XXX: Periodic deskew calibration generated every 16 frames</p> <p>0bXX101XXX: Periodic deskew calibration generated every 32 frames</p> <p>0bXX110XXX: Periodic deskew calibration generated every 64 frames</p> <p>0bXX111XXX: Periodic deskew calibration generated every 128 frames</p> <p>0bX0XXXXXX: Periodic deskew calibration generated at rising edge of VS</p> <p>0bX1XXXXXX: Periodic deskew calibration generated at falling edge of VS</p> <p>0b0XXXXXXX: Periodic deskew calibration off</p> <p>0b1XXXXXXX: Periodic deskew calibration on</p>

MIPI_TX7 (0x447)

BIT	7	6	5	4	3	2	1	0
Field	CSI2_TX_GAP[7:0]							
Reset	0x1C							
Access Type	Write, Read							
BITFIELD	BITS	DESCRIPTION	DECODE					
CSI2_TX_GA P	7:0	Number of MIPI byte clocks to wait after the HS clock has entered LP before enabling it again for the next transmission.	0xXX: Number of MIPI byte clocks					

MIPI_TX10 (0x44A)

BIT	7	6	5	4	3	2	1	0
Field	CSI2_LANE_CNT[1:0]		CSI2_CPHY_EN	RSVD	CSI_VCX_EN	RSVD[2:0]		
Reset	0b11		0b0	0b1	0b0	0b000		
Access Type	Write, Read		Write, Read		Write, Read			

BITFIELD	BITS	DESCRIPTION	DECODE
CSI2_LANE_CNT	7:6	Set number of MIPI data lanes	0b00: One data lane 0b01: Two data lanes 0b10: Three data lanes 0b11: Four data lanes
CSI2_CPHY_EN	5	Enable CPHY	0b0: CPHY disabled 0b1: CPHY enabled
CSI_VCX_EN	3	Enable VC Extension	0b0: Disabled 0b1: Enabled

MIPI_TX11 (0x44B)

BIT	7	6	5	4	3	2	1	0
Field	MAP_EN_L[7:0]							
Reset	0x00							
Access Type	Write, Read							

BITFIELD	BITS	DESCRIPTION	DECODE
MAP_EN_L	7:0	<p>Mapping Enable Low Byte [7:0]</p> <p>Each bit enables one of eight mapping and distribution entries (defined in MAP_SRC_x, MAP_DST_x, and MAP_DPHY_DST_x) for the current video stream.</p> <p>Non-matched virtual channel (VC) and data types (DT) pass to the corresponding CSI2 controller.</p> <p>In video pixel mode, this is used to change any VC, DT, CSI2 controller destination.</p>	<p>0xX1: Enable MAP_SRC_0 (0x44D) and MAP_DST_0 (0x44E) bitfields</p> <p>0xX2: Enable MAP_SRC_1 (0x44F) and MAP_DST_1 (0x450) bitfields</p> <p>0xX4: Enable MAP_SRC_2 (0x451) and MAP_DST_2 (0x452) bitfields</p> <p>0xX8: Enable MAP_SRC_3 (0x453) and MAP_DST_3 (0x454) bitfields</p> <p>0x1X: Enable MAP_SRC_4 (0x455) and MAP_DST_4 (0x456) bitfields</p> <p>0x2X: Enable MAP_SRC_5 (0x457) and MAP_DST_5 (0x458) bitfields</p> <p>0x4X: Enable MAP_SRC_6 (0x459) and MAP_DST_6 (0x45A) bitfields</p> <p>0x8X: Enable MAP_SRC_7 (0x45B) and MAP_DST_7 (0x45C) bitfields</p>

MIPI_TX12 (0x44C)

BIT	7	6	5	4	3	2	1	0
Field	MAP_EN_H[7:0]							
Reset	0x00							
Access Type	Write, Read							

BITFIELD	BITS	DESCRIPTION	DECODE
MAP_EN_H	7:0	<p>Mapping Enable High Byte [15:8]</p> <p>Each bit enables one of eight mapping and distribution entries (defined in MAP_SRC_x, MAP_DST_x and MAP_DPHY_DST_x) for the current video stream.</p> <p>Non-matched virtual channel (VC) and data types (DT) pass to the corresponding CSI2 controller.</p> <p>In video pixel mode, this is used to change any VC, DT, CSI2 controller destination.</p>	<p>ValueEnumerationDecode</p> <p>0xX1: Enable MAP_SRC_8 (0x45D) and MAP_DST_8 (0x45E) bitfields</p> <p>0xX2: Enable MAP_SRC_9 (0x45F) and MAP_DST_9 (0x460) bitfields</p> <p>0xX4: Enable MAP_SRC_10 (0x461) and MAP_DST_10 (0x462) bitfields</p> <p>0xX8: Enable MAP_SRC_11 (0x463) and MAP_DST_11 (0x464) bitfields</p> <p>0x1X: Enable MAP_SRC_12 (0x465) and MAP_DST_12 (0x466) bitfields</p> <p>0x2X: Enable MAP_SRC_13 (0x467) and MAP_DST_13 (0x468) bitfields</p> <p>0x4X: Enable MAP_SRC_14 (0x469) and MAP_DST_14 (0x46A) bitfields</p> <p>0x8X: Enable MAP_SRC_15 (0x46B) and MAP_DST_15 (0x46C) bitfields</p>

MIPI_TX13 (0x44D)

BIT	7	6	5	4	3	2	1	0
Field	MAP_SRC_0[7:0]							
Reset	0x00							
Access Type	Write, Read							

BITFIELD	BITS	DESCRIPTION	DECODE
MAP_SRC_0	7:0	<p>Mapping Source Register 0</p> <p>The register is split into two decode segments: bits[7:6] VC - Virtual channel bits[5:0] DT - Data type</p>	0xXX: VC and DT source for map 0

MIPI_TX14 (0x44E)

BIT	7	6	5	4	3	2	1	0
Field	MAP_DST_0[7:0]							
Reset	0x00							
Access Type	Write, Read							

BITFIELD	BITS	DESCRIPTION	DECODE
MAP_DST_0	7:0	<p>Mapping Destination Register 0</p> <p>The register is split into two decode segments: bits[7:6] VC - Virtual channel bits[5:0] DT - Data type</p>	0xXX: VC and DT destination for map 0

[MIPI_TX15 \(0x44F\)](#)

BIT	7	6	5	4	3	2	1	0
Field	MAP_SRC_1[7:0]							
Reset	0x00							
Access Type	Write, Read							

BITFIELD	BITS	DESCRIPTION	DECODE
MAP_SRC_1	7:0	Mapping Source Register 1 The register is split into two decode segments: bits[7:6] VC - Virtual channel bits[5:0] DT - Data type	0xXX: VC and DT source for map 1

[MIPI_TX16 \(0x450\)](#)

BIT	7	6	5	4	3	2	1	0
Field	MAP_DST_1[7:0]							
Reset	0x00							
Access Type	Write, Read							

BITFIELD	BITS	DESCRIPTION	DECODE
MAP_DST_1	7:0	Mapping Destination Register 1 The register is split into two decode segments: bits[7:6] VC - Virtual channel bits[5:0] DT - Data type	0xXX: VC and DT destination for map 1

[MIPI_TX17 \(0x451\)](#)

BIT	7	6	5	4	3	2	1	0
Field	MAP_SRC_2[7:0]							
Reset	0x00							
Access Type	Write, Read							

BITFIELD	BITS	DESCRIPTION	DECODE
MAP_SRC_2	7:0	Mapping Source Register 2 The register is split into two decode segments: bits[7:6] VC - Virtual channel bits[5:0] DT - Data type	0xXX: VC and DT source for map 2

[MIPI_TX18 \(0x452\)](#)

BIT	7	6	5	4	3	2	1	0
Field	MAP_DST_2[7:0]							
Reset	0x00							
Access Type	Write, Read							

BITFIELD	BITS	DESCRIPTION	DECODE
MAP_DST_2	7:0	Mapping Destination Register 2 The register is split into two decode segments: bits[7:6] VC - Virtual channel bits[5:0] DT - Data type	0xXX: VC and DT destination for map 2

[MIPI_TX19 \(0x453\)](#)

BIT	7	6	5	4	3	2	1	0
Field	MAP_SRC_3[7:0]							
Reset	0x00							
Access Type	Write, Read							

BITFIELD	BITS	DESCRIPTION	DECODE
MAP_SRC_3	7:0	Mapping Source Register 3 The register is split into two decode segments: bits[7:6] VC - Virtual channel bits[5:0] DT - Data type	0xXX: VC and DT source for map 3

[MIPI_TX20 \(0x454\)](#)

BIT	7	6	5	4	3	2	1	0
Field	MAP_DST_3[7:0]							
Reset	0x00							
Access Type	Write, Read							

BITFIELD	BITS	DESCRIPTION	DECODE
MAP_DST_3	7:0	Mapping Destination Register 3 The register is split into two decode segments: bits[7:6] VC - Virtual channel bits[5:0] DT - Data type	0xXX: VC and DT destination for map 3

[MIPI_TX21 \(0x455\)](#)

BIT	7	6	5	4	3	2	1	0
Field	MAP_SRC_4[7:0]							
Reset	0x00							
Access Type	Write, Read							

BITFIELD	BITS	DESCRIPTION	DECODE
MAP_SRC_4	7:0	Mapping Source Register 4 The register is split into two decode segments: bits[7:6] VC - Virtual channel bits[5:0] DT - Data type	0xXX: VC and DT source for map 4

[MIPI_TX22 \(0x456\)](#)

BIT	7	6	5	4	3	2	1	0
Field	MAP_DST_4[7:0]							
Reset	0x00							
Access Type	Write, Read							

BITFIELD	BITS	DESCRIPTION	DECODE
MAP_DST_4	7:0	Mapping Destination Register 4 The register is split into two decode segments: bits[7:6] VC - Virtual channel bits[5:0] DT - Data type	0xXX: VC and DT destination for map 4

[MIPI_TX23 \(0x457\)](#)

BIT	7	6	5	4	3	2	1	0
Field	MAP_SRC_5[7:0]							
Reset	0x00							
Access Type	Write, Read							

BITFIELD	BITS	DESCRIPTION	DECODE
MAP_SRC_5	7:0	Mapping Source Register 5 The register is split into two decode segments: bits[7:6] VC - Virtual channel bits[5:0] DT - Data type	0xXX: VC and DT source for map 5

[MIPI_TX24 \(0x458\)](#)

BIT	7	6	5	4	3	2	1	0
Field	MAP_DST_5[7:0]							
Reset	0x00							
Access Type	Write, Read							

BITFIELD	BITS	DESCRIPTION	DECODE
MAP_DST_5	7:0	Mapping Destination Register 5 The register is split into two decode segments: bits[7:6] VC - Virtual channel bits[5:0] DT - Data type	0xXX: VC and DT destination for map 5

[MIPI_TX25 \(0x459\)](#)

BIT	7	6	5	4	3	2	1	0
Field	MAP_SRC_6[7:0]							
Reset	0x00							
Access Type	Write, Read							

BITFIELD	BITS	DESCRIPTION	DECODE
MAP_SRC_6	7:0	Mapping Source Register 6 The register is split into two decode segments: bits[7:6] VC - Virtual channel bits[5:0] DT - Data type	0xXX: VC and DT source for map 6

[MIPI_TX26 \(0x45A\)](#)

BIT	7	6	5	4	3	2	1	0
Field	MAP_DST_6[7:0]							
Reset	0x00							
Access Type	Write, Read							

BITFIELD	BITS	DESCRIPTION	DECODE
MAP_DST_6	7:0	Mapping Destination Register 6 The register is split into two decode segments: bits[7:6] VC - Virtual channel bits[5:0] DT - Data type	0xXX: VC and DT destination for map 6

[MIPI_TX27 \(0x45B\)](#)

BIT	7	6	5	4	3	2	1	0
Field	MAP_SRC_7[7:0]							
Reset	0x00							
Access Type	Write, Read							

BITFIELD	BITS	DESCRIPTION	DECODE
MAP_SRC_7	7:0	Mapping Source Register 7 The register is split into two decode segments: bits[7:6] VC - Virtual channel bits[5:0] DT - Data type	0xXX: VC and DT source for map 7

[MIPI_TX28 \(0x45C\)](#)

BIT	7	6	5	4	3	2	1	0
Field	MAP_DST_7[7:0]							
Reset	0x00							
Access Type	Write, Read							

BITFIELD	BITS	DESCRIPTION	DECODE
MAP_DST_7	7:0	Mapping Destination Register 7 The register is split into two decode segments: bits [7:6] VC - Virtual channel bits[5:0] DT - Data type	0xXX: VC and DT destination for map 7

[MIPI_TX29 \(0x45D\)](#)

BIT	7	6	5	4	3	2	1	0
Field	MAP_SRC_8[7:0]							
Reset	0x00							
Access Type	Write, Read							

BITFIELD	BITS	DESCRIPTION	DECODE
MAP_SRC_8	7:0	Mapping Source Register 8 The register is split into two decode segments: bits[7:6] VC - Virtual channel bits[5:0] DT - Data type	0xXX: VC and DT source for map 8

MIPI_TX30 (0x45E)

BIT	7	6	5	4	3	2	1	0
Field	MAP_DST_8[7:0]							
Reset	0x00							
Access Type	Write, Read							

BITFIELD	BITS	DESCRIPTION	DECODE
MAP_DST_8	7:0	Mapping Destination Register 8 The register is split into two decode segments: bits[7:6] VC - Virtual channel bits[5:0] DT - Data type	0xXX: VC and DT destination for map 8

MIPI_TX31 (0x45F)

BIT	7	6	5	4	3	2	1	0
Field	MAP_SRC_9[7:0]							
Reset	0x00							
Access Type	Write, Read							

BITFIELD	BITS	DESCRIPTION	DECODE
MAP_SRC_9	7:0	Mapping Source Register 9 The register is split into two decode segments: bits[7:6] VC - Virtual channel bits[5:0] DT - Data type	0xXX: VC and DT source for map 9

MIPI_TX32 (0x460)

BIT	7	6	5	4	3	2	1	0
Field	MAP_DST_9[7:0]							
Reset	0x00							
Access Type	Write, Read							

BITFIELD	BITS	DESCRIPTION	DECODE
MAP_DST_9	7:0	Mapping Destination Register 9 The register is split into two decode segments: bits[7:6] VC - Virtual channel bits[5:0] DT - Data type	0xXX: VC and DT destination for map 9

[MIPI_TX33 \(0x461\)](#)

BIT	7	6	5	4	3	2	1	0
Field	MAP_SRC_10[7:0]							
Reset	0x00							
Access Type	Write, Read							

BITFIELD	BITS	DESCRIPTION	DECODE
MAP_SRC_10	7:0	Mapping Source Register 10 The register is split into two decode segments: bits[7:6] VC - Virtual channel bits[5:0] DT - Data type	0xXX: VC and DT source for map 10

[MIPI_TX34 \(0x462\)](#)

BIT	7	6	5	4	3	2	1	0
Field	MAP_DST_10[7:0]							
Reset	0x00							
Access Type	Write, Read							

BITFIELD	BITS	DESCRIPTION	DECODE
MAP_DST_10	7:0	Mapping Destination Register 10 The register is split into two decode segments: bits[7:6] VC - Virtual channel bits[5:0] DT - Data type	0xXX: VC and DT destination for map 10

[MIPI_TX35 \(0x463\)](#)

BIT	7	6	5	4	3	2	1	0
Field	MAP_SRC_11[7:0]							
Reset	0x00							
Access Type	Write, Read							

BITFIELD	BITS	DESCRIPTION	DECODE
MAP_SRC_11	7:0	Mapping Source Register 11 The register is split into two decode segments: bits[7:6] VC - Virtual channel bits[5:0] DT - Data type	0xXX: VC and DT source for map 11

[MIPI_TX36 \(0x464\)](#)

BIT	7	6	5	4	3	2	1	0
Field	MAP_DST_11[7:0]							
Reset	0x00							
Access Type	Write, Read							

BITFIELD	BITS	DESCRIPTION	DECODE
MAP_DST_1 1	7:0	Mapping Destination Register 11 The register is split into two decode segments: bits[7:6] VC - Virtual channel bits[5:0] DT - Data type	0xXX: VC and DT destination for map 11

[MIPI_TX37 \(0x465\)](#)

BIT	7	6	5	4	3	2	1	0
Field	MAP_SRC_12[7:0]							
Reset	0x00							
Access Type	Write, Read							

BITFIELD	BITS	DESCRIPTION	DECODE
MAP_SRC_1 2	7:0	Mapping Source Register 12 The register is split into two decode segments: bits[7:6] VC - Virtual channel bits[5:0] DT - Data type	0xXX: VC and DT source for map 12

[MIPI_TX38 \(0x466\)](#)

BIT	7	6	5	4	3	2	1	0
Field	MAP_DST_12[7:0]							
Reset	0x00							
Access Type	Write, Read							

BITFIELD	BITS	DESCRIPTION	DECODE
MAP_DST_1 2	7:0	Mapping Destination Register 12 The register is split into two decode segments: bits[7:6] VC - Virtual channel bits[5:0] DT - Data type	0xXX: VC and DT destination for map 12

MIPI_TX39 (0x467)

BIT	7	6	5	4	3	2	1	0
Field	MAP_SRC_13[7:0]							
Reset	0x00							
Access Type	Write, Read							

BITFIELD	BITS	DESCRIPTION	DECODE
MAP_SRC_13	7:0	Mapping Source Register 13 The register is split into two decode segments: bits[7:6] VC - Virtual channel bits[5:0] DT - Data type	0xXX: VC and DT source for map 13

MIPI_TX40 (0x468)

BIT	7	6	5	4	3	2	1	0
Field	MAP_DST_13[7:0]							
Reset	0x00							
Access Type	Write, Read							

BITFIELD	BITS	DESCRIPTION	DECODE
MAP_DST_13	7:0	Mapping Destination Register 13 The register is split into two decode segments: bits[7:6] VC - Virtual channel bits[5:0] DT - Data type	0xXX: VC and DT destination for map 13

MIPI_TX41 (0x469)

BIT	7	6	5	4	3	2	1	0
Field	MAP_SRC_14[7:0]							
Reset	0x00							
Access Type	Write, Read							

BITFIELD	BITS	DESCRIPTION	DECODE
MAP_SRC_14	7:0	Mapping Source Register 14 The register is split into two decode segments: bits[7:6] VC - Virtual channel bits[5:0] DT - Data type	0xXX: VC and DT source for map 14

[MIPI_TX42 \(0x46A\)](#)

BIT	7	6	5	4	3	2	1	0
Field	MAP_DST_14[7:0]							
Reset	0x00							
Access Type	Write, Read							

BITFIELD	BITS	DESCRIPTION	DECODE
MAP_DST_14	7:0	Mapping Destination Register 14 The register is split into two decode segments: bits[7:6] VC - Virtual channel bits[5:0] DT - Data type	0xXX: VC and DT destination for map 14

[MIPI_TX43 \(0x46B\)](#)

BIT	7	6	5	4	3	2	1	0
Field	MAP_SRC_15[7:0]							
Reset	0x00							
Access Type	Write, Read							

BITFIELD	BITS	DESCRIPTION	DECODE
MAP_SRC_15	7:0	Mapping Source Register 15 The register is split into two decode segments: bits[7:6] VC - Virtual channel bits[5:0] DT - Data type	0xXX: VC and DT source for map 15

[MIPI_TX44 \(0x46C\)](#)

BIT	7	6	5	4	3	2	1	0
Field	MAP_DST_15[7:0]							
Reset	0x00							
Access Type	Write, Read							

BITFIELD	BITS	DESCRIPTION	DECODE
MAP_DST_15	7:0	Mapping Destination Register 15 The register is split into two decode segments: bits[7:6] VC - Virtual channel bits[5:0] DT - Data type	0xXX: VC and DT destination for map 15

[MIPI_TX45 \(0x46D\)](#)

BIT	7	6	5	4	3	2	1	0
Field	MAP_DPHY_DEST_3[1:0]		MAP_DPHY_DEST_2[1:0]		MAP_DPHY_DEST_1[1:0]		MAP_DPHY_DEST_0[1:0]	
Reset	0b00		0b00		0b00		0b00	
Access Type	Write, Read		Write, Read		Write, Read		Write, Read	

BITFIELD	BITS	DESCRIPTION	DECODE
MAP_DPHY_DEST_3	7:6	CSI2 controller destination for MAP_SRC_3 (0x453) and MAP_DST_0 (0x44E) mapping bitfields	0b00: Map to DPHY0 (4x2 mode only) 0b01: Map to DPHY1 0b10: Map to DPHY2 0b11: Map to DPHY3 (4x2 mode only)
MAP_DPHY_DEST_2	5:4	CSI2 controller destination for MAP_SRC_2 (0x451) and MAP_DST_0 (0x44E) mapping bitfields	0b00: Map to DPHY0 (4x2 mode only) 0b01: Map to DPHY1 0b10: Map to DPHY2 0b11: Map to DPHY3 (4x2 mode only)
MAP_DPHY_DEST_1	3:2	CSI2 controller destination for MAP_SRC_1 (0x44F) and MAP_DST_0 (0x44E) mapping bitfields	0b00: Map to DPHY0 (4x2 mode only) 0b01: Map to DPHY1 0b10: Map to DPHY2 0b11: Map to DPHY3 (4x2 mode only)
MAP_DPHY_DEST_0	1:0	CSI2 controller destination for MAP_SRC_0 (0x44D) and MAP_DST_0 (0x44E) mapping bitfields	0b00: Map to DPHY0 (4x2 mode only) 0b01: Map to DPHY1 0b10: Map to DPHY2 0b11: Map to DPHY3 (4x2 mode only)

[MIPI_TX46 \(0x46E\)](#)

BIT	7	6	5	4	3	2	1	0
Field	MAP_DPHY_DEST_7[1:0]		MAP_DPHY_DEST_6[1:0]		MAP_DPHY_DEST_5[1:0]		MAP_DPHY_DEST_4[1:0]	
Reset	0b00		0b00		0b00		0b00	
Access Type	Write, Read		Write, Read		Write, Read		Write, Read	

BITFIELD	BITS	DESCRIPTION	DECODE
MAP_DPHY_DEST_7	7:6	CSI2 controller destination for MAP_SRC_7 (0x45B) and MAP_DST_0 (0x44E) mapping bitfields	0b00: Map to DPHY0 (4x2 mode only) 0b01: Map to DPHY1 0b10: Map to DPHY2 0b11: Map to DPHY3 (4x2 mode only)
MAP_DPHY_DEST_6	5:4	CSI2 controller destination for MAP_SRC_6 (0x459) and MAP_DST_0 (0x44E) mapping bitfields	0b00: Map to DPHY0 (4x2 mode only) 0b01: Map to DPHY1 0b10: Map to DPHY2 0b11: Map to DPHY3 (4x2 mode only)
MAP_DPHY_DEST_5	3:2	CSI2 controller destination for MAP_SRC_5 (0x457) and MAP_DST_0 (0x44E) mapping bitfields	0b00: Map to DPHY0 (4x2 mode only) 0b01: Map to DPHY1 0b10: Map to DPHY2 0b11: Map to DPHY3 (4x2 mode only)
MAP_DPHY_DEST_4	1:0	CSI2 controller destination for MAP_SRC_4 (0x455) and MAP_DST_0 (0x44E) mapping bitfields	0b00: Map to DPHY0 (4x2 mode only) 0b01: Map to DPHY1 0b10: Map to DPHY2 0b11: Map to DPHY3 (4x2 mode only)

[MIPI_TX47 \(0x46F\)](#)

BIT	7	6	5	4	3	2	1	0
Field	MAP_DPHY_DEST_11[1:0]		MAP_DPHY_DEST_10[1:0]		MAP_DPHY_DEST_9[1:0]		MAP_DPHY_DEST_8[1:0]	
Reset	0b00		0b00		0b00		0b00	
Access Type	Write, Read		Write, Read		Write, Read		Write, Read	

BITFIELD	BITS	DESCRIPTION	DECODE
MAP_DPHY_DEST_11	7:6	CSI2 controller destination for MAP_SRC_11 (0x463) and MAP_DST_0 (0x44E) mapping bitfields	0b00: Map to DPHY0 (4x2 mode only) 0b01: Map to DPHY1 0b10: Map to DPHY2 0b11: Map to DPHY3 (4x2 mode only)
MAP_DPHY_DEST_10	5:4	CSI2 controller destination for MAP_SRC_10 (0x461) and MAP_DST_0 (0x44E) mapping bitfields	0b00: Map to DPHY0 (4x2 mode only) 0b01: Map to DPHY1 0b10: Map to DPHY2 0b11: Map to DPHY3 (4x2 mode only)
MAP_DPHY_DEST_9	3:2	CSI2 controller destination for MAP_SRC_9 (0x45F) and MAP_DST_0 (0x44E) mapping bitfields	0b00: Map to DPHY0 (4x2 mode only) 0b01: Map to DPHY1 0b10: Map to DPHY2 0b11: Map to DPHY3 (4x2 mode only)
MAP_DPHY_DEST_8	1:0	CSI2 controller destination for MAP_SRC_8 (0x45D) and MAP_DST_0 (0x44E) mapping bitfields	0b00: Map to DPHY0 (4x2 mode only) 0b01: Map to DPHY1 0b10: Map to DPHY2 0b11: Map to DPHY3 (4x2 mode only)

[MIPI_TX48 \(0x470\)](#)

BIT	7	6	5	4	3	2	1	0
Field	MAP_DPHY_DEST_15[1:0]		MAP_DPHY_DEST_14[1:0]		MAP_DPHY_DEST_13[1:0]		MAP_DPHY_DEST_12[1:0]	
Reset	0b00		0b00		0b00		0b00	
Access Type	Write, Read		Write, Read		Write, Read		Write, Read	

BITFIELD	BITS	DESCRIPTION	DECODE
MAP_DPHY_DEST_15	7:6	CSI2 controller destination for MAP_SRC_15 (0x46B) and MAP_DST_0 (0x44E) mapping bitfields	0b00: Map to DPHY0 (4x2 mode only) 0b01: Map to DPHY1 0b10: Map to DPHY2 0b11: Map to DPHY3 (4x2 mode only)
MAP_DPHY_DEST_14	5:4	CSI2 controller destination for MAP_SRC_14 (0x469) and MAP_DST_0 (0x44E) mapping bitfields	0b00: Map to DPHY0 (4x2 mode only) 0b01: Map to DPHY1 0b10: Map to DPHY2 0b11: Map to DPHY3 (4x2 mode only)
MAP_DPHY_DEST_13	3:2	CSI2 controller destination for MAP_SRC_13 (0x467) and MAP_DST_0 (0x44E) mapping bitfields	0b00: Map to DPHY0 (4x2 mode only) 0b01: Map to DPHY1 0b10: Map to DPHY2 0b11: Map to DPHY3 (4x2 mode only)
MAP_DPHY_DEST_12	1:0	CSI2 controller destination for MAP_SRC_12 (0x465) and MAP_DST_0 (0x44E) mapping bitfields	0b00: Map to DPHY0 (4x2 mode only) 0b01: Map to DPHY1 0b10: Map to DPHY2 0b11: Map to DPHY3 (4x2 mode only)

MIPI_TX50 (0x472)

BIT	7	6	5	4	3	2	1	0
Field	SKEW_PER_SEL[7:0]							
Reset	0x00							
Access Type	Write, Read							

BITFIELD	BITS	DESCRIPTION	DECODE
SKEW_PER_SEL	7:0	<p>Periodic Deskew Select Register</p> <p>The register is split into three decode segments: bit[7] Select periodic deskew calibration for one or all virtual channels bits[6:5] Reserved bits[4:0] Virtual channel to generate periodic deskew calibration when only one channel is selected by bit 7</p>	0b0XXXXXXX: Generate periodic calibration deskew calibration on all Virtual Channels 0b1XXX0000: Periodic deskew calibration generated by Virtual Channel 0 0b1XXX0001: Periodic deskew calibration generated by Virtual Channel 1 0b1XXX0010: Periodic deskew calibration generated by Virtual Channel 2 0b1XXX0011: Periodic deskew calibration generated by Virtual Channel 3 0b1XXX0100: Periodic deskew calibration generated by Virtual Channel 4 0b1XXX0101: Periodic deskew calibration generated by Virtual Channel 5 0b1XXX0110: Periodic deskew calibration generated by Virtual Channel 6 0b1XXX0111: Periodic deskew calibration generated by Virtual Channel 7 0b1XXX1000: Periodic deskew calibration generated by Virtual Channel 8 0b1XXX1001: Periodic deskew calibration generated by Virtual Channel 9 0b1XXX1010: Periodic deskew calibration generated by Virtual Channel 10 0b1XXX1011: Periodic deskew calibration generated by Virtual Channel 11 0b1XXX1100: Periodic deskew calibration generated by Virtual Channel 12 0b1XXX1101: Periodic deskew calibration generated by Virtual Channel 13 0b1XXX1110: Periodic deskew calibration generated by Virtual Channel 14 0b1XXX1111: Periodic deskew calibration generated by Virtual Channel 15

MIPI_TX51 (0x473)

BIT	7	6	5	4	3	2	1	0
Field	TUN_WAIT_VS_START[2:0]			ALT2_MEM_MAP8	MODE_DT	ALT_MEM_MAP10	ALT_MEM_MAP8	ALT_MEM_MAP12
Reset	0x0			0b0	0b0	0b0	0b0	0b0
Access Type	Write, Read			Write, Read	Write, Read	Write, Read	Write, Read	Write, Read

BITFIELD	BITS	DESCRIPTION	DECODE
TUN_WAIT_VS_START	7:5	Number of VS frames to wait before sending MIPI packet Tunneling mode only.	0x0: No wait Others: Number of frames to wait
ALT2_MEM_MAP8	4	Alternative memory map enable for 8-bit DT. When set to 1, expects received video data to be packed into 24-bit in an alternative way by the serializer.	0b0: Alternate memory map disabled 0b1: Alternate memory map enabled
MODE_DT	3	MIPI Tx enable 24-bit packing of 8-bit MIPI UDP	0b0: Disabled 0b1: Enabled
ALT_MEM_MAP10	2	Alternative memory map enable for 10-bit DT (expect alternative bit packing by serializer)	0b0: Alternate memory map disabled 0b1: Alternate memory map enabled
ALT_MEM_MAP8	1	Alternative memory map enable for 8-bit DT (expect alternative bit packing by serializer)	0b0: Alternate memory map disabled 0b1: Alternate memory map enabled
ALT_MEM_MAP12	0	Alternative memory map enable for 12-bit DT (expect alternative bit packing by serializer)	0b0: Alternate memory map disabled 0b1: Alternate memory map enabled

MIPI_TX52 (0x474)

BIT	7	6	5	4	3	2	1	0
Field	TUN_NO_C ORR	DESKEW_TUN[1:0]		TUN_SER_LANE_NUM[1: 0]		DESKEW_T UN_SRC	TUN_DEST	TUN_EN
Reset	0b0	0x0		0x1		0b0	0b0	0b0
Access Type	Write, Read	Write, Read		Write, Read		Write, Read	Write, Read	Write, Read

BITFIELD	BITS	DESCRIPTION	DECODE
TUN_NO_C ORR	7	Do not enable header error correction in tunneling mode	0b0: Tunneling error correction enabled 0b1: Tunneling error correction disabled
DESKEW_T UN	6:5	Deskew Mode for CSI2 Tunneling	0b00: Periodic deskew using deserializer DESKEW_PER register 0b01: Periodic deskew follows what Serializer receives with small offset adjustment by DESKEW_TUN_OFFSET. 0b10: Periodic deskew occurrence follows Serializer but width determined by register DESKEW_PER 0b11: Reserved
TUN_SER_L ANE_NUM	4:3	Number of lanes in the serializer. Applies to CSI2 tunneling mode only, and CPHY mode only.	0b00: One data lane 0b01: Two data lanes 0b10: Three data lanes 0b11: Four data lanes
DESKEW_T UN_SRC	2	Tunneling Deskew Source Select	0b0: Pipe Y 0b1: Pipe Z
TUN_DEST	1	Tunneling Pipe Destination	0b0: MIPI PHY 1 0b1: MIPI PHY 2
TUN_EN	0	Tunneling Enable The CFG pin sets this value initially, and further register writes to this register changes the value.	0b0: Tunneling disabled 0b1: Tunneling enabled

MIPI_TX53 (0x475)

BIT	7	6	5	4	3	2	1	0
Field	DESKEW_TUN_OFFSET[7:0]							
Reset	0x0							
Access Type	Write, Read							
BITFIELD	BITS	DESCRIPTION			DECODE			
DESKEW_TUN_OFFSET	7:0	Tunneling Deskew Width Offset			Used for DESKEW_TUN=1 case: increase this number of BCLK (8UI) to the detected deskew pulse width.			

MIPI_TX54 (0x476)

BIT	7	6	5	4	3	2	1	0
Field	TUN_PKT_START_ADDR[7:0]							
Reset	0x0							
Access Type	Write, Read							
BITFIELD	BITS	DESCRIPTION			DECODE			
TUN_PKT_START_ADDR	7:0	<p>Specifies the start address of the long packet in Tunneling mode.</p> <p>When 0, the long packet is sent out when the whole line is filled in the line memory. When not 0, the long packet begins when TUN_PKT_START_ADDR x 32 bytes are filled in the line memory.</p>			0xXX: Value x 32 bytes filled in memory is when long packet starts			

MIPI_TX55 (0x477)

BIT	7	6	5	4	3	2	1	0
Field	-	-	-	-	-	-	-	TUN_NO_CORR_LENGTH
Reset	-	-	-	-	-	-	-	0b0
Access Type	-	-	-	-	-	-	-	Write, Read
BITFIELD	BITS	DESCRIPTION			DECODE			
TUN_NO_CORR_LENGTH	0	Do not enable header error packet length correction in Tunneling mode.			0b0: Tunneling error correction enabled 0b1: Tunneling error correction disabled			

[MIPI_TX1 \(0x481\)](#)

BIT	7	6	5	4	3	2	1	0
Field	MODE[7:0]							
Reset	0x00							
Access Type	Write, Read							

BITFIELD	BITS	DESCRIPTION	DECODE
MODE	7:0	MIPI Tx Mode	0bXXXXXXXX0: Disable MIPI VS short packet counter 0bXXXXXXXX1: Enable MIPI VS short packet counter

[MIPI_TX2 \(0x482\)](#)

BIT	7	6	5	4	3	2	1	0
Field	STATUS[7:0]							
Reset	0x00							
Access Type	Read Only							

BITFIELD	BITS	DESCRIPTION	DECODE
STATUS	7:0	<p>MIPI Tx Status</p> <p>The register is split into decode segments:</p> <p>bit[0] SYNC mode enable. bit[1] Video sync flag bit[2] Loss of video sync flag bit[3] Tunneling mode: DPHY ECC or CPHY header CRC error (correctable) bit[4] Tunneling mode: DPHY ECC or CPHY header CRC error (uncorrectable) bit[5] Tunneling mode: DPHY/CPHY data CRC error</p>	<p>0bXXXXXXXX0: SYNC mode disabled 0bXXXXXXXX1: SYNC mode enabled 0bXXXXXXXX0X: Video channels not in-sync 0bXXXXXXXX1X: Video channels in-sync 0bXXXXX0XX: No loss of video sync 0bXXXXX1XX: Video sync lost after last read of this register or RESET. 0bXXXX0XXX: No tunneling ECC correctable error 0bXXXX1XXX: Tunneling ECC correctable error after last read of this register or RESET. 0bXXX0XXXX: No tunneling ECC uncorrectable error 0bXXX1XXXX: Tunneling ECC uncorrectable error after last read of this register or RESET. 0bXX0XXXXX: No tunneling data CRC error 0bXX1XXXXX: Tunneling data CRC error after last read of this register or RESET.</p>

[MIPI_TX3 \(0x483\)](#)

BIT	7	6	5	4	3	2	1	0
Field	DESKEW_INIT[7:0]							
Reset	0x01							
Access Type	Write, Read							

BITFIELD	BITS	DESCRIPTION	DECODE
DESKEW_INIT	7:0	<p>DPHY Deskew Initial Calibration Control</p> <p>The register is split into six decode segments: bit[7] Selects auto-initial deskew calibration on or off bit[6] Reserved bit[5] Any bit change initiates an initial calibration if bit 4 =1 bit[4] Selects manual initial on or off bit[3] Reserved bits[2:0] Selects initial deskew width</p>	<p>0bXXXXX000: Reserved 0bXXXXX001: Initial deskew width = 2 x 32k UI - (t_{lpx}+t_{hs_przero})[UI] - 16 UI 0bXXXXX010: Initial deskew width = 3 x 32k UI - (t_{lpx}+t_{hs_przero})[UI] - 16 UI 0bXXXXX011: Initial deskew width = 4 x 32k UI - (t_{lpx}+t_{hs_przero})[UI] - 16 UI 0bXXXXX100: Initial deskew width = 5 x 32k UI - (t_{lpx}+t_{hs_przero})[UI] - 16 UI 0bXXXXX101: Initial deskew width = 6 x 32k UI - (t_{lpx}+t_{hs_przero})[UI] - 16 UI 0bXXXXX110: Initial deskew width = 7 x 32k UI - (t_{lpx}+t_{hs_przero})[UI] - 16 UI 0bXXXXX111: Initial deskew width = 8 x 32k UI - (t_{lpx}+t_{hs_przero})[UI] - 16 UI 0bXXX0XXX: Reserved 0bXXX1XXX: Reserved 0bXX0XXXX: Manual initial off 0bXX1XXXX: Manual initial on 0bX0XXXXX: If bit 4 = 1, triggers one-time immediate initial skew calibration 0bX1XXXXX: If bit 4 = 1, triggers one-time immediate initial skew calibration 0b0XXXXXX: Reserved 0b1XXXXXX: Reserved 0b0XXXXXX: Auto initial deskew off 0b1XXXXXX: Auto initial deskew on</p>

MIPI_TX4 (0x484)

BIT	7	6	5	4	3	2	1	0
Field	DESKEW_PER[7:0]							
Reset	0x01							
Access Type	Write, Read							

BITFIELD	BITS	DESCRIPTION	DECODE
DESKEW_P ER	7:0	<p>DPHY Periodic Deskew Calibration Control</p> <p>The register is split into four decode segments:</p> <p>bit[7] Selects periodic deskew calibration on or off</p> <p>bit[6] Selects generation on rising or falling edge of VS</p> <p>bits[5:3] Selects periodic interval</p> <p>bits[2:0] Selects periodic deskew width</p>	<p>0bXXXXX000: Reserved</p> <p>0bXXXXX001: Periodic deskew width = 2k UI - (t_{lpx}+t_{hs_przero})[UI] - 16 UI</p> <p>0bXXXXX010: Periodic deskew width = 3k UI - (t_{lpx}+t_{hs_przero})[UI] - 16 UI</p> <p>0bXXXXX011: Periodic deskew width = 4k UI - (t_{lpx}+t_{hs_przero})[UI] - 16 UI</p> <p>0bXXXXX100: Periodic deskew width = 5k UI - (t_{lpx}+t_{hs_przero})[UI] - 16 UI</p> <p>0bXXXXX101: Periodic deskew width = 6k UI - (t_{lpx}+t_{hs_przero})[UI] - 16 UI</p> <p>0bXXXXX110: Periodic deskew width = 7k UI - (t_{lpx}+t_{hs_przero})[UI] - 16 UI</p> <p>0bXXXXX111: Periodic deskew width = 8k UI - (t_{lpx}+t_{hs_przero})[UI] - 16 UI</p> <p>0bXX000XXX: Periodic deskew calibration generated every frame</p> <p>0bXX001XXX: Periodic deskew calibration generated every 2 frames</p> <p>0bXX010XXX: Periodic deskew calibration generated every 4 frames</p> <p>0bXX011XXX: Periodic deskew calibration generated every 8 frames</p> <p>0bXX100XXX: Periodic deskew calibration generated every 16 frames</p> <p>0bXX101XXX: Periodic deskew calibration generated every 32 frames</p> <p>0bXX110XXX: Periodic deskew calibration generated every 64 frames</p> <p>0bXX111XXX: Periodic deskew calibration generated every 128 frames</p> <p>0bX0XXXXXX: Periodic deskew calibration generated at rising edge of VS</p> <p>0bX1XXXXXX: Periodic deskew calibration generated at falling edge of VS</p> <p>0b0XXXXXXX: Periodic deskew calibration off</p> <p>0b1XXXXXXX: Periodic deskew calibration on</p>

MIPI_TX7 (0x487)

BIT	7	6	5	4	3	2	1	0
Field	CSI2_TX_GAP[7:0]							
Reset	0x1C							
Access Type	Write, Read							
BITFIELD	BITS	DESCRIPTION	DECODE					
CSI2_TX_GA P	7:0	Number of MIPI byte clocks to wait after the HS clock has entered LP before enabling it again for the next transmission.	0xXX: Number of MIPI byte clocks					

MIPI_TX10 (0x48A)

BIT	7	6	5	4	3	2	1	0
Field	CSI2_LANE_CNT[1:0]		CSI2_CPHY_EN	RSVD	CSI_VCX_EN	RSVD[2:0]		
Reset	0b11		0b0	0b1	0b0	0b000		
Access Type	Write, Read		Write, Read		Write, Read			

BITFIELD	BITS	DESCRIPTION	DECODE
CSI2_LANE_CNT	7:6	Set number of MIPI data lanes	0b00: One data lane 0b01: Two data lanes 0b10: Three data lanes 0b11: Four data lanes
CSI2_CPHY_EN	5	Enable CPHY	0b0: CPHY disabled 0b1: CPHY enabled
CSI_VCX_EN	3	Enable VC Extension	0b0: Disable VC extension 0x1: Enable VC extension

MIPI_TX11 (0x48B)

BIT	7	6	5	4	3	2	1	0
Field	MAP_EN_L[7:0]							
Reset	0x00							
Access Type	Write, Read							

BITFIELD	BITS	DESCRIPTION	DECODE
MAP_EN_L	7:0	<p>Mapping Enable Low Byte [7:0]</p> <p>Each bit enables one of eight mapping and distribution entries (defined in MAP_SRC_x, MAP_DST_x, and MAP_DPHY_DST_x) for the current video stream.</p> <p>Non-matched virtual channel (VC) and data types (DT) pass to the corresponding CSI2 controller.</p> <p>In video pixel mode, this is use to change any VC, DT, CSI2 controller destination.</p>	<p>0xX1: Enable MAP_SRC_0 (0x48D) and MAP_DST_0 (0x48E) bitfields</p> <p>0xX2: Enable MAP_SRC_1 (0x48F) and MAP_DST_1 (0x490) bitfields</p> <p>0xX4: Enable MAP_SRC_2 (0x491) and MAP_DST_2 (0x492) bitfields</p> <p>0xX8: Enable MAP_SRC_3 (0x493) and MAP_DST_3 (0x494) bitfields</p> <p>0x1X: Enable MAP_SRC_4 (0x495) and MAP_DST_4 (0x496) bitfields</p> <p>0x2X: Enable MAP_SRC_5 (0x497) and MAP_DST_5 (0x498) bitfields</p> <p>0x4X: Enable MAP_SRC_6 and (0x499) and MAX_DST_6 (0x49A) bitfields</p> <p>0x8X: Enable MAP_SRC_7 (0x49B) and MAP_DST_7 (0x49C) bitfields</p>

MIPI_TX12 (0x48C)

BIT	7	6	5	4	3	2	1	0
Field	MAP_EN_H[7:0]							
Reset	0x00							
Access Type	Write, Read							

BITFIELD	BITS	DESCRIPTION	DECODE
MAP_EN_H	7:0	<p>Mapping Enable High Byte [15:8]</p> <p>Each bit enables one of eight mapping and distribution entries (defined in MAP_SRC_x, MAP_DST_x, and MAP_DPHY_DST_x) for the current video stream.</p> <p>Non-matched virtual channel (VC) and data types (DT) pass to the corresponding CSI2 controller.</p> <p>In video pixel mode, this is use to change any VC, DT, CSI2 controller destination.</p>	<p>0xX1: Enable MAP_SRC_8 (0x49D) and MAP_DST_8 (0x49E) bitfields</p> <p>0xX2: Enable MAP_SRC_9 (0x49F) and MAP_DST_9 (0x4A0) bitfields</p> <p>0xX4: Enable MAP_SRC_10 (0x4A1) and MAP_DST_10 (0x4A2) bitfields</p> <p>0xX8: Enable MAP_SRC_11 (0x4A3) and MAP_DST_11 (0x4A4) bitfields</p> <p>0x1X: Enable MAP_SRC_12 (0x4A5) and MAP_DST_12 (0x4A6) bitfields</p> <p>0x2X: Enable MAP_SRC_13 (0x4A7) and MAP_DST_13 (0x4A8) bitfields</p> <p>0x4X: Enable MAP_SRC_14 (0x4A9) and MAP_DST_14 (0x4AA) bitfields</p> <p>0x8X: Enable MAP_SRC_15 (0x4AB) and MAP_DST_15 (x4AC) bitfields</p>

MIPI_TX13 (0x48D)

BIT	7	6	5	4	3	2	1	0
Field	MAP_SRC_0[7:0]							
Reset	0x00							
Access Type	Write, Read							

BITFIELD	BITS	DESCRIPTION	DECODE
MAP_SRC_0	7:0	<p>Mapping Source Register 0</p> <p>The register is split into two decode segments: bits[7:6] VC - Virtual channel bits[5:0] DT - Data type</p>	0xXX: VC and DT source for map 0

MIPI_TX14 (0x48E)

BIT	7	6	5	4	3	2	1	0
Field	MAP_DST_0[7:0]							
Reset	0x00							
Access Type	Write, Read							

BITFIELD	BITS	DESCRIPTION	DECODE
MAP_DST_0	7:0	<p>Mapping Destination Register 0</p> <p>The register is split into two decode segments: bits[7:6] VC - Virtual channel bits[5:0] DT - Data type</p>	0xXX: VC and DT destination for map 0

[MIPI_TX15 \(0x48F\)](#)

BIT	7	6	5	4	3	2	1	0
Field	MAP_SRC_1[7:0]							
Reset	0x00							
Access Type	Write, Read							

BITFIELD	BITS	DESCRIPTION	DECODE
MAP_SRC_1	7:0	Mapping Source Register 1 The register is split into two decode segments: bits[7:6] VC - Virtual channel bits[5:0] DT - Data type	0xXX: VC and DT source for map 1

[MIPI_TX16 \(0x490\)](#)

BIT	7	6	5	4	3	2	1	0
Field	MAP_DST_1[7:0]							
Reset	0x00							
Access Type	Write, Read							

BITFIELD	BITS	DESCRIPTION	DECODE
MAP_DST_1	7:0	Mapping Destination Register 1 The register is split into two decode segments: bits[7:6] VC - Virtual channel bits[5:0] DT - Data type	0xXX: VC and DT destination for map 1

[MIPI_TX17 \(0x491\)](#)

BIT	7	6	5	4	3	2	1	0
Field	MAP_SRC_2[7:0]							
Reset	0x00							
Access Type	Write, Read							

BITFIELD	BITS	DESCRIPTION	DECODE
MAP_SRC_2	7:0	Mapping Source Register 2 The register is split into two decode segments: bits[7:6] VC - Virtual channel bits[5:0] DT - Data type	0xXX: VC and DT source for map 2

[MIPI_TX18 \(0x492\)](#)

BIT	7	6	5	4	3	2	1	0
Field	MAP_DST_2[7:0]							
Reset	0x00							
Access Type	Write, Read							

BITFIELD	BITS	DESCRIPTION	DECODE
MAP_DST_2	7:0	Mapping Destination Register 2 The register is split into two decode segments: bits[7:6] VC - Virtual channel bits[5:0] DT - Data type	0xXX: VC and DT destination for map 2

[MIPI_TX19 \(0x493\)](#)

BIT	7	6	5	4	3	2	1	0
Field	MAP_SRC_3[7:0]							
Reset	0x00							
Access Type	Write, Read							

BITFIELD	BITS	DESCRIPTION	DECODE
MAP_SRC_3	7:0	Mapping Source Register 3 The register is split into two decode segments: bits[7:6] VC - Virtual channel bits[5:0] DT - Data type	0xXX: VC and DT source for map 3

[MIPI_TX20 \(0x494\)](#)

BIT	7	6	5	4	3	2	1	0
Field	MAP_DST_3[7:0]							
Reset	0x00							
Access Type	Write, Read							

BITFIELD	BITS	DESCRIPTION	DECODE
MAP_DST_3	7:0	Mapping Destination Register 3 The register is split into two decode segments: bits[7:6] VC - Virtual channel bits[5:0] DT - Data type	0xXX: VC and DT destination for map 3

MIPI_TX21 (0x495)

BIT	7	6	5	4	3	2	1	0
Field	MAP_SRC_4[7:0]							
Reset	0x00							
Access Type	Write, Read							

BITFIELD	BITS	DESCRIPTION	DECODE
MAP_SRC_4	7:0	Mapping Source Register 4 The register is split into two decode segments: bits[7:6] VC - Virtual channel bits[5:0] DT - Data type	0xXX: VC and DT source for map 4

MIPI_TX22 (0x496)

BIT	7	6	5	4	3	2	1	0
Field	MAP_DST_4[7:0]							
Reset	0x00							
Access Type	Write, Read							

BITFIELD	BITS	DESCRIPTION	DECODE
MAP_DST_4	7:0	Mapping Destination Register 4 The register is split into two decode segments: bits[7:6] VC - Virtual channel bits[5:0] DT - Data type	0xXX: VC and DT destination for map 4

MIPI_TX23 (0x497)

BIT	7	6	5	4	3	2	1	0
Field	MAP_SRC_5[7:0]							
Reset	0x00							
Access Type	Write, Read							

BITFIELD	BITS	DESCRIPTION	DECODE
MAP_SRC_5	7:0	Mapping Source Register 5 The register is split into two decode segments: bits[7:6] VC - Virtual channel bits[5:0] DT - Data type	0xXX: VC and DT source for map 5

[MIPI_TX24 \(0x498\)](#)

BIT	7	6	5	4	3	2	1	0
Field	MAP_DST_5[7:0]							
Reset	0x00							
Access Type	Write, Read							

BITFIELD	BITS	DESCRIPTION	DECODE
MAP_DST_5	7:0	Mapping Destination Register 5 The register is split into two decode segments: bits[7:6] VC - Virtual channel bits[5:0] DT - Data type	0xXX: VC and DT destination for map 5

[MIPI_TX25 \(0x499\)](#)

BIT	7	6	5	4	3	2	1	0
Field	MAP_SRC_6[7:0]							
Reset	0x00							
Access Type	Write, Read							

BITFIELD	BITS	DESCRIPTION	DECODE
MAP_SRC_6	7:0	Mapping Source Register 6 The register is split into two decode segments: bits[7:6] VC - Virtual channel bits[5:0] DT - Data type	0xXX: VC and DT source for map 6

[MIPI_TX26 \(0x49A\)](#)

BIT	7	6	5	4	3	2	1	0
Field	MAP_DST_6[7:0]							
Reset	0x00							
Access Type	Write, Read							

BITFIELD	BITS	DESCRIPTION	DECODE
MAP_DST_6	7:0	Mapping Destination Register 6 The register is split into two decode segments: bits[7:6] VC - Virtual channel bits[5:0] DT - Data type	0xXX: VC and DT destination for map 6

[MIPI_TX27 \(0x49B\)](#)

BIT	7	6	5	4	3	2	1	0
Field	MAP_SRC_7[7:0]							
Reset	0x00							
Access Type	Write, Read							

BITFIELD	BITS	DESCRIPTION	DECODE
MAP_SRC_7	7:0	Mapping Source Register 7 The register is split into two decode segments: bits[7:6] VC - Virtual channel bits[5:0] DT - Data type	0xXX: VC and DT source for map 7

[MIPI_TX28 \(0x49C\)](#)

BIT	7	6	5	4	3	2	1	0
Field	MAP_DST_7[7:0]							
Reset	0x00							
Access Type	Write, Read							

BITFIELD	BITS	DESCRIPTION	DECODE
MAP_DST_7	7:0	Mapping Destination Register 7 The register is split into two decode segments: bits[7:6] VC - Virtual channel bits[5:0] DT - Data type	0xXX: VC and DT destination for map 7

[MIPI_TX29 \(0x49D\)](#)

BIT	7	6	5	4	3	2	1	0
Field	MAP_SRC_8[7:0]							
Reset	0x00							
Access Type	Write, Read							

BITFIELD	BITS	DESCRIPTION	DECODE
MAP_SRC_8	7:0	Mapping Source Register 8 The register is split into two decode segments: bits[7:6] VC - Virtual channel bits[5:0] DT - Data type	0xXX: VC and DT source for map 8

[MIPI_TX30 \(0x49E\)](#)

BIT	7	6	5	4	3	2	1	0
Field	MAP_DST_8[7:0]							
Reset	0x00							
Access Type	Write, Read							

BITFIELD	BITS	DESCRIPTION	DECODE
MAP_DST_8	7:0	Mapping Destination Register 8 The register is split into two decode segments: bits[7:6] VC - Virtual channel bits[5:0] DT - Data type	0xXX: VC and DT destination for map 8

[MIPI_TX31 \(0x49F\)](#)

BIT	7	6	5	4	3	2	1	0
Field	MAP_SRC_9[7:0]							
Reset	0x00							
Access Type	Write, Read							

BITFIELD	BITS	DESCRIPTION	DECODE
MAP_SRC_9	7:0	Mapping Source Register 9 The register is split into two decode segments: bits[7:6] VC - Virtual channel bits[5:0] DT - Data type	0xXX: VC and DT source for map 9

[MIPI_TX32 \(0x4A0\)](#)

BIT	7	6	5	4	3	2	1	0
Field	MAP_DST_9[7:0]							
Reset	0x00							
Access Type	Write, Read							

BITFIELD	BITS	DESCRIPTION	DECODE
MAP_DST_9	7:0	Mapping Destination Register 9 The register is split into two decode segments: bits[7:6] VC - Virtual channel bits[5:0] DT - Data type	0xXX: VC and DT destination for map 9

[MIPI_TX33 \(0x4A1\)](#)

BIT	7	6	5	4	3	2	1	0
Field	MAP_SRC_10[7:0]							
Reset	0x00							
Access Type	Write, Read							

BITFIELD	BITS	DESCRIPTION	DECODE
MAP_SRC_10	7:0	Mapping Source Register 10 The register is split into two decode segments: bits[7:6] VC - Virtual channel bits[5:0] DT - Data type	0xXX: VC and DT source for map 10

[MIPI_TX34 \(0x4A2\)](#)

BIT	7	6	5	4	3	2	1	0
Field	MAP_DST_10[7:0]							
Reset	0x00							
Access Type	Write, Read							

BITFIELD	BITS	DESCRIPTION	DECODE
MAP_DST_10	7:0	Mapping Destination Register 10 The register is split into two decode segments: bits[7:6] VC - Virtual channel bits[5:0] DT - Data type	0xXX: VC and DT destination for map 10

[MIPI_TX35 \(0x4A3\)](#)

BIT	7	6	5	4	3	2	1	0
Field	MAP_SRC_11[7:0]							
Reset	0x00							
Access Type	Write, Read							

BITFIELD	BITS	DESCRIPTION	DECODE
MAP_SRC_11	7:0	Mapping Source Register 11 The register is split into two decode segments: bits[7:6] VC - Virtual channel bits[5:0] DT - Data type	0xXX: VC and DT source for map 11

[MIPI_TX36 \(0x4A4\)](#)

BIT	7	6	5	4	3	2	1	0
Field	MAP_DST_11[7:0]							
Reset	0x00							
Access Type	Write, Read							

BITFIELD	BITS	DESCRIPTION	DECODE
MAP_DST_1 1	7:0	Mapping Destination Register 11 The register is split into two decode segments: bits[7:6] VC - Virtual channel bits[5:0] DT - Data type	0xXX: VC and DT destination for map 11

[MIPI_TX37 \(0x4A5\)](#)

BIT	7	6	5	4	3	2	1	0
Field	MAP_SRC_12[7:0]							
Reset	0x00							
Access Type	Write, Read							

BITFIELD	BITS	DESCRIPTION	DECODE
MAP_SRC_1 2	7:0	Mapping Source Register 12 The register is split into two decode segments: bits[7:6] VC - Virtual channel bits[5:0] DT - Data type	0xXX: VC and DT source for map 12

[MIPI_TX38 \(0x4A6\)](#)

BIT	7	6	5	4	3	2	1	0
Field	MAP_DST_12[7:0]							
Reset	0x00							
Access Type	Write, Read							

BITFIELD	BITS	DESCRIPTION	DECODE
MAP_DST_1 2	7:0	Mapping Destination Register 12 The register is split into two decode segments: bits[7:6] VC - Virtual channel bits[5:0] DT - Data type	0xXX: VC and DT destination for map 12

[MIPI_TX39 \(0x4A7\)](#)

BIT	7	6	5	4	3	2	1	0
Field	MAP_SRC_13[7:0]							
Reset	0x00							
Access Type	Write, Read							

BITFIELD	BITS	DESCRIPTION	DECODE
MAP_SRC_13	7:0	Mapping Source Register 13 The register is split into two decode segments: bits[7:6] VC - Virtual channel bits[5:0] DT - Data type	0xXX: VC and DT source for map 13

[MIPI_TX40 \(0x4A8\)](#)

BIT	7	6	5	4	3	2	1	0
Field	MAP_DST_13[7:0]							
Reset	0x00							
Access Type	Write, Read							

BITFIELD	BITS	DESCRIPTION	DECODE
MAP_DST_13	7:0	Mapping Destination Register 13 The register is split into two decode segments: bits[7:6] VC - Virtual channel bits[5:0] DT - Data type	0xXX: VC and DT destination for map 13

[MIPI_TX41 \(0x4A9\)](#)

BIT	7	6	5	4	3	2	1	0
Field	MAP_SRC_14[7:0]							
Reset	0x00							
Access Type	Write, Read							

BITFIELD	BITS	DESCRIPTION	DECODE
MAP_SRC_14	7:0	Mapping Source Register 14 The register is split into two decode segments: bits[7:6] VC - Virtual channel bits[5:0] DT - Data type	0xXX: VC and DT source for map 14

[MIPI_TX42 \(0x4AA\)](#)

BIT	7	6	5	4	3	2	1	0
Field	MAP_DST_14[7:0]							
Reset	0x00							
Access Type	Write, Read							

BITFIELD	BITS	DESCRIPTION	DECODE
MAP_DST_14	7:0	Mapping Destination Register 14 The register is split into two decode segments: bits[7:6] VC - Virtual channel bits[5:0] DT - Data type	0xXX: VC and DT destination for map 14

[MIPI_TX43 \(0x4AB\)](#)

BIT	7	6	5	4	3	2	1	0
Field	MAP_SRC_15[7:0]							
Reset	0x00							
Access Type	Write, Read							

BITFIELD	BITS	DESCRIPTION	DECODE
MAP_SRC_15	7:0	Mapping Source Register 15 The register is split into two decode segments: bits[7:6] VC - Virtual channel bits[5:0] DT - Data type	0xXX: VC and DT source for map 15

[MIPI_TX44 \(0x4AC\)](#)

BIT	7	6	5	4	3	2	1	0
Field	MAP_DST_15[7:0]							
Reset	0x00							
Access Type	Write, Read							

BITFIELD	BITS	DESCRIPTION	DECODE
MAP_DST_15	7:0	Mapping Destination Register 15 The register is split into two decode segments: bits[7:6] VC - Virtual channel bits[5:0] DT - Data type	0xXX: VC and DT destination for map 15

[MIPI_TX45 \(0x4AD\)](#)

BIT	7	6	5	4	3	2	1	0
Field	MAP_DPHY_DEST_3[1:0]		MAP_DPHY_DEST_2[1:0]		MAP_DPHY_DEST_1[1:0]		MAP_DPHY_DEST_0[1:0]	
Reset	0b00		0b00		0b00		0b00	
Access Type	Write, Read		Write, Read		Write, Read		Write, Read	

BITFIELD	BITS	DESCRIPTION	DECODE
MAP_DPHY_DEST_3	7:6	CSI2 controller destination for MAP_SRC_3 (0x493) and MAP_DST_0 (0x48E) mapping bitfields	0b00: Map to DPHY0 (4x2 mode only) 0b01: Map to DPHY1 0b10: Map to DPHY2 0b11: Map to DPHY3 (4x2 mode only)
MAP_DPHY_DEST_2	5:4	CSI2 controller destination for MAP_SRC_2 (0x491) and MAP_DST_0 (0x48E) mapping bitfields	0b00: Map to DPHY0 (4x2 mode only) 0b01: Map to DPHY1 0b10: Map to DPHY2 0b11: Map to DPHY3 (4x2 mode only)
MAP_DPHY_DEST_1	3:2	CSI2 controller destination for MAP_SRC_1 (0x48F) and MAP_DST_0 (0x48E) mapping bitfields	0b00: Map to DPHY0 (4x2 mode only) 0b01: Map to DPHY1 0b10: Map to DPHY2 0b11: Map to DPHY3 (4x2 mode only)
MAP_DPHY_DEST_0	1:0	CSI2 controller destination for MAP_SRC_0 (0x48D) and MAP_DST_0 (0x48E) mapping bitfields	0b00: Map to DPHY0 (4x2 mode only) 0b01: Map to DPHY1 0b10: Map to DPHY2 0b11: Map to DPHY3 (4x2 mode only)

[MIPI_TX46 \(0x4AE\)](#)

BIT	7	6	5	4	3	2	1	0
Field	MAP_DPHY_DEST_7[1:0]		MAP_DPHY_DEST_6[1:0]		MAP_DPHY_DEST_5[1:0]		MAP_DPHY_DEST_4[1:0]	
Reset	0b00		0b00		0b00		0b00	
Access Type	Write, Read		Write, Read		Write, Read		Write, Read	

BITFIELD	BITS	DESCRIPTION	DECODE
MAP_DPHY_DEST_7	7:6	CSI2 controller destination for MAP_SRC_7 (0x49B) and MAP_DST_0 (0x48E) mapping bitfields	0b00: Map to DPHY0 (4x2 mode only) 0b01: Map to DPHY1 0b10: Map to DPHY2 0b11: Map to DPHY3 (4x2 mode only)
MAP_DPHY_DEST_6	5:4	CSI2 controller destination for MAP_SRC_6 (0x499) and MAP_DST_0 (0x48E) mapping bitfields	0b00: Map to DPHY0 (4x2 mode only) 0b01: Map to DPHY1 0b10: Map to DPHY2 0b11: Map to DPHY3 (4x2 mode only)
MAP_DPHY_DEST_5	3:2	CSI2 controller destination for MAP_SRC_5 (0x497) and MAP_DST_0 (0x48E) mapping bitfields	0b00: Map to DPHY0 (4x2 mode only) 0b01: Map to DPHY1 0b10: Map to DPHY2 0b11: Map to DPHY3 (4x2 mode only)
MAP_DPHY_DEST_4	1:0	CSI2 controller destination for MAP_SRC_4 (0x495) and MAP_DST_0 (0x48E) mapping bitfields	0b00: Map to DPHY0 (4x2 mode only) 0b01: Map to DPHY1 0b10: Map to DPHY2 0b11: Map to DPHY3 (4x2 mode only)

MIPI_TX47 (0x4AF)

BIT	7	6	5	4	3	2	1	0
Field	MAP_DPHY_DEST_11[1:0]		MAP_DPHY_DEST_10[1:0]		MAP_DPHY_DEST_9[1:0]		MAP_DPHY_DEST_8[1:0]	
Reset	0b00		0b00		0b00		0b00	
Access Type	Write, Read		Write, Read		Write, Read		Write, Read	

BITFIELD	BITS	DESCRIPTION	DECODE
MAP_DPHY_DEST_11	7:6	CSI2 controller destination for MAP_SRC_11 (0x4A3) and MAP_DST_0 (0x48E) mapping bitfields	0b00: Map to DPHY0 (4x2 mode only) 0b01: Map to DPHY1 0b10: Map to DPHY2 0b11: Map to DPHY3 (4x2 mode only)
MAP_DPHY_DEST_10	5:4	CSI2 controller destination for MAP_SRC_10 (0x4A1) and MAP_DST_0 (0x48E) mapping bitfields	0b00: Map to DPHY0 (4x2 mode only) 0b01: Map to DPHY1 0b10: Map to DPHY2 0b11: Map to DPHY3 (4x2 mode only)
MAP_DPHY_DEST_9	3:2	CSI2 controller destination for MAP_SRC_9 (0x49F) and MAP_DST_0 (0x48E) mapping bitfields	0b00: Map to DPHY0 (4x2 mode only) 0b01: Map to DPHY1 0b10: Map to DPHY2 0b11: Map to DPHY3 (4x2 mode only)
MAP_DPHY_DEST_8	1:0	CSI2 controller destination for MAP_SRC_8 (0x49D) and MAP_DST_0 (0x48E) mapping bitfields	0b00: Map to DPHY0 (4x2 mode only) 0b01: Map to DPHY1 0b10: Map to DPHY2 0b11: Map to DPHY3 (4x2 mode only)

MIPI_TX48 (0x4B0)

BIT	7	6	5	4	3	2	1	0
Field	MAP_DPHY_DEST_15[1:0]		MAP_DPHY_DEST_14[1:0]		MAP_DPHY_DEST_13[1:0]		MAP_DPHY_DEST_12[1:0]	
Reset	0b00		0b00		0b00		0b00	
Access Type	Write, Read		Write, Read		Write, Read		Write, Read	

BITFIELD	BITS	DESCRIPTION	DECODE
MAP_DPHY_DEST_15	7:6	CSI2 controller destination for MAP_SRC_15 (0x4AB) and MAP_DST_0 (0x48E) mapping bitfields	0b00: Map to DPHY0 (4x2 mode only) 0b01: Map to DPHY1 0b10: Map to DPHY2 0b11: Map to DPHY3 (4x2 mode only)
MAP_DPHY_DEST_14	5:4	CSI2 controller destination for MAP_SRC_14 (0x4A9) and MAP_DST_0 (0x48E) mapping bitfields	0b00: Map to DPHY0 (4x2 mode only) 0b01: Map to DPHY1 0b10: Map to DPHY2 0b11: Map to DPHY3 (4x2 mode only)
MAP_DPHY_DEST_13	3:2	CSI2 controller destination for MAP_SRC_13 (0x4A8) and MAP_DST_0 (0x48E) mapping bitfields	0b00: Map to DPHY0 (4x2 mode only) 0b01: Map to DPHY1 0b10: Map to DPHY2 0b11: Map to DPHY3 (4x2 mode only)
MAP_DPHY_DEST_12	1:0	CSI2 controller destination for MAP_SRC_12 (0x4A6) and MAP_DST_0 (0x48E) mapping bitfields	0b00: Map to DPHY0 (4x2 mode only) 0b01: Map to DPHY1 0b10: Map to DPHY2 0b11: Map to DPHY3 (4x2 mode only)

MIPI_TX50 (0x4B2)

BIT	7	6	5	4	3	2	1	0
Field	SKEW_PER_SEL[7:0]							
Reset	0x00							
Access Type	Write, Read							

BITFIELD	BITS	DESCRIPTION	DECODE
SKEW_PER_SEL	7:0	<p>Periodic Deskew Select Register</p> <p>The register is split into three decode segments: bit[7] Select periodic deskew calibration for one or all virtual channels bits[6:5] Reserved bits[4:0] Virtual channel to generate periodic deskew calibration when only one channel is selected by bit 7</p>	0b0XXXXXXX: Generate periodic calibration deskew calibration on all virtual channels 0b1XXX0000: Periodic deskew calibration generated by virtual channel 0 0b1XXX0001: Periodic deskew calibration generated by virtual channel 1 0b1XXX0010: Periodic deskew calibration generated by virtual channel 2 0b1XXX0011: Periodic deskew calibration generated by virtual channel 3 0b1XXX0100: Periodic deskew calibration generated by virtual channel 4 0b1XXX0101: Periodic deskew calibration generated by virtual channel 5 0b1XXX0110: Periodic deskew calibration generated by virtual channel 6 0b1XXX0111: Periodic deskew calibration generated by virtual channel 7 0b1XXX1000: Periodic deskew calibration generated by virtual channel 8 0b1XXX1001: Periodic deskew calibration generated by virtual channel 9 0b1XXX1010: Periodic deskew calibration generated by virtual channel 10 0b1XXX1011: Periodic deskew calibration generated by virtual channel 11 0b1XXX1100: Periodic deskew calibration generated by virtual channel 12 0b1XXX1101: Periodic deskew calibration generated by virtual channel 13 0b1XXX1110: Periodic deskew calibration generated by virtual channel 14 0b1XXX1111: Periodic deskew calibration generated by virtual channel 15

MIPI_TX51 (0x4B3)

BIT	7	6	5	4	3	2	1	0
Field	TUN_WAIT_VS_START[2:0]			ALT2_MEM_MAP8	MODE_DT	ALT_MEM_MAP10	ALT_MEM_MAP8	ALT_MEM_MAP12
Reset	0x0			0b0	0b0	0b0	0b0	0b0
Access Type	Write, Read			Write, Read	Write, Read	Write, Read	Write, Read	Write, Read

BITFIELD	BITS	DESCRIPTION	DECODE
TUN_WAIT_VS_START	7:5	Number of VS frames to wait before sending MIPI packet Tunneling mode only.	0x0: No wait Others: Number of frames to wait
ALT2_MEM_MAP8	4	Alternative memory map enable for 8-bit DT. When set to 1, expects received video data to be packed into 24-bit in an alternative way by the serializer.	0b0: Alternate memory map disabled 0b1: Alternate memory map enabled
MODE_DT	3	MIPI Tx enable 24-bit packing of 8-bit MIPI UDP	0b0: Disabled 0b1: Enabled
ALT_MEM_MAP10	2	Alternative memory map enable for 10-bit DT (expect alternative bit packing by serializer)	0b0: Alternate memory map disabled 0b1: Alternate memory map enabled
ALT_MEM_MAP8	1	Alternative memory map enable for 8-bit DT (expect alternative bit packing by serializer)	0b0: Alternate memory map disabled 0b1: Alternate memory map enabled
ALT_MEM_MAP12	0	Alternative memory map enable for 12-bit DT (expect alternative bit packing by serializer)	0b0: Alternate memory map disabled 0b1: Alternate memory map enabled

MIPI_TX52 (0x4B4)

BIT	7	6	5	4	3	2	1	0
Field	TUN_NO_C ORR	DESKEW_TUN[1:0]		TUN_SER_LANE_NUM[1: 0]		DESKEW_T UN_SRC	TUN_DEST	TUN_EN
Reset	0b0	0x0		0x1		0b1	0b1	0b0
Access Type	Write, Read	Write, Read		Write, Read		Write, Read	Write, Read	Write, Read

BITFIELD	BITS	DESCRIPTION	DECODE
TUN_NO_C ORR	7	Do not enable header error correction in tunneling mode	0b0: Tunneling error correction enabled 0b1: Tunneling error correction disabled
DESKEW_T UN	6:5	Deskew Mode for CSI2 Tunneling	0b00: Periodic deskew using deserializer DESKEW_PER register 0b01: Periodic deskew follows what Serializer receives with small offset adjustment by DESKEW_TUN_OFFSET. 0b10: Periodic deskew occurrence follows Serializer but width determined by register DESKEW_PER 0b11: Reserved
TUN_SER_L ANE_NUM	4:3	Number of lanes in the serializer. Applies to CSI2 tunneling mode only, and CPHY mode only.	0b00: One data lane 0b01: Two data lanes 0b10: Three data lanes 0b11: Four data lanes
DESKEW_T UN_SRC	2	Tunneling Deskew Source Select	0b0: Pipe Y 0b1: Pipe Z
TUN_DEST	1	Tunneling Pipe Destination	0b0: MIPI PHY 1 0b1: MIPI PHY 2
TUN_EN	0	Tunneling Enabled The CFG pin sets this value initially, and further register writes to this register changes the value.	0b0: Tunneling disabled 0b1: Tunneling enabled

[MIPI_TX53 \(0x4B5\)](#)

BIT	7	6	5	4	3	2	1	0
Field	DESKEW_TUN_OFFSET[7:0]							
Reset	0x0							
Access Type	Write, Read							
BITFIELD	BITS	DESCRIPTION			DECODE			
DESKEW_TUN_OFFSET	7:0	Tunneling Deskew Width Offset			Used for DESKEW_TUN=1 case: increase this number of BCLK (8UI) to the detected deskew pulse width.			

[MIPI_TX54 \(0x4B6\)](#)

BIT	7	6	5	4	3	2	1	0
Field	TUN_PKT_START_ADDR[7:0]							
Reset	0x0							
Access Type	Write, Read							
BITFIELD	BITS	DESCRIPTION			DECODE			
TUN_PKT_START_ADDR	7:0	Specifies the start address of the long packet in Tunneling mode. When 0, the long packet is sent out when the whole line is filled in line memory. When not 0, the long packet begins when TUN_PKT_START_ADDR x 32 bytes are filled in the line memory.			0xXX: Value x 32 bytes filled in memory is when long packet starts			

[MIPI_TX55 \(0x4B7\)](#)

BIT	7	6	5	4	3	2	1	0
Field	–	–	–	–	–	–	–	TUN_NO_CORR_LENGTH
Reset	–	–	–	–	–	–	–	0b0
Access Type	–	–	–	–	–	–	–	Write, Read
BITFIELD	BITS	DESCRIPTION			DECODE			
TUN_NO_CORR_LENGTH	0	Do not enable header error packet length correction in Tunneling mode.			0b0: Tunneling error correction enabled 0b1: Tunneling error correction disabled			

MIPI_TX10 (0x4CA)

BIT	7	6	5	4	3	2	1	0
Field	CSI2_LANE_CNT[1:0]		CSI2_CPHY_EN	RSVD	–	–	–	–
Reset	0b11		0b0	0b1	–	–	–	–
Access Type	Write, Read		Write, Read		–	–	–	–

BITFIELD	BITS	DESCRIPTION	DECODE
CSI2_LANE_CNT	7:6	Set number of MIPI data lanes	0b00: One data lane for port 0b01: Two data lanes for port 0b10: Three data lanes for port 0b11: Four data lanes for port
CSI2_CPHY_EN	5	Enable CPHY	0b0: CPHY disabled 0b1: CPHY enabled

MIPI_TX_EXT0 (0x510)

BIT	7	6	5	4	3	2	1	0
Field	MAP_SRC_0_H[2:0]			MAP_DST_0_H[2:0]			–	–
Reset	0b000			0b000			–	–
Access Type	Write, Read			Write, Read			–	–

BITFIELD	BITS	DESCRIPTION	DECODE
MAP_SRC_0_H	7:5	Mapping register source VC high 3 bits for extended mode	0xX: VC source MSBs
MAP_DST_0_H	4:2	Mapping register destination VC high 3 bits for extended mode	0xX: VC destination MSBs

MIPI_TX_EXT1 (0x511)

BIT	7	6	5	4	3	2	1	0
Field	MAP_SRC_1_H[2:0]			MAP_DST_1_H[2:0]			–	–
Reset	0b000			0b000			–	–
Access Type	Write, Read			Write, Read			–	–

BITFIELD	BITS	DESCRIPTION	DECODE
MAP_SRC_1_H	7:5	Mapping register source VC high 3 bits for extended mode	0xX: VC source MSBs
MAP_DST_1_H	4:2	Mapping register destination VC high 3 bits for extended mode	0xX: VC destination MSBs

[MIPI_TX_EXT2 \(0x512\)](#)

BIT	7	6	5	4	3	2	1	0
Field	MAP_SRC_2_H[2:0]			MAP_DST_2_H[2:0]			–	–
Reset	0b000			0b000			–	–
Access Type	Write, Read			Write, Read			–	–

BITFIELD	BITS	DESCRIPTION	DECODE
MAP_SRC_2_H	7:5	Mapping register source VC high 3 bits for extended mode	0xX: VC source MSBs
MAP_DST_2_H	4:2	Mapping register destination VC high 3 bits for extended mode	0xX: VC destination MSBs

[MIPI_TX_EXT3 \(0x513\)](#)

BIT	7	6	5	4	3	2	1	0
Field	MAP_SRC_3_H[2:0]			MAP_DST_3_H[2:0]			–	–
Reset	0b000			0b000			–	–
Access Type	Write, Read			Write, Read			–	–

BITFIELD	BITS	DESCRIPTION	DECODE
MAP_SRC_3_H	7:5	Mapping register source VC high 3 bits for extended mode	0xX: VC source MSBs
MAP_DST_3_H	4:2	Mapping register destination VC high 3 bits for extended mode	0xX: VC destination MSBs

[MIPI_TX_EXT4 \(0x514\)](#)

BIT	7	6	5	4	3	2	1	0
Field	MAP_SRC_4_H[2:0]			MAP_DST_4_H[2:0]			–	–
Reset	0b000			0b000			–	–
Access Type	Write, Read			Write, Read			–	–

BITFIELD	BITS	DESCRIPTION	DECODE
MAP_SRC_4_H	7:5	Mapping register source VC high 3 bits for extended mode	0xX: VC source MSBs
MAP_DST_4_H	4:2	Mapping register destination VC high 3 bits for extended mode	0xX: VC destination MSBs

[MIPI_TX_EXT5 \(0x515\)](#)

BIT	7	6	5	4	3	2	1	0
Field	MAP_SRC_5_H[2:0]			MAP_DST_5_H[2:0]			–	–
Reset	0b000			0b000			–	–
Access Type	Write, Read			Write, Read			–	–

BITFIELD	BITS	DESCRIPTION	DECODE
MAP_SRC_5_H	7:5	Mapping register source VC high 3 bits for extended mode	0xX: VC source MSBs
MAP_DST_5_H	4:2	Mapping register destination VC high 3 bits for extended mode	0xX: VC destination MSBs

MIPI_TX_EXT6 (0x516)

BIT	7	6	5	4	3	2	1	0
Field	MAP_SRC_6_H[2:0]			MAP_DST_6_H[2:0]			–	–
Reset	0b000			0b000			–	–
Access Type	Write, Read			Write, Read			–	–

BITFIELD	BITS	DESCRIPTION	DECODE
MAP_SRC_6_H	7:5	Mapping register source VC high 3 bits for extended mode	0xX: VC source MSBs
MAP_DST_6_H	4:2	Mapping register destination VC high 3 bits for extended mode	0xX: VC destination MSBs

MIPI_TX_EXT7 (0x517)

BIT	7	6	5	4	3	2	1	0
Field	MAP_SRC_7_H[2:0]			MAP_DST_7_H[2:0]			–	–
Reset	0b000			0b000			–	–
Access Type	Write, Read			Write, Read			–	–

BITFIELD	BITS	DESCRIPTION	DECODE
MAP_SRC_7_H	7:5	Mapping register source VC high 3 bits for extended mode	0xX: VC source MSBs
MAP_DST_7_H	4:2	Mapping register destination VC high 3 bits for extended mode	0xX: VC destination MSBs

MIPI_TX_EXT8 (0x518)

BIT	7	6	5	4	3	2	1	0
Field	MAP_SRC_8_H[2:0]			MAP_DST_8_H[2:0]			–	–
Reset	0b000			0b000			–	–
Access Type	Write, Read			Write, Read			–	–

BITFIELD	BITS	DESCRIPTION	DECODE
MAP_SRC_8_H	7:5	Mapping register source VC high 3 bits for extended mode	0xX: VC source MSBs
MAP_DST_8_H	4:2	Mapping register destination VC high 3 bits for extended mode	0xX: VC destination MSBs

[MIPI_TX_EXT9 \(0x519\)](#)

BIT	7	6	5	4	3	2	1	0
Field	MAP_SRC_9_H[2:0]			MAP_DST_9_H[2:0]			–	–
Reset	0b000			0b000			–	–
Access Type	Write, Read			Write, Read			–	–

BITFIELD	BITS	DESCRIPTION	DECODE
MAP_SRC_9_H	7:5	Mapping register source VC high 3 bits for extended mode	0xX: VC source MSBs
MAP_DST_9_H	4:2	Mapping register destination VC high 3 bits for extended mode	0xX: VC destination MSBs

[MIPI_TX_EXT10 \(0x51A\)](#)

BIT	7	6	5	4	3	2	1	0
Field	MAP_SRC_10_H[2:0]			MAP_DST_10_H[2:0]			–	–
Reset	0b000			0b000			–	–
Access Type	Write, Read			Write, Read			–	–

BITFIELD	BITS	DESCRIPTION	DECODE
MAP_SRC_10_H	7:5	Mapping register source VC high 3 bits for extended mode	0xX: VC source MSBs
MAP_DST_10_H	4:2	Mapping register destination VC high 3 bits for extended mode	0xX: VC destination MSBs

[MIPI_TX_EXT11 \(0x51B\)](#)

BIT	7	6	5	4	3	2	1	0
Field	MAP_SRC_11_H[2:0]			MAP_DST_11_H[2:0]			–	–
Reset	0b000			0b000			–	–
Access Type	Write, Read			Write, Read			–	–

BITFIELD	BITS	DESCRIPTION	DECODE
MAP_SRC_11_H	7:5	Mapping register source VC high 3 bits for extended mode	0xX: VC source MSBs
MAP_DST_11_H	4:2	Mapping register destination VC high 3 bits for extended mode	0xX: VC destination MSBs

[MIPI_TX_EXT12 \(0x51C\)](#)

BIT	7	6	5	4	3	2	1	0
Field	MAP_SRC_12_H[2:0]			MAP_DST_12_H[2:0]			–	–
Reset	0b000			0b000			–	–
Access Type	Write, Read			Write, Read			–	–

BITFIELD	BITS	DESCRIPTION	DECODE
MAP_SRC_1_2_H	7:5	Mapping register source VC high 3 bits for extended mode	0xX: VC source MSBs
MAP_DST_1_2_H	4:2	Mapping register destination VC high 3 bits for extended mode	0xX: VC destination MSBs

MIPI_TX_EXT13 (0x51D)

BIT	7	6	5	4	3	2	1	0
Field	MAP_SRC_13_H[2:0]			MAP_DST_13_H[2:0]			–	–
Reset	0b000			0b000			–	–
Access Type	Write, Read			Write, Read			–	–

BITFIELD	BITS	DESCRIPTION	DECODE
MAP_SRC_1_3_H	7:5	Mapping register source VC high 3 bits for extended mode	0xX: VC source MSBs
MAP_DST_1_3_H	4:2	Mapping register destination VC high 3 bits for extended mode	0xX: VC destination MSBs

MIPI_TX_EXT14 (0x51E)

BIT	7	6	5	4	3	2	1	0
Field	MAP_SRC_14_H[2:0]			MAP_DST_14_H[2:0]			–	–
Reset	0b000			0b000			–	–
Access Type	Write, Read			Write, Read			–	–

BITFIELD	BITS	DESCRIPTION	DECODE
MAP_SRC_1_4_H	7:5	Mapping register source VC high 3 bits for extended mode	0xX: VC source MSBs
MAP_DST_1_4_H	4:2	Mapping register destination VC high 3 bits for extended mode	0xX: VC destination MSBs

MIPI_TX_EXT15 (0x51F)

BIT	7	6	5	4	3	2	1	0
Field	MAP_SRC_15_H[2:0]			MAP_DST_15_H[2:0]			–	–
Reset	0b000			0b000			–	–
Access Type	Write, Read			Write, Read			–	–

BITFIELD	BITS	DESCRIPTION	DECODE
MAP_SRC_1_5_H	7:5	Mapping register source VC high 3 bits for extended mode	0xX: VC source MSBs
MAP_DST_1_5_H	4:2	Mapping register destination VC high 3 bits for extended mode	0xX: VC destination MSBs

[MIPI_TX_EXT0 \(0x520\)](#)

BIT	7	6	5	4	3	2	1	0
Field	MAP_SRC_0_H[2:0]			MAP_DST_0_H[2:0]			–	–
Reset	0b000			0b000			–	–
Access Type	Write, Read			Write, Read			–	–

BITFIELD	BITS	DESCRIPTION	DECODE
MAP_SRC_0_H	7:5	Mapping register source VC high 3 bits for extended mode	0xX: VC source MSBs
MAP_DST_0_H	4:2	Mapping register destination VC high 3 bits for extended mode	0xX: VC destination MSBs

[MIPI_TX_EXT1 \(0x521\)](#)

BIT	7	6	5	4	3	2	1	0
Field	MAP_SRC_1_H[2:0]			MAP_DST_1_H[2:0]			–	–
Reset	0b000			0b000			–	–
Access Type	Write, Read			Write, Read			–	–

BITFIELD	BITS	DESCRIPTION	DECODE
MAP_SRC_1_H	7:5	Mapping register source VC high 3 bits for extended mode	0xX: VC source MSBs
MAP_DST_1_H	4:2	Mapping register destination VC high 3 bits for extended mode	0xX: VC destination MSBs

[MIPI_TX_EXT2 \(0x522\)](#)

BIT	7	6	5	4	3	2	1	0
Field	MAP_SRC_2_H[2:0]			MAP_DST_2_H[2:0]			–	–
Reset	0b000			0b000			–	–
Access Type	Write, Read			Write, Read			–	–

BITFIELD	BITS	DESCRIPTION	DECODE
MAP_SRC_2_H	7:5	Mapping register source VC high 3 bits for extended mode	0xX: VC source MSBs
MAP_DST_2_H	4:2	Mapping register destination VC high 3 bits for extended mode	0xX: VC destination MSBs

[MIPI_TX_EXT3 \(0x523\)](#)

BIT	7	6	5	4	3	2	1	0
Field	MAP_SRC_3_H[2:0]			MAP_DST_3_H[2:0]			–	–
Reset	0b000			0b000			–	–
Access Type	Write, Read			Write, Read			–	–

BITFIELD	BITS	DESCRIPTION	DECODE
MAP_SRC_3_H	7:5	Mapping register source VC high 3 bits for extended mode	0xX: VC source MSBs
MAP_DST_3_H	4:2	Mapping register destination VC high 3 bits for extended mode	0xX: VC destination MSBs

MIPI_TX_EXT4 (0x524)

BIT	7	6	5	4	3	2	1	0
Field	MAP_SRC_4_H[2:0]			MAP_DST_4_H[2:0]			–	–
Reset	0b000			0b000			–	–
Access Type	Write, Read			Write, Read			–	–

BITFIELD	BITS	DESCRIPTION	DECODE
MAP_SRC_4_H	7:5	Mapping register source VC high 3 bits for extended mode	0xX: VC source MSBs
MAP_DST_4_H	4:2	Mapping register destination VC high 3 bits for extended mode	0xX: VC destination MSBs

MIPI_TX_EXT5 (0x525)

BIT	7	6	5	4	3	2	1	0
Field	MAP_SRC_5_H[2:0]			MAP_DST_5_H[2:0]			–	–
Reset	0b000			0b000			–	–
Access Type	Write, Read			Write, Read			–	–

BITFIELD	BITS	DESCRIPTION	DECODE
MAP_SRC_5_H	7:5	Mapping register source VC high 3 bits for extended mode	0xX: VC source MSBs
MAP_DST_5_H	4:2	Mapping register destination VC high 3 bits for extended mode	0xX: VC destination MSBs

MIPI_TX_EXT6 (0x526)

BIT	7	6	5	4	3	2	1	0
Field	MAP_SRC_6_H[2:0]			MAP_DST_6_H[2:0]			–	–
Reset	0b000			0b000			–	–
Access Type	Write, Read			Write, Read			–	–

BITFIELD	BITS	DESCRIPTION	DECODE
MAP_SRC_6_H	7:5	Mapping register source VC high 3 bits for extended mode	0xX: VC source MSBs
MAP_DST_6_H	4:2	Mapping register destination VC high 3 bits for extended mode	0xX: VC destination MSBs

[MIPI_TX_EXT7 \(0x527\)](#)

BIT	7	6	5	4	3	2	1	0
Field	MAP_SRC_7_H[2:0]			MAP_DST_7_H[2:0]			–	–
Reset	0b000			0b000			–	–
Access Type	Write, Read			Write, Read			–	–

BITFIELD	BITS	DESCRIPTION	DECODE
MAP_SRC_7_H	7:5	Mapping register source VC high 3 bits for extended mode	0xX: VC source MSBs
MAP_DST_7_H	4:2	Mapping register destination VC high 3 bits for extended mode	0xX: VC destination MSBs

[MIPI_TX_EXT8 \(0x528\)](#)

BIT	7	6	5	4	3	2	1	0
Field	MAP_SRC_8_H[2:0]			MAP_DST_8_H[2:0]			–	–
Reset	0b000			0b000			–	–
Access Type	Write, Read			Write, Read			–	–

BITFIELD	BITS	DESCRIPTION	DECODE
MAP_SRC_8_H	7:5	Mapping register source VC high 3 bits for extended mode	0xX: VC source MSBs
MAP_DST_8_H	4:2	Mapping register destination VC high 3 bits for extended mode	0xX: VC destination MSBs

[MIPI_TX_EXT9 \(0x529\)](#)

BIT	7	6	5	4	3	2	1	0
Field	MAP_SRC_9_H[2:0]			MAP_DST_9_H[2:0]			–	–
Reset	0b000			0b000			–	–
Access Type	Write, Read			Write, Read			–	–

BITFIELD	BITS	DESCRIPTION	DECODE
MAP_SRC_9_H	7:5	Mapping register source VC high 3 bits for extended mode	0xX: VC source MSBs
MAP_DST_9_H	4:2	Mapping register destination VC high 3 bits for extended mode	0xX: VC destination MSBs

[MIPI_TX_EXT10 \(0x52A\)](#)

BIT	7	6	5	4	3	2	1	0
Field	MAP_SRC_10_H[2:0]			MAP_DST_10_H[2:0]			–	–
Reset	0b000			0b000			–	–
Access Type	Write, Read			Write, Read			–	–

BITFIELD	BITS	DESCRIPTION	DECODE
MAP_SRC_1_0_H	7:5	Mapping register source VC high 3 bits for extended mode	0xX: VC source MSBs
MAP_DST_1_0_H	4:2	Mapping register destination VC high 3 bits for extended mode	0xX: VC destination MSBs

MIPI_TX_EXT11 (0x52B)

BIT	7	6	5	4	3	2	1	0
Field	MAP_SRC_11_H[2:0]			MAP_DST_11_H[2:0]			–	–
Reset	0b000			0b000			–	–
Access Type	Write, Read			Write, Read			–	–

BITFIELD	BITS	DESCRIPTION	DECODE
MAP_SRC_1_1_H	7:5	Mapping register source VC high 3 bits for extended mode	0xX: VC source MSBs
MAP_DST_1_1_H	4:2	Mapping register destination VC high 3 bits for extended mode	0xX: VC destination MSBs

MIPI_TX_EXT12 (0x52C)

BIT	7	6	5	4	3	2	1	0
Field	MAP_SRC_12_H[2:0]			MAP_DST_12_H[2:0]			–	–
Reset	0b000			0b000			–	–
Access Type	Write, Read			Write, Read			–	–

BITFIELD	BITS	DESCRIPTION	DECODE
MAP_SRC_1_2_H	7:5	Mapping register source VC high 3 bits for extended mode	0xX: VC source MSBs
MAP_DST_1_2_H	4:2	Mapping register destination VC high 3 bits for extended mode	0xX: VC destination MSBs

MIPI_TX_EXT13 (0x52D)

BIT	7	6	5	4	3	2	1	0
Field	MAP_SRC_13_H[2:0]			MAP_DST_13_H[2:0]			–	–
Reset	0b000			0b000			–	–
Access Type	Write, Read			Write, Read			–	–

BITFIELD	BITS	DESCRIPTION	DECODE
MAP_SRC_1_3_H	7:5	Mapping register source VC high 3 bits for extended mode	0xX: VC source MSBs
MAP_DST_1_3_H	4:2	Mapping register destination VC high 3 bits for extended mode	0xX: VC destination MSBs

[MIPI_TX_EXT14 \(0x52E\)](#)

BIT	7	6	5	4	3	2	1	0
Field	MAP_SRC_14_H[2:0]			MAP_DST_14_H[2:0]			–	–
Reset	0b000			0b000			–	–
Access Type	Write, Read			Write, Read			–	–

BITFIELD	BITS	DESCRIPTION	DECODE
MAP_SRC_14_H	7:5	Mapping register source VC high 3 bits for extended mode	0xX: VC source MSBs
MAP_DST_14_H	4:2	Mapping register destination VC high 3 bits for extended mode	0xX: VC destination MSBs

[MIPI_TX_EXT15 \(0x52F\)](#)

BIT	7	6	5	4	3	2	1	0
Field	MAP_SRC_15_H[2:0]			MAP_DST_15_H[2:0]			–	–
Reset	0b000			0b000			–	–
Access Type	Write, Read			Write, Read			–	–

BITFIELD	BITS	DESCRIPTION	DECODE
MAP_SRC_15_H	7:5	Mapping register source VC high 3 bits for extended mode	0xX: VC source MSBs
MAP_DST_15_H	4:2	Mapping register destination VC high 3 bits for extended mode	0xX: VC destination MSBs

[CFG_0 \(0x540\)](#)

BIT	7	6	5	4	3	2	1	0
Field	VS_OUT1[2:0]			RSVD[4:0]				
Reset	0b000			0b00000				
Access Type	Write, Read							

BITFIELD	BITS	DESCRIPTION	DECODE
VS_OUT1	7:5	Output VSYNC from VS1 pin MSB is enabled. LSB 2 bits select which video pipeline to output.	0x0: Reserved 0x1: From Video Pipeline Y 0x2: From Video Pipeline Z 0x3: Reserved

[CFG_1 \(0x541\)](#)

BIT	7	6	5	4	3	2	1	0
Field	VS_OUT2[2:0]			RSVD[4:0]				
Reset	0b000			0b00000				
Access Type	Write, Read							

BITFIELD	BITS	DESCRIPTION	DECODE
VS_OUT2	7:5	Output VSYNC from VS2 pin MSB is enabled. LSB 2 bits select which video pipeline to output.	0x0: Reserved 0x1: From Video Pipeline Y 0x2: From Video Pipeline Z 0x3: Reserved

CFG 2 (0x542)

BIT	7	6	5	4	3	2	1	0
Field	HS_OUT1[2:0]			RSVD[4:0]				
Reset	0b000			0b00000				
Access Type	Write, Read							

BITFIELD	BITS	DESCRIPTION	DECODE
HS_OUT1	7:5	Output DE/DV from HS1 pin MSB is enabled. LSB 2 bits select which video pipeline to output.	0x0: Reserved 0x1: From Video Pipeline Y 0x2: From Video Pipeline Z 0x3: Reserved

UART_PT_0 (0x548)

BIT	7	6	5	4	3	2	1	0
Field	BITLEN_PT_1_L[7:0]							
Reset	0x96							
Access Type	Write, Read							

BITFIELD	BITS	DESCRIPTION	DECODE
BITLEN_PT_1_L	7:0	Custom UART bit length for pass-through UART Channel 1 Set BITLEN_MAN_CFG_1 (0x4F) to 1 to use this value. Set this register to the UART bit length divided by 6.666ns (LSB 8 bits)	0xXX: Low byte of custom UART bit length for pass-through UART Channel 1

UART_PT_1 (0x549)

BIT	7	6	5	4	3	2	1	0
Field	–	–	BITLEN_PT_1_H[5:0]					
Reset	–	–	0b000000					
Access Type	–	–	Write, Read					

BITFIELD	BITS	DESCRIPTION	DECODE
BITLEN_PT_1_H	5:0	High byte of custom UART bit length for pass-through UART Channel 1. Set BITLEN_MAN_CFG_1 (0x4F) to 1 to use this value. Set this register to the UART bit length divided by 6.666ns (LSB 8 bits).	0xXX: High byte of custom UART bit length for pass-through UART Channel 1

UART_PT_2 (0x54A)

BIT	7	6	5	4	3	2	1	0
Field	BITLEN_PT_2_L[7:0]							
Reset	0x96							
Access Type	Write, Read							

BITFIELD	BITS	DESCRIPTION	DECODE
BITLEN_PT_2_L	7:0	Low byte of custom UART bit length for pass-through UART Channel 2. Set BITLEN_MAN_CFG_2 (0x4F) to 1 to use this value. Set this register to the UART bit length divided by 6.666ns (LSB 8 bits).	0xXX: Low byte of custom UART bit length for pass-through UART Channel 2

UART_PT_3 (0x54B)

BIT	7	6	5	4	3	2	1	0
Field	–	–	BITLEN_PT_2_H[5:0]					
Reset	–	–	0b000000					
Access Type	–	–	Write, Read					

BITFIELD	BITS	DESCRIPTION	DECODE
BITLEN_PT_2_H	5:0	High byte of custom UART bit length for pass-through UART Channel 2. Set BITLEN_MAN_CFG_1 (0x4F) to 2 to use this value. Set this register to the UART bit length divided by 6.666ns (LSB 8 bits).	0xXX: High byte of custom UART bit length for pass-through UART Channel 2

I2C_PT_4 (0x550)

BIT	7	6	5	4	3	2	1	0
Field	SRC_A_1[6:0]							–
Reset	0x00							–
Access Type	Write, Read							–

BITFIELD	BITS	DESCRIPTION
SRC_A_1	7:1	I ² C address translator source A for pass-through 1 port When an I ² C transaction across the GMSL link has a device address matching I ² C SRC_A_1, the device address as seen on the remote side is replaced by the device address in I ² C DST_A_1.

I²C_PT_5 (0x551)

BIT	7	6	5	4	3	2	1	0
Field	DST_A_1[6:0]							–
Reset	0x00							–
Access Type	Write, Read							–

BITFIELD	BITS	DESCRIPTION
DST_A_1	7:1	I ² C address translator destination A for pass-through 1 port See the description of SRC_A_1.

I²C_PT_6 (0x552)

BIT	7	6	5	4	3	2	1	0
Field	SRC_B_1[6:0]							–
Reset	0x00							–
Access Type	Write, Read							–

BITFIELD	BITS	DESCRIPTION
SRC_B_1	7:1	I ² C address translator source B for pass-through 1 port When an I ² C transaction across the GMSL link has a device address matching I ² C SRC_B_1, the device address as seen on the remote side is replaced by the device address in I ² C DST_B_1.

I²C_PT_7 (0x553)

BIT	7	6	5	4	3	2	1	0
Field	DST_B_1[6:0]							–
Reset	0x00							–
Access Type	Write, Read							–

BITFIELD	BITS	DESCRIPTION
DST_B_1	7:1	I ² C address translator destination B for pass-through port 1 See the description of SRC_B_1.

[I2C_PT_8 \(0x554\)](#)

BIT	7	6	5	4	3	2	1	0
Field	SRC_A_2[6:0]							–
Reset	0x00							–
Access Type	Write, Read							–

BITFIELD	BITS	DESCRIPTION
SRC_A_2	7:1	I ² C address translator source A for pass-through 2 port When an I ² C transaction across the GMSL link has a device address matching I ² C SRC_A_2, the device address as seen on the remote side is replaced by the device address in I ² C DST_A_2.

[I2C_PT_9 \(0x555\)](#)

BIT	7	6	5	4	3	2	1	0
Field	DST_A_2[6:0]							–
Reset	0x00							–
Access Type	Write, Read							–

BITFIELD	BITS	DESCRIPTION
DST_A_2	7:1	I ² C address translator destination A for pass-through 2 port See the description of SRC_A_2.

[I2C_PT_10 \(0x556\)](#)

BIT	7	6	5	4	3	2	1	0
Field	SRC_B_2[6:0]							–
Reset	0x00							–
Access Type	Write, Read							–

BITFIELD	BITS	DESCRIPTION
SRC_B_2	7:1	I ² C address translator source B for pass-through 2 port When an I ² C transaction across the GMSL link has a device address matching I ² C SRC_B_2, the device address as seen on the remote side is replaced by the device address in I ² C DST_B_2.

[I2C_PT_11 \(0x557\)](#)

BIT	7	6	5	4	3	2	1	0
Field	DST_B_2[6:0]							–
Reset	0x00							–
Access Type	Write, Read							–

BITFIELD	BITS	DESCRIPTION
DST_B_2	7:1	I ² C address translator destination B for pass-through 2 port See the description of SRC_B_2.

CNT4 (0x55C)

BIT	7	6	5	4	3	2	1	0
Field	VID_PXL_CRC_ERR0[7:0]							
Reset	0x00							
Access Type	Read Clears All							

BITFIELD	BITS	DESCRIPTION
VID_PXL_CRC_ERR0	7:0	Total number of video pixel CRC errors detected at video streams. Reset after reading or with the rising edge of LOCK.

CNT5 (0x55D)

BIT	7	6	5	4	3	2	1	0
Field	VID_PXL_CRC_ERR1[7:0]							
Reset	0x00							
Access Type	Read Clears All							

BITFIELD	BITS	DESCRIPTION
VID_PXL_CRC_ERR1	7:0	Total number of video pixel CRC errors detected at video streams. Reset after reading or with the rising edge of LOCK.

CNT6 (0x55E)

BIT	7	6	5	4	3	2	1	0
Field	VID_PXL_CRC_ERR2[7:0]							
Reset	0x00							
Access Type	Read Clears All							

BITFIELD	BITS	DESCRIPTION
VID_PXL_CRC_ERR2	7:0	Total number of video pixel CRC errors detected at video streams. Reset after reading or with the rising edge of LOCK.

CNT7 (0x55F)

BIT	7	6	5	4	3	2	1	0
Field	VID_PXL_CRC_ERR3[7:0]							
Reset	0x00							
Access Type	Read Clears All							

BITFIELD	BITS	DESCRIPTION
VID_PXL_CRC_ERR3	7:0	Total number of video pixel CRC errors detected at video streams. Reset after reading or with the rising edge of LOCK.

PORT_TUN_ONLY (0x568)

BIT	7	6	5	4	3	2	1	0
Field	–	–	–	–	–	TUN_ONLY_2	TUN_ONLY_1	TUN_ONLY_CC
Reset	–	–	–	–	–	0b1	0b1	0b0
Access Type	–	–	–	–	–	Write, Read	Write, Read	Write, Read

BITFIELD	BITS	DESCRIPTION	DECODE
TUN_ONLY_2	2	Disable control channel access from RX2/SDA2 and TX2/SCL2	0x0: CC and Tunnel 0x1: Tunnel only
TUN_ONLY_1	1	Disable control channel access from RX1/SDA1 and TX1/SCL1	0x0: CC and Tunnel 0x1: Tunnel only
TUN_ONLY_CC	0	Disable control channel access from RX/SDA and TX/SCL	0x0: CC and Tunnel 0x1: Tunnel only

UNLOCK_KEY (0x569)

BIT	7	6	5	4	3	2	1	0
Field	UNLOCK_KEY[7:0]							
Reset	0xAA							
Access Type	Write, Read							

BITFIELD	BITS	DESCRIPTION	DECODE
UNLOCK_KEY	7:0	Register must be at unlock value to enable write access to port control pins DIS_LOCAL_CC, IIC_1_EN, IIC_2_EN, UART_1_EN, UART_2_EN, TUN_ONLY_CC, TUN_ONLY_1, and TUN_ONLY_2. Defaults to unlocked.	0xAA: Unlock write access Others: Lock write access

PIO_SLEW_0 (0x570)

BIT	7	6	5	4	3	2	1	0
Field	PIO03_SLEW[1:0]		PIO02_SLEW[1:0]		PIO01_SLEW[1:0]		PIO00_SLEW[1:0]	
Reset	0b11		0b11		0b11		0b10	
Access Type	Write, Read		Write, Read		Write, Read		Write, Read	

BITFIELD	BITS	DESCRIPTION
PIO03_SLEW	7:6	Rise and fall time speed setting on pad ring for this PIO 00 value is the fastest rise and fall time, and 11 value is the slowest. This PIO corresponds to MFP3.

BITFIELD	BITS	DESCRIPTION
PIO02_SLEW	5:4	Rise and fall time speed setting on pad ring for this PIO. 00 value is the fastest rise and fall time, and 11 value is the slowest. This PIO corresponds to MFP2.
PIO01_SLEW	3:2	Rise and fall time speed setting on pad ring for this PIO. 00 value is the fastest rise and fall time, and 11 value is the slowest. This PIO corresponds to MFP1.
PIO00_SLEW	1:0	Rise and fall time speed setting on pad ring for this PIO. 00 value is the fastest rise and fall time, and 11 value is the slowest. This PIO corresponds to MFP0.

PIO_SLEW_1 (0x571)

BIT	7	6	5	4	3	2	1	0
Field	PIO07_SLEW[1:0]			–	–	–	–	PIO04_SLEW[1:0]
Reset	0b10			–	–	–	–	0b11
Access Type	Write, Read			–	–	–	–	Write, Read

BITFIELD	BITS	DESCRIPTION
PIO07_SLEW	7:6	Rise and fall time speed setting on pad ring for this PIO. 00 value is the fastest rise and fall time, and 11 value is the slowest. This PIO corresponds to MFP5.
PIO04_SLEW	1:0	Rise and fall time speed setting on pad ring for this PIO. 00 value is the fastest rise and fall time, and 11 value is the slowest. This PIO corresponds to MFP4.

PIO_SLEW_2 (0x572)

BIT	7	6	5	4	3	2	1	0
Field	–	–	–	–	–	–	PIO08_SLEW[1:0]	
Reset	–	–	–	–	–	–	0b10	
Access Type	–	–	–	–	–	–	Write, Read	

BITFIELD	BITS	DESCRIPTION
PIO08_SLEW	1:0	Rise and fall time speed setting on pad ring for this PIO. 00 value is the fastest rise and fall time, and 11 value is the slowest. This PIO corresponds to MFP6.

HS_VS_ACT_Y (0x575)

BIT	7	6	5	4	3	2	1	0
Field	–	DE_DET_Y	VS_DET_Y	HS_DET_Y	–	–	VS_POL_Y	HS_POL_Y
Reset	–	0b0	0b0	0b0	–	–	0b0	0b0
Access Type	–	Read Only	Read Only	Read Only	–	–	Read Only	Read Only

BITFIELD	BITS	DESCRIPTION	DECODE
DE_DET_Y	6	DE activity is detected	0x0: DE is not detected 0x1: DE is detected

BITFIELD	BITS	DESCRIPTION	DECODE
VS_DET_Y	5	VS activity is detected	0x0: VS is not detected 0x1: VS is detected
HS_DET_Y	4	HS activity is detected	0x0: HS is not detected 0x1: HS is detected
VS_POL_Y	1	Detected VS polarity	0x0: Active low 0x1: Active high
HS_POL_Y	0	Detected HS polarity	0x0: Active low 0x1: Active high

HS_VS_ACT_Z (0x576)

BIT	7	6	5	4	3	2	1	0
Field	–	DE_DET_Z	VS_DET_Z	HS_DET_Z	–	–	VS_POL_Z	HS_POL_Z
Reset	–	0b0	0b0	0b0	–	–	0b0	0b0
Access Type	–	Read Only	Read Only	Read Only	–	–	Read Only	Read Only

BITFIELD	BITS	DESCRIPTION	DECODE
DE_DET_Z	6	DE activity is detected	0x0: DE is not detected 0x1: DE is detected
VS_DET_Z	5	VS activity is detected	0x0: VS is not detected 0x1: VS is detected
HS_DET_Z	4	HS activity is detected	0x0: HS is not detected 0x1: HS is detected
VS_POL_Z	1	Detected VS polarity	0x0: Active low 0x1: Active high
HS_POL_Z	0	Detected HS polarity	0x0: Active low 0x1: Active high

DP_ORSTB_CTL (0x577)

BIT	7	6	5	4	3	2	1	0
Field	–	DP_RST_MIPI3_CHK	DP_RST_STABLE_CHK	DP_RST_MIPI2_CHK	DP_RST_MIPI_CHK	DP_RST_VP_CHK	RSVD	RSVD
Reset	–	0b1	0b1	0b0	0b0	0b0	0b0	0b0
Access Type	–	Write, Read	Write, Read	Write, Read	Write, Read	Write, Read		

BITFIELD	BITS	DESCRIPTION	DECODE
DP_RST_MIPI3_CHK	6	Select reset mode to MIPI controllers. Set this bit to 1, if required, to have completely independent resets, and linkup of Link A and Link B.	0x0: Legacy 0x1: Enable auto reset of command FIFO read pointer (controls line memory output to MIPI TX) in MIPI TX
DP_RST_STABLE_CHK	5	Select reset mode when changing register values.	0x0: Legacy 0x1: Prevent resets while control register values are changing
DP_RST_MIPI2_CHK	4	Select reset mode to MIPI controllers. Set this bit to 1, if required, to have completely independent resets, and linkup of Link A and Link B.	0x0: Legacy 0x1: Independent reset functionality. Enable auto reset of MIPI controllers.

BITFIELD	BITS	DESCRIPTION	DECODE
DP_RST_MI PI_CHKb	3	Select reset mode to MIPI controllers.	0x0: Legacy 0x1: Independent reset functionality. This enables RST_MIPITX_LOC[3:0] (0x33F) to reset controllers individually.
DP_RST_VP _CHKb	2	Select reset mode to VIDEO_RX, VRX blocks. Set this bit to 1, if required, to have completely independent resets, and linkup of Link A and Link B.	0x0: Legacy 0x1: Independent reset functionality

PM_OV_STAT2 (0x578)

BIT	7	6	5	4	3	2	1	0
Field	VTERM_OV_OEN	VREG_OV_OEN	VTERM_OV_LEVEL[1:0]		RSVD[1:0]		VREG_OV_LEVEL[1:0]	
Reset	0b0	0b0	0x1		0x1		0x1	
Access Type	Write, Read	Write, Read	Write, Read				Write, Read	

BITFIELD	BITS	DESCRIPTION	DECODE
VTERM_OV_OEN	7	Enable V _{TERM} overvoltage status on ERRB	0b0: Reporting disabled 0b1: Reporting enabled
VREG_OV_OEN	6	Enable V _{REG} (LDO regulated V _{DD}) overvoltage status on ERRB	0b0: Reporting disabled 0b1: Reporting enabled
VTERM_OV_LEVEL	5:4	V _{TERM} overvoltage comparator trip level	0x0: 1.32V 0x1: 1.35V 0x2: 1.38V 0x3: 1.41V
VREG_OV_LEVEL	1:0	V _{REG} (LDO regulated V _{DD}) overvoltage comparator trip level	0x0: 1.32 V 0x1: 1.35 V 0x2: 1.38 V 0x3: 1.41 V

PM_OV_STAT3 (0x579)

BIT	7	6	5	4	3	2	1	0
Field	VTERM_OV_FLAG	VREG_OV_FLAG	RSVD	–	RSVD	RSVD	RSVD	RSVD
Reset	0b0	0b0	0b0	–	0b0	0b0	0b0	0b0
Access Type	Read Clears All	Read Clears All		–				

BITFIELD	BITS	DESCRIPTION	DECODE
VTERM_OV_FLAG	7	Sticky status value for V _{TERM} overvoltage	0b0: Overvoltage condition not detected 0b1: Overvoltage condition detected
VREG_OV_FLAG	6	Sticky status value for V _{REG} (LDO regulated V _{DD}) overvoltage	0b0: Overvoltage condition not detected 0b1: Overvoltage condition detected

UART_0 (0x808)

BIT	7	6	5	4	3	2	1	0
Field	–	–	REM_MS_E N_1	LOC_MS_E N_1	–	BYPASS_TO_1[1:0]		BYPASS_E N_1
Reset	–	–	0b0	0b0	–	0b01		0b0
Access Type	–	–	Write, Read	Write, Read	–	Write, Read		Write, Read

BITFIELD	BITS	DESCRIPTION	DECODE
REM_MS_E N_1	5	Enable UART Bypass mode control by remote GPIO pin. When set, remote chip's GPIO is used as MS pin (UART mode select). When MS is high, chip is in Bypass mode; otherwise, chip is in Base mode.	0b0: UART bypass mode not controlled by remote MS pin 0b1: UART bypass mode controlled by remote MS pin
LOC_MS_EN _1	4	Enable UART Bypass mode control by local GPIO pin. Set to use GPIO2 pin as MS pin (UART mode select). When MS is high, chip is in Bypass mode; otherwise, chip is in Base mode.	0b0: UART bypass mode not controlled by local MS pin 0b1: UART bypass mode controlled by local MS pin
BYPASS_TO _1	2:1	UART soft-bypass timeout duration. When set to 11, BYPASS_EN is never cleared, so the device stays in Bypass mode until next power down.	0b00: 2ms 0b01: 8ms 0b10: 32ms 0b11: Disabled
BYPASS_EN _1	0	Enable UART soft-bypass mode. Bypass mode remains active as long as there is UART activity. When there is no UART activity for selected duration (configured by BYPASS_TO bitfield), device exits Bypass mode, and the bit is automatically cleared.	0b0: UART soft-bypass mode disabled 0b1: UART soft-bypass mode enabled

UART_1 (0x809)

BIT	7	6	5	4	3	2	1	0
Field	–	–	REM_MS_E N_2	LOC_MS_E N_2	–	BYPASS_TO_2[1:0]		BYPASS_E N_2
Reset	–	–	0b0	0b0	–	0b01		0b0
Access Type	–	–	Write, Read	Write, Read	–	Write, Read		Write, Read

BITFIELD	BITS	DESCRIPTION	DECODE
REM_MS_E N_2	5	Enable UART Bypass mode control by remote GPIO pin. When set, remote chip's GPIO is used as MS pin (UART mode select). When MS is high, chip is in Bypass mode; otherwise, chip is in Base mode.	0b0: UART bypass mode not controlled by remote MS pin 0b1: UART bypass mode controlled by remote MS pin

BITFIELD	BITS	DESCRIPTION	DECODE
LOC_MS_EN_2	4	Enable UART Bypass mode control by local GPIO pin. Set to use GPIO2 pin as MS pin (UART mode select). When MS is high, chip is in Bypass mode; otherwise, chip is in Base mode.	0b0: UART bypass mode not controlled by local MS pin 0b1: UART bypass mode controlled by local MS pin
BYPASS_TO_2	2:1	UART soft-bypass timeout duration. When set to 11, BYPASS_EN is never cleared, so the device stays in bypass mode until next power-down.	0b00: 2ms 0b01: 8ms 0b10: 32ms 0b11: Disabled
BYPASS_EN_2	0	Enable UART Soft-bypass mode. Bypass mode remains active as long as there is UART activity. When there is no UART activity for selected duration (configured by BYPASS_TO bitfield), device exits Bypass mode, and the bit is automatically cleared.	0b0: UART soft-bypass mode disabled 0b1: UART soft-bypass mode enabled

I2C_PT_0 (0x80E)

BIT	7	6	5	4	3	2	1	0
Field	RSVD	I2C_REGSL V_0_TIMED_OUT	–	–	RSVD	I2C_INTREG_SLV_TO[2:0]		
Reset	0b0	0x0	–	–	0b0	0x6		
Access Type		Read Only	–	–		Write, Read		

BITFIELD	BITS	DESCRIPTION	DECODE
I2C_REGSL V_0_TIMED_OUT	6	Internal I ² C-to-Register subordinate for Primary Control Channel timed out while waiting for the main or the internal register access FSM.	0x0: Internal I ² C-to-Register subordinate for Primary Control Channel 0 has not timed out 0x1: Internal I ² C-to-Register subordinate for Primary Control Channel 0 has timed out
I2C_INTREG_SLV_TO	2:0	I ² C-to-Internal Register Subordinate 0 Timeout Setting Internal register I ² C subordinate 0 times out after the configured duration if it does not receive any response from the external main or internal register FSM. This subordinate serves the I ² C Primary Control Channel.	0b000: 1ms 0b001: 2ms 0b010: 4ms 0b011: 8ms 0b100: 16ms 0b101: 32ms 0b110: 35ms 0b111: Disabled

I2C_PT_1 (0x80F)

BIT	7	6	5	4	3	2	1	0
Field	I2C_REGSL V_2_TIMED_OUT	I2C_REGSL V_1_TIMED_OUT	I2C_INTREG_SLV_2_TO[2:0]			I2C_INTREG_SLV_1_TO[2:0]		
Reset	0x0	0x0	0x6			0x6		
Access Type	Read Only	Read Only	Write, Read			Write, Read		

BITFIELD	BITS	DESCRIPTION	DECODE
I2C_REGSLV_2_TIMED_OUT	7	Internal I ² C-to-Register subordinate for Pass-Through Port 2 timed out while waiting for the main or the internal register access FSM.	0x0: Internal I ² C-to-Register subordinate for Pass-Through Port 2 has not timed out 0x1: Internal I ² C-to-Register subordinate for Pass-Through Port 2 has timed out
I2C_REGSLV_1_TIMED_OUT	6	Internal I ² C-to-Register subordinate for Pass-Through Port 1 timed out while waiting for the main or the internal register access FSM.	0x0: Internal I ² C-to-Register subordinate for Pass-Through Port 1 has not timed out 0x1: Internal I ² C-to-Register subordinate for Pass-Through Port 1 has timed out
I2C_INTREG_SLV_2_TO	5:3	I ² C-to-Internal Register Subordinate 2 timeout setting Internal register I ² C subordinate 2 times out after the configured duration if it does not receive any response from the external main or internal register FSM. This subordinate serves the I ² C Pass-Through Port 2.	0b000: 1ms 0b001: 2ms 0b010: 4ms 0b011: 8ms 0b100: 16ms 0b101: 32ms 0b110: 35ms 0b111: Disabled
I2C_INTREG_SLV_1_TO	2:0	I ² C-to-Internal Register Subordinate 1 Timeout Setting Internal register I ² C subordinate 1 times out after the configured duration if it does not receive any response from the external main or internal register FSM. This subordinate serves the I ² C Pass-Through Port 1.	0b000: 1ms 0b001: 2ms 0b010: 4ms 0b011: 8ms 0b100: 16ms 0b101: 32ms 0b110: 35ms 0b111: Disabled

GMSL1_EN (0xF00)

BIT	7	6	5	4	3	2	1	0
Field	–	–	–	–	–	–	LINK_EN_B	LINK_EN_A
Reset	–	–	–	–	–	–	0b1	0b1
Access Type	–	–	–	–	–	–	Write, Read	Write, Read

BITFIELD	BITS	DESCRIPTION	DECODE
LINK_EN_B	1	Enable link B	0x0: Disable Link B 0x1: Enable Link B
LINK_EN_A	0	Enable link A	0x0: Disable Link A 0x1: Enable Link A

SPI_CC_WR (0x1300)

SPI data to write over the GMSL link. Use this address space to send write data across the GMSL link.

SPI_CC_RD (0x1380)

SPI data read over the GMSL link. Use this address space to read data sent across the GMSL link.

[RLMS3 \(0x1403, 0x1503\)](#)

BIT	7	6	5	4	3	2	1	0
Field	AdaptEn	RSVD	RSVD	RSVD	RSVD	RSVD	RSVD[1:0]	
Reset	0b0	0b0	0b0	0b0	0b1	0x0	0b10	
Access Type	Write, Read							
BITFIELD	BITS	DESCRIPTION			DECODE			
AdaptEn	7	Adapt process enable			0b0: Disable 0b1: Enable			

[RLMS4 \(0x1404, 0x1504\)](#)

BIT	7	6	5	4	3	2	1	0
Field	EOM_CHK_AMOUNT[3:0]				EOM_CHK_THR[1:0]		EOM_PER_MODE	EOM_EN
Reset	0x4				0b10		0b1	0b1
Access Type	Write, Read				Write, Read		Write, Read	Write, Read
BITFIELD	BITS	DESCRIPTION			DECODE			
EOM_CHK_AMOUNT	7:4	A factor (N) used to select the order of number of observations in each eye-monitor window. N is used in the equation: Observations = $6.29 \times 10^{(N + 2)}$			0xX: N factor			
EOM_CHK_THR	3:2	Eye-opening monitor number of error bits allowed in a measurement window			0b00: Allow no errors 0b01: Allow one error 0b10: Allow two errors 0b11: Allow three errors			
EOM_PER_MODE	1	Eye-Opening Monitor Periodic Mode Enable			0b0: Eye-opening monitor periodic mode disabled 0b1: Eye-opening monitor periodic mode enabled			
EOM_EN	0	Eye-Opening Monitor Enable			0b0: Eye-opening monitor disabled 0b1: Eye-opening monitor enabled			

[RLMS5 \(0x1405, 0x1505\)](#)

BIT	7	6	5	4	3	2	1	0
Field	EOM_MAN_TRG_REQ	EOM_MIN_THR[6:0]						
Reset	0b0	0b0010000						
Access Type	Write Only	Write, Read						
BITFIELD	BITS	DESCRIPTION			DECODE			
EOM_MAN_TRG_REQ	7	Eye-Opening Monitor Manual Trigger For use when periodic mode is disabled.			0b0: No action 0b1: EOM manual trigger request			

BITFIELD	BITS	DESCRIPTION	DECODE
EOM_MIN_THR	6:0	The eye-opening monitor minimum threshold as defined by the equation: % eye opening = EOM_MIN_THR/64. If the value is zero, the EOM is disabled.	0bXXXXXXXX: Eye-opening monitor minimum threshold factor

RLMS6 (0x1406, 0x1506)

BIT	7	6	5	4	3	2	1	0
Field	EOM_PV_MODE	EOM_RST_THR[6:0]						
Reset	0b1	0b0000000						
Access Type	Write, Read	Write, Read						

BITFIELD	BITS	DESCRIPTION	DECODE
EOM_PV_MODE	7	Eye-opening is measured vertically or horizontally.	0b0: Vertical opening mode 0b1: Horizontal opening mode
EOM_RST_THR	6:0	The eye-opening monitor refresh threshold as defined by the equation: % eye opening = EOM_MIN_THR/64. If the value is zero, the EOM is disabled.	0bXXXXXXXX: EOM refresh threshold factor

RLMS7 (0x1407, 0x1507)

BIT	7	6	5	4	3	2	1	0
Field	EOM_DONE	EOM[6:0]						
Reset	0b0	0b0000000						
Access Type	Read Only	Read Only						

BITFIELD	BITS	DESCRIPTION	DECODE
EOM_DONE	7	Eye-Opening Monitor Measurement Done	0b0: EOM not complete 0b1: EOM complete
EOM	6:0	Last completed EOM observation	0bXXXXXXXX: EOM measurement result

RLMSA (0x140A, 0x150A)

BIT	7	6	5	4	3	2	1	0
Field	RSVD	RSVD	RSVD[1:0]		DFEAdpDly[3:0]			
Reset	0x0	0x0	0b00		0x8			
Access Type					Write, Read			

BITFIELD	BITS	DESCRIPTION	DECODE
DFEAdpDly	3:0	DFE adapt enable delay (milliseconds) (default is 4 for slow receiver)	0xXX: Delay in milliseconds

[RLMSB \(0x140B, 0x150B\)](#)

BIT	7	6	5	4	3	2	1	0
Field	AGCAcqDly[3:0]				RSVD[3:0]			
Reset	0x4				0x4			
Access Type	Write, Read							

BITFIELD	BITS	DESCRIPTION	DECODE
AGCAcqDly	7:4	AGC Acquisition Delay decode: (milliseconds)	0x0: 1ms 0x1: 2ms 0x2: 3ms 0x3: 4ms 0x4: 5ms 0x5: 6ms 0x6: 7ms 0x7: 8ms 0x8: 9ms 0x9: 10ms 0xA: 12ms 0xB: 15ms 0xC: 20ms 0xD: 25ms 0xE: 32ms 0xF: 63ms

[RLMS18 \(0x1418, 0x1518\)](#)

BIT	7	6	5	4	3	2	1	0
Field	RSVD	RSVD[2:0]			RSVD	VgaHiGain	RSVD[1:0]	
Reset	0x0	0x0			0b1	0b1	0b11	
Access Type						Write, Read		

BITFIELD	BITS	DESCRIPTION	DECODE
VgaHiGain	2	55nm FR VGA has an addition gain stage instead of the FFE stage. This control bit (VgaHiGain) configures this gain stage to track the other stages or operate in a high-gain mode.	0: High Gain Stage Tracks VGA 1: VGA High Gain Stage Mode

[RLMS1F \(0x141F, 0x151F\)](#)

BIT	7	6	5	4	3	2	1	0
Field	AGCInitG2[7:0]							
Reset	0xA7							
Access Type	Write, Read							

BITFIELD	BITS	DESCRIPTION	DECODE
AGCInitG2	7:0	AGC initial value for G2 mode	0x00: Maximum gain 0xFF: Minimum gain

[RLMS21 \(0x1421, 0x1521\)](#)

BIT	7	6	5	4	3	2	1	0
Field	RSVD	–	BSTMuH[5:0]					
Reset	0x0	–	0x04					
Access Type		–	Write, Read					

BITFIELD	BITS	DESCRIPTION	DECODE
BSTMuH	5:0	BST adapt gain MSB	0xXX: BST adapt gain MSBs

[RLMS23 \(0x1423, 0x1523\)](#)

BIT	7	6	5	4	3	2	1	0
Field	–	RSVD	BSTInit[5:0]					
Reset	–	0b1	0b000101					
Access Type	–		Write, Read					

BITFIELD	BITS	DESCRIPTION	DECODE
BSTInit	5:0	BST initial value (Default is 0 for slow receiver)	0xXX: BST initial value

[RLMS31 \(0x1431, 0x1531\)](#)

BIT	7	6	5	4	3	2	1	0
Field	RSVD	–	OSNMuH[5:0]					
Reset	0b0	–	0b011000					
Access Type		–	Write, Read					

BITFIELD	BITS	DESCRIPTION	DECODE
OSNMuH	5:0	OSN adapt gain MSB	0xXX: OSN adapt gain MSBs

[RLMS3E \(0x143E, 0x153E\)](#)

BIT	7	6	5	4	3	2	1	0
Field	ErrChPhSec cTAFR6G	ErrChPhSecFR6G[6:0]						
Reset	0b1	0b0010100						
Access Type	Write, Read	Write, Read						

BITFIELD	BITS	DESCRIPTION	DECODE
ErrChPhSec TAFR6G	7	Error channel phase secondary timing adjust	0b0: Sample on rising clock edge 0b1: Sample on falling clock edge
ErrChPhSec FR6G	6:0	Error channel sampling point phase adjustment secondary (odd)	0xXX: 2 UI / 127

[RLMS3F \(0x143F, 0x153F\)](#)

BIT	7	6	5	4	3	2	1	0
Field	ErrChPhPriTAFR6G	ErrChPhPriFR6G[6:0]						
Reset	0b0	0b1010100						
Access Type	Write, Read	Write, Read						

BITFIELD	BITS	DESCRIPTION	DECODE
ErrChPhPriTAFR6G	7	Error channel phase primary timing adjust	0b0: Sample on rising clock edge 0b1: Sample on falling clock edge
ErrChPhPriFR6G	6:0	Error channel sampling point phase adjustment primary (even)	0xXX: 2 UI / 127

[RLMS45 \(0x1445, 0x1545\)](#)

BIT	7	6	5	4	3	2	1	0
Field	CRULpCtrlSREn	CRUSSCSeISREn	RSVD[1:0]		RSVD	RSVD[2:0]		
Reset	0b1	0b1	0b00		0b1	0b000		
Access Type	Write, Read	Write, Read						

BITFIELD	BITS	DESCRIPTION	DECODE
CRULpCtrlSREn	7	Override enable for CRU Loop control. When override is enabled, the user-programmed CRULpCtrl register value (in RLMS46 register) is used for CRU Loop control.	0: Override is disabled 1: Override is enabled
CRUSSCSeISREn	6	Override enable for CRU SSC SEL for Slow Receiver only	0b0: Disable 0b1: Enable

[RLMS46 \(0x1446, 0x1546\)](#)

BIT	7	6	5	4	3	2	1	0
Field	RSVD[3:0]				RSVD	CRULpCtrl[2:0]		
Reset	0xB				0b0	0b011		
Access Type						Write, Read		

BITFIELD	BITS	DESCRIPTION	DECODE
CRULpCtrl	2:0	CRU loop control for Fast Receiver and Slow Receiver For Slow Receiver Rate, if override is disabled, following values are used: Rate 11=101 Rate 10=011 Rate 01=001 Rate 00=000	0b000: 1 CRU edge (highest bandwidth) 0b001: 2 CRU edges 0b010: 1 CRU edge 0b011: 4 CRU edges (default setting) 0b100: 4 CRU edges 0b101: 8 CRU edges 0b110: 4 CRU edges 0b111: 16 CRU edges (lowest bandwidth)

[RLMS47 \(0x1447, 0x1547\)](#)

BIT	7	6	5	4	3	2	1	0
Field	RSVD	RSVD	RSVD	RSVD	RSVD	CRUSSCsel[1:0]		RSVD
Reset	0b0	0b0	0b0	0b0	0b0	0b01		0b1
Access Type						Write, Read		

BITFIELD	BITS	DESCRIPTION
CRUSSCsel	2:1	CRU spread spectrum adjust select For Slow Receiver while override is disabled Rate 11=10 Rate 10=10 Rate 01=01 Rate 00=01

[RLMS49 \(0x1449, 0x1549\)](#)

BIT	7	6	5	4	3	2	1	0
Field	RSVD	RSVD	RSVD	RSVD	RSVD	ErrChPwrUp	–	RSVD
Reset	0x1	0b1	0b1	0b1	0b0	0b1	–	0b1
Access Type						Write, Read	–	

BITFIELD	BITS	DESCRIPTION	DECODE
ErrChPwrUp	2	Error channel power down	0b0: Periodically power down 0b1: Remain powered up

[RLMS64 \(0x1464, 0x1564\)](#)

BIT	7	6	5	4	3	2	1	0
Field	RSVD[3:0]				RSVD	RSVD	TxSSCMode[1:0]	
Reset	0x9				0x0	0b0	0b00	
Access Type							Write, Read	

BITFIELD	BITS	DESCRIPTION	DECODE
TxSSCMode	1:0	Tx Spread Spectrum Mode	00: Spread spectrum disabled 01: Reserved 10: Reserved 11: Spread spectrum enabled (center spread)

[RLMS70 \(0x1470, 0x1570\)](#)

BIT	7	6	5	4	3	2	1	0	
Field	RSVD	TxSSCFrqCtrl[6:0]							
Reset	0b0	0b0000001							
Access Type		Write, Read							

BITFIELD	BITS	DESCRIPTION	DECODE
TxSSCFrqCtrl	6:0	Tx SSC modulation amplitude (frequency deviation) control	0x07: SSC 268 PPM 0x06: SSC 580 PPM 0x03: SSC 970 PPM 0x01: SSC 1750 PPM 0x01: SSC 2530 PPM Others: Reserved

RLMS71 (0x1471, 0x1571)

BIT	7	6	5	4	3	2	1	0
Field	RSVD	TxSSCCenSprSt[5:0]						TxSSCEn
Reset	0x0	0b000001						0b0
Access Type		Write, Read						Write, Read

BITFIELD	BITS	DESCRIPTION	DECODE
TxSSCCenSprSt	6:1	Tx SSC center spread starting phase	0x02: Set this value if SSC Generation is enabled (RLMS64) 0x00: Otherwise
TxSSCEn	0	Tx spread spectrum enable	0b0: Tx spread spectrum disabled 0b1: Tx spread spectrum enabled

RLMS72 (0x1472, 0x1572)

BIT	7	6	5	4	3	2	1	0
Field	TxSSCPreScIL[7:0]							
Reset	0xCF							
Access Type	Write, Read							

BITFIELD	BITS	DESCRIPTION	DECODE
TxSSCPreScIL	7:0	Tx SSC frequency prescaler bits 7:0. Decode values are for bits 7:0, concatenate with TXSSCPreScIH for final value.	0xC9: SSC 268 PPM 0xAB: SSC 580 PPM 0xAB: SSC 970 PPM 0xF9: SSC 1750 PPM 0xAB: SSC 2530 PPM Others: Reserved

RLMS73 (0x1473, 0x1573)

BIT	7	6	5	4	3	2	1	0
Field	RSVD[4:0]				TxSSCPreScIH[2:0]			
Reset	0x00				0b000			
Access Type					Write, Read			

BITFIELD	BITS	DESCRIPTION	DECODE
TxSSCPreScIH	2:0	Tx SSC frequency prescaler bits 10:8. Decode values are for bits 10:8, concatenate with TXSSCPreScIL for final value.	0x02: SSC 268 PPM 0x00: SSC 580 PPM 0x00: SSC 970 PPM 0x00: SSC 1750 PPM 0x00: SSC 2530 PPM Others: Reserved

RLMS74 (0x1474, 0x1574)

BIT	7	6	5	4	3	2	1	0
Field	TxSSCPhL[7:0]							
Reset	0x00							
Access Type	Write, Read							

BITFIELD	BITS	DESCRIPTION	DECODE
TxSSCPhL	7:0	Tx SSC phase accumulator increment bits 7:0. Decode values are for bits 7:0, concatenate with TXSSCPhH for final value.	0xF9: SSC 268 PPM 0x63: SSC 580 PPM 0x63: SSC 970 PPM 0x2C: SSC 1750 PPM 0x63: SSC 2530 PPM Others: Reserved

RLMS75 (0x1475, 0x1575)

BIT	7	6	5	4	3	2	1	0
Field	RSVD	TxSSCPhH[6:0]						
Reset	0b0	0b0000000						
Access Type	Write, Read							

BITFIELD	BITS	DESCRIPTION	DECODE
TxSSCPhH	6:0	Tx SSC phase accumulator increment bits 14:8. Decode values are for bits 14:8, concatenate with TXSSCPhL for final value.	0x01: If SSC Generation enabled (RLMS64) and desired spread is 268 PPM 0x07: If SSC Generation enabled (RLMS64) and desired spread is 580 PPM 0x07: If SSC Generation enabled (RLMS64) and desired spread is 970 PPM 0x05: If SSC Generation enabled (RLMS64) and desired spread is 1750 PPM 0x07: If SSC Generation enabled (RLMS64) and desired spread is 2530 PPM Others: Reserved

RLMS8C (0x148C, 0x158C)

BIT	7	6	5	4	3	2	1	0
Field	RSVD	cap_pre_out_rlms[6:0]						
Reset	0b0	0b0000000						
Access Type	Write, Read							

BITFIELD	BITS	DESCRIPTION	DECODE
cap_pre_out_rms	6:0	cap_preout value during RLMS if overridden	0xXX: cap_preout value

RLMS95 (0x1495, 0x1595)

BIT	7	6	5	4	3	2	1	0
Field	TxAmpManEn	RSVD	TxAmpMan[5:0]					
Reset	0b0	0b1	0b101001					
Access Type	Write, Read		Write, Read					

BITFIELD	BITS	DESCRIPTION	DECODE
TxAmpManEn	7	TX amplitude manual override	0: Do not manually override TX amplitude 1: Manually override TX amplitude
TxAmpMan	5:0	TX amplitude	0bXXXXXX: Binary amplitude 10mV per count

RLMS98 (0x1498, 0x1598)

BIT	7	6	5	4	3	2	1	0
Field	Cal_cap_pre_out_en	RSVD	RSVD[2:0]			RSVD[2:0]		
Reset	0b0	0b1	0b000			0b000		
Access Type	Write, Read							

BITFIELD	BITS	DESCRIPTION	DECODE
Cal_cap_pre_out_en	7	Enable manual override for cap_pre_out during RLMS	0b0: Disable 0b1: Enable

RLMSA4 (0x14A4, 0x15A4)

BIT	7	6	5	4	3	2	1	0
Field	AEQ_PER_MULT[1:0]		AEQ_PER[5:0]					
Reset	0b10		0b111101					
Access Type	Write, Read		Write, Read					

BITFIELD	BITS	DESCRIPTION	DECODE
AEQ_PER_MULT	7:6	Adaptive EQ period multiplier	00: 1ms 01: 4ms 10: 16ms 11: 64ms
AEQ_PER	5:0	Adaptive EQ period Periodic adaptation is disabled when value is 0. Adaptive EQ period is (AEQ_PER value times AEQ_PER_MULT).	

[RLMSA5 \(0x14A5, 0x15A5\)](#)

BIT	7	6	5	4	3	2	1	0
Field	RSVD[1:0]		PHYC_WBLOCK_DLY[1:0]		RSVD[1:0]		RSVD[1:0]	
Reset	0b01		0b01		0b00		0b00	
Access Type			Write, Read					

BITFIELD	BITS	DESCRIPTION	DECODE
PHYC_WBLOCK_DLY	5:4	PHY controller word boundary lock start delay	00: 1ms 01: 2ms 10: 4ms 11: 8ms

[RLMSA7 \(0x14A7, 0x15A7\)](#)

BIT	7	6	5	4	3	2	1	0
Field	MAN_CTRL_EN	RSVD	RSVD	RSVD	RSVD	RSVD	RSVD	RSVD
Reset	0b0	0b0	0b0	0b0	0b0	0b0	0b0	0b1
Access Type	Write, Read							

BITFIELD	BITS	DESCRIPTION	DECODE
MAN_CTRL_EN	7	PHY controller manual mode enable	0b0: PHY controller manual mode disabled 0b1: PHY controller manual mode enabled

[RLMSA8 \(0x14A8, 0x15A8\)](#)

BIT	7	6	5	4	3	2	1	0
Field	FW_PHY_CTRL	FW_PHY_PU_TX	FW_PHY_RSTB	RSVD	RSVD	RSVD	RSVD	RSVD
Reset	0b0	0b0	0b0	0b0	0b0	0b0	0b0	0b0
Access Type	Write, Read	Write, Read	Write, Read					

BITFIELD	BITS	DESCRIPTION	DECODE
FW_PHY_CTRL	7	PHY controller firmware mode enable	0b0: Disable 0b1: Enable
FW_PHY_PU_TX	6	Override PHY controller output	0b0: Power down TX 0b1: Power up TX
FW_PHY_RSTB	5	Override PHY controller output	0b0: Reset asserted 0b1: Reset deasserted

[RLMSA9 \(0x14A9, 0x15A9\)](#)

BIT	7	6	5	4	3	2	1	0
Field	FW_REPCAL_RSTB	RSVD	FW_TXD_SQUELCH	FW_TXD_EN	FW_RXD_EN	RSVD	RSVD	RSVD
Reset	0b0	0b0	0b0	0b0	0b0	0b0	0b0	0b0
Access Type	Write, Read		Write, Read	Write, Read	Write, Read			

BITFIELD	BITS	DESCRIPTION	DECODE
FW_REPCAL_RSTB	7	Override PHY controller output	0b0: Reset asserted 0b1: Reset deasserted
FW_TXD_SQUELCH	5	Override PHY controller output	0b0: Disable 0b1: Enable
FW_TXD_EN	4	Override PHY controller output	0b0: Disable 0b1: Enable
FW_RXD_EN	3	Override PHY controller output	0b0: Disable 0b1: Enable

[RLMSAC \(0x14AC, 0x15AC\)](#)

BIT	7	6	5	4	3	2	1	0
Field	RSVD	ErrChPhSecFR3G[6:0]						
Reset	0b1	0x20						
Access Type		Write, Read						

BITFIELD	BITS	DESCRIPTION	DECODE
ErrChPhSecFR3G	6:0	Error channel phase secondary (odd)	0xXX: Phase secondary value

[RLMSAD \(0x14AD, 0x15AD\)](#)

BIT	7	6	5	4	3	2	1	0
Field	RSVD	ErrChPhPriFR3G[6:0]						
Reset	0b0	0x60						
Access Type		Write, Read						

BITFIELD	BITS	DESCRIPTION	DECODE
ErrChPhPriFR3G	6:0	Error channel phase primary (even)	0xXX: Phase primary value

[DPLL_0 \(0x1C00\)](#)

BIT	7	6	5	4	3	2	1	0
Field	RSVD	RSVD	RSVD	RSVD	RSVD	RSVD	RSVD	config_soft_rst_n
Reset	0b1	0b1	0b1	0b1	0b0	0b1	0b0	0b1
Access Type								Write, Read

BITFIELD	BITS	DESCRIPTION	DECODE
config_soft_reset_n	0	Setting this to 0 resets the PLL functional registers, config_regs are not reset.	0b0: Reset asserted 0b1: Reset deasserted

DPLL_3 (0x1C03)

BIT	7	6	5	4	3	2	1	0
Field	config_sel_clock_out_use_external	config_disable_div_out_exp	config_use_internal_pll_mode_values	config_use_internal_divider_values	RSVD	RSVD[2:0]		
Reset	0b1	0b0	0b0	0b0	0b0	0b010		
Access Type	Write, Read	Write, Read	Write, Read	Write, Read				

BITFIELD	BITS	DESCRIPTION	DECODE
config_sel_clock_out_use_external	7	When 1, i_sel_clock_out is used to select output clock. Otherwise, internal registers are used.	
config_disable_div_out_exp	6	Forces div_out_exp to 7, which disables the divider	0b0: Disable 0b1: Enable
config_use_internal_pll_mode_values	5	Bypasses internal pll_mode controls and uses config_reg values	0b0: Disable 0b1: Enable
config_use_internal_divider_values	4	Forces all divider values to come from internal controls	0b0: Disable 0b1: Enable

DPLL_7 (0x1C07)

BIT	7	6	5	4	3	2	1	0	
Field	config_div_fb_L	config_div_in[4:0]					RSVD[1:0]		
Reset	0b0	0b00001					0b00		
Access Type	Write, Read	Write, Read							

BITFIELD	BITS	DESCRIPTION
config_div_fb_L	7	Sets the feedback divider value when i_div_use_external = 0
config_div_in	6:2	Sets the divide value of the input divider connected to i_clk_in, the main PLL clock input

DPLL_8 (0x1C08)

BIT	7	6	5	4	3	2	1	0
Field	config_div_fb_H[7:0]							
Reset	0x14							
Access Type	Write, Read							

BITFIELD	BITS	DESCRIPTION
config_div_fb_H	7:0	Sets the feedback divider value when i_div_use_external = 0

DPLL_10 (0x1C0A)

BIT	7	6	5	4	3	2	1	0
Field	RSVD	config_div_out_exp[2:0]			RSVD[3:0]			
Reset	0b1	0b000			0x1			
Access Type		Write, Read						

BITFIELD	BITS	DESCRIPTION
config_div_out_exp	6:4	Sets the output exponential divider value when i_div_use_external = 0

DPLL_0 (0x1D00)

BIT	7	6	5	4	3	2	1	0
Field	RSVD	RSVD	RSVD	RSVD	RSVD	RSVD	RSVD	config_soft_rst_n
Reset	0b1	0b1	0b1	0b1	0b0	0b1	0b0	0b1
Access Type								Write, Read

BITFIELD	BITS	DESCRIPTION	DECODE
config_soft_rst_n	0	Setting this to 0 resets the PLL functional registers, config_regs are not reset.	0b0: Reset asserted 0b1: Reset deasserted

DPLL_3 (0x1D03)

BIT	7	6	5	4	3	2	1	0
Field	config_sel_clock_out_use_external	config_disable_div_out_exp	config_use_internal_pll_mode_values	config_use_internal_divider_values	RSVD	RSVD[2:0]		
Reset	0b1	0b0	0b0	0b0	0b0	0b010		
Access Type	Write, Read	Write, Read	Write, Read	Write, Read				

BITFIELD	BITS	DESCRIPTION	DECODE
config_sel_clock_out_use_external	7	When 1, i_sel_clock_out is used to select output clock. Otherwise, internal registers are used.	
config_disable_div_out_exp	6	Forces div_out_exp to 7, which disables the divider	0b0: Disable 0b1: Enable
config_use_internal_pll_mode_values	5	Bypasses internal pll_mode controls and uses config_reg values	0b0: Disable 0b1: Enable
config_use_internal_divider_values	4	Forces all divider values to come from internal controls	0b0: Disable 0b1: Enable

DPLL_7 (0x1D07)

BIT	7	6	5	4	3	2	1	0	
Field	config_div_fb_L	config_div_in[4:0]					RSVD[1:0]		
Reset	0b0	0b00001					0b00		
Access Type	Write, Read	Write, Read							

BITFIELD	BITS	DESCRIPTION
config_div_fb_L	7	Sets the feedback divider value when i_div_use_external = 0
config_div_in	6:2	Sets the divide value of the input divider connected to i_clk_in, the main PLL clock input

DPLL_8 (0x1D08)

BIT	7	6	5	4	3	2	1	0
Field	config_div_fb_H[7:0]							
Reset	0x14							
Access Type	Write, Read							

BITFIELD	BITS	DESCRIPTION
config_div_fb_H	7:0	Sets the feedback divider value when i_div_use_external = 0

DPLL_10 (0x1D0A)

BIT	7	6	5	4	3	2	1	0
Field	RSVD	config_div_out_exp[2:0]			RSVD[3:0]			
Reset	0b1	0b000			0x1			
Access Type		Write, Read						

BITFIELD	BITS	DESCRIPTION
config_div_out_exp	6:4	Sets the output exponential divider value when i_div_use_external = 0

DPLL_0 (0x1E00)

BIT	7	6	5	4	3	2	1	0
Field	RSVD	RSVD	RSVD	RSVD	RSVD	RSVD	RSVD	config_soft_rst_n
Reset	0b1	0b1	0b1	0b1	0b0	0b1	0b0	0b1
Access Type								Write, Read

BITFIELD	BITS	DESCRIPTION	DECODE
config_soft_rst_n	0	Setting this to 0 resets the PLL functional registers, config_regs are not reset.	0b0: Reset asserted 0b1: Reset deasserted

DPLL_3 (0x1E03)

BIT	7	6	5	4	3	2	1	0
Field	config_sel_clock_out_use_external	config_disable_div_out_exp	config_use_internal_pll_mode_values	config_use_internal_divider_values	RSVD	RSVD[2:0]		
Reset	0b1	0b0	0b0	0b0	0b0	0b010		
Access Type	Write, Read	Write, Read	Write, Read	Write, Read				

BITFIELD	BITS	DESCRIPTION	DECODE
config_sel_clock_out_use_external	7	When 1, i_sel_clock_out is used to select output clock. Otherwise, internal registers are used.	
config_disable_div_out_exp	6	Forces div_out_exp to 7, which disables the divider	0b0: Disable 0b1: Enable
config_use_internal_pll_mode_values	5	Bypasses internal pll_mode controls and uses config_reg values	0b0: Disable 0b1: Enable
config_use_internal_divider_values	4	Forces all divider values to come from internal controls	0b0: Disable 0b1: Enable

DPLL_7 (0x1E07)

BIT	7	6	5	4	3	2	1	0	
Field	config_div_fb_L	config_div_in[4:0]					RSVD[1:0]		
Reset	0b0	0b00001					0b00		
Access Type	Write, Read	Write, Read							

BITFIELD	BITS	DESCRIPTION
config_div_fb_L	7	Sets the feedback divider value when i_div_use_external = 0
config_div_in	6:2	Sets the divide value of the input divider connected to i_clk_in, the main PLL clock input

DPLL_8 (0x1E08)

BIT	7	6	5	4	3	2	1	0
Field	config_div_fb_H[7:0]							
Reset	0x14							
Access Type	Write, Read							

BITFIELD	BITS	DESCRIPTION
config_div_fb_H	7:0	Sets the feedback divider value when i_div_use_external = 0

DPLL_10 (0x1E0A)

BIT	7	6	5	4	3	2	1	0
Field	RSVD	config_div_out_exp[2:0]			RSVD[3:0]			
Reset	0b1	0b000			0x1			
Access Type		Write, Read						

BITFIELD	BITS	DESCRIPTION
config_div_out_exp	6:4	Sets the output exponential divider value when i_div_use_external = 0

DPLL_0 (0x1F00)

BIT	7	6	5	4	3	2	1	0
Field	RSVD	RSVD	RSVD	RSVD	RSVD	RSVD	RSVD	config_soft_rst_n
Reset	0b1	0b1	0b1	0b1	0b0	0b1	0b0	0b1
Access Type								Write, Read

BITFIELD	BITS	DESCRIPTION	DECODE
config_soft_rst_n	0	Setting this to 0 resets the PLL functional registers, config_regs are not reset.	0b0: Reset asserted 0b1: Reset deasserted

DPLL_3 (0x1F03)

BIT	7	6	5	4	3	2	1	0
Field	config_sel_clock_out_use_external	config_disable_div_out_exp	config_use_internal_pll_mode_values	config_use_internal_divider_values	RSVD	RSVD[2:0]		
Reset	0b1	0b0	0b0	0b0	0b0	0b010		
Access Type	Write, Read	Write, Read	Write, Read	Write, Read				

BITFIELD	BITS	DESCRIPTION	DECODE
config_sel_clock_out_use_external	7	When 1, i_sel_clock_out is used to select output clock. Otherwise, internal registers are used.	
config_disable_div_out_exp	6	Forces div_out_exp to 7, which disables the divider	0b0: Disable 0b1: Enable
config_use_internal_pll_mode_values	5	Bypasses internal pll_mode controls and uses config_reg values	0b0: Disable 0b1: Enable
config_use_internal_divider_values	4	Forces all divider values to come from internal controls	0b0: Disable 0b1: Enable

[DPLL_7 \(0x1F07\)](#)

BIT	7	6	5	4	3	2	1	0	
Field	config_div_fb_L	config_div_in[4:0]					RSVD[1:0]		
Reset	0b0	0b00001					0b00		
Access Type	Write, Read	Write, Read							

BITFIELD	BITS	DESCRIPTION
config_div_fb_L	7	Sets the feedback divider value when i_div_use_external = 0
config_div_in	6:2	Sets the divide value of the input divider connected to i_clk_in, the main PLL clock input

[DPLL_8 \(0x1F08\)](#)

BIT	7	6	5	4	3	2	1	0
Field	config_div_fb_H[7:0]							
Reset	0x14							
Access Type	Write, Read							

BITFIELD	BITS	DESCRIPTION
config_div_fb_H	7:0	Sets the feedback divider value when i_div_use_external = 0

[DPLL_10 \(0x1F0A\)](#)

BIT	7	6	5	4	3	2	1	0
Field	RSVD	config_div_out_exp[2:0]			RSVD[3:0]			
Reset	0b1	0b000			0x1			
Access Type		Write, Read						

BITFIELD	BITS	DESCRIPTION
config_div_out_exp	6:4	Sets the output exponential divider value when i_div_use_external = 0

[CLEAR_STATS \(0x2000\)](#)

BIT	7	6	5	4	3	2	1	0
Field	–	–	–	–	CLEAR_BIT_S_CORRECTED	CLEAR_BLOCKS_UNCORRECTABLE	CLEAR_BLOCKS_PROCESSED	CLEAR_ALL_STATS
Reset	–	–	–	–	0b0	0b0	0b0	0b0
Access Type	–	–	–	–	Write 1 to Clear, Read	Write 1 to Clear, Read	Write 1 to Clear, Read	Write 1 to Clear, Read

BITFIELD	BITS	DESCRIPTION	DECODE
CLEAR_BIT_S_CORRECTED	3	Clear counter for number of bits corrected by FEC	0b0: Do not clear 0b1: Clear

BITFIELD	BITS	DESCRIPTION	DECODE
CLEAR_BLOCKS_UNCORRECTABLE	2	Clear counter for number of uncorrectable FEC blocks	0b0: Do not clear 0b1: Clear
CLEAR_BLOCKS_PROCESSED	1	Clear counter for number of FEC blocks processed	0b0: Do not clear 0b1: Clear
CLEAR_ALL_STATS	0	Clear all FEC stats and counters	0b0: Do not clear 0b1: Clear

STATS CONTROL (0x2001)

BIT	7	6	5	4	3	2	1	0
Field	–	–	–	–	–	–	–	STATS_ENABLE
Reset	–	–	–	–	–	–	–	0b0
Access Type	–	–	–	–	–	–	–	Write, Read

BITFIELD	BITS	DESCRIPTION	DECODE
STATS_ENABLE	0	Enable FEC stats collection for Link A	0b0: Disable 0b1: Enable

CORRECTED_THRESHOLD_0 (0x2008)

BIT	7	6	5	4	3	2	1	0
Field	BIT_ERRS_CORRECTED_THRESHOLD_0[7:0]							
Reset	0x00							
Access Type	Write, Read							

BITFIELD	BITS	DESCRIPTION
BIT_ERRS_CORRECTED_THRESHOLD_0	7:0	Threshold (decimal value) for number of bit errors seen before FEC error is asserted. Bits 7:0. Set this to the maximum value so that the FEC error flag is not asserted and any correctable errors that occurred are successfully corrected.

CORRECTED_THRESHOLD_1 (0x2009)

BIT	7	6	5	4	3	2	1	0
Field	BIT_ERRS_CORRECTED_THRESHOLD_1[7:0]							
Reset	0x00							
Access Type	Write, Read							

BITFIELD	BITS	DESCRIPTION
BIT_ERRS_CORRECTED_THRESHOLD_1	7:0	Threshold (decimal value) for number of bit errors seen before FEC error is asserted. Bits 15:8. Set this to the maximum value so that the FEC error flag is not asserted and any correctable errors that occurred are successfully corrected.

[CORRECTED_THRESHOLD_2 \(0x200A\)](#)

BIT	7	6	5	4	3	2	1	0
Field	BIT_ERRS_CORRECTED_THRESHOLD_2[7:0]							
Reset	0x00							
Access Type	Write, Read							

BITFIELD	BITS	DESCRIPTION
BIT_ERRS_CORRECTED_THRESHOLD_2	7:0	Threshold (decimal value) for number of bit errors seen before FEC error is asserted. Bits 23:16. Set this to the maximum value so that the FEC error flag is not asserted and any correctable errors that occurred are successfully corrected.

[CORRECTED_THRESHOLD_3 \(0x200B\)](#)

BIT	7	6	5	4	3	2	1	0
Field	BIT_ERRS_CORRECTED_THRESHOLD_3[7:0]							
Reset	0x00							
Access Type	Write, Read							

BITFIELD	BITS	DESCRIPTION
BIT_ERRS_CORRECTED_THRESHOLD_3	7:0	Threshold (decimal value) for number of bit errors seen before FEC error is asserted. Bits 31:24. Set this to the maximum value so that the FEC error flag is not asserted and any correctable errors that occurred are successfully corrected.

[ERROR_THRESHOLD_0 \(0x200C\)](#)

BIT	7	6	5	4	3	2	1	0
Field	UNCORRECTED_ERROR_THRESHOLD_0[7:0]							
Reset	0x00							
Access Type	Write, Read							

BITFIELD	BITS	DESCRIPTION
UNCORRECTED_ERROR_THRESHOLD_0	7:0	Threshold (decimal value) for number of uncorrected blocks seen before FEC error is asserted. Bits 7:0.

[ERROR_THRESHOLD_1 \(0x200D\)](#)

BIT	7	6	5	4	3	2	1	0
Field	UNCORRECTED_ERROR_THRESHOLD_1[7:0]							
Reset	0x00							
Access Type	Write, Read							

BITFIELD	BITS	DESCRIPTION
UNCORRECTED_ERROR_THRESHOLD_1	7:0	Threshold (decimal value) for number of uncorrected blocks seen before FEC error is asserted. Bits 15:8.

ERROR_THRESHOLD_2 (0x200E)

BIT	7	6	5	4	3	2	1	0
Field	UNCORRECTED_ERROR_THRESHOLD_2[7:0]							
Reset	0x00							
Access Type	Write, Read							

BITFIELD	BITS	DESCRIPTION
UNCORRECTED_ERROR_THRESHOLD_2	7:0	Threshold (decimal value) for number of uncorrected blocks seen before FEC error is asserted. Bits 23:16.

ERROR_THRESHOLD_3 (0x200F)

BIT	7	6	5	4	3	2	1	0
Field	UNCORRECTED_ERROR_THRESHOLD_3[7:0]							
Reset	0x00							
Access Type	Write, Read							

BITFIELD	BITS	DESCRIPTION
UNCORRECTED_ERROR_THRESHOLD_3	7:0	Threshold (decimal value) for number of uncorrected blocks seen before FEC error is asserted. Bits 31:24.

BLOCKS_UNCORRECTABLE_0 (0x2020)

BIT	7	6	5	4	3	2	1	0
Field	UNCORRECTABLE_BLOCKS_0[7:0]							
Reset	0x00							
Access Type	Read Only							

BITFIELD	BITS	DESCRIPTION
UNCORRECTABLE_BLOCKS_0	7:0	Number of uncorrectable blocks. Bits 7:0.

BLOCKS_UNCORRECTABLE_1 (0x2021)

BIT	7	6	5	4	3	2	1	0
Field	UNCORRECTABLE_BLOCKS_1[7:0]							
Reset	0x00							
Access Type	Read Only							

BITFIELD	BITS	DESCRIPTION
UNCORRECTABLE_BLOCKS_1	7:0	Number of uncorrectable blocks. Bits 15:8.

BLOCKS_UNCORRECTABLE_2 (0x2022)

BIT	7	6	5	4	3	2	1	0
Field	UNCORRECTABLE_BLOCKS_2[7:0]							
Reset	0x00							
Access Type	Read Only							

BITFIELD	BITS	DESCRIPTION
UNCORRECTABLE_BLOCKS_2	7:0	Number of uncorrectable blocks. Bits 23:16.

BLOCKS_UNCORRECTABLE_3 (0x2023)

BIT	7	6	5	4	3	2	1	0
Field	UNCORRECTABLE_BLOCKS_3[7:0]							
Reset	0x00							
Access Type	Read Only							

BITFIELD	BITS	DESCRIPTION
UNCORRECTABLE_BLOCKS_3	7:0	Number of uncorrectable blocks. Bits 31:24.

BITS_CORRECTED_0 (0x2024)

BIT	7	6	5	4	3	2	1	0
Field	BIT_ERRS_CORRECTED_0[7:0]							
Reset	0x00							
Access Type	Read Only							

BITFIELD	BITS	DESCRIPTION
BIT_ERRS_CORRECTED_0	7:0	Number of bit errors corrected. Bits 7:0.

BITS_CORRECTED_1 (0x2025)

BIT	7	6	5	4	3	2	1	0
Field	BIT_ERRS_CORRECTED_1[7:0]							
Reset	0x00							
Access Type	Read Only							

BITFIELD	BITS	DESCRIPTION
BIT_ERRS_CORRECTED_1	7:0	Number of bit errors corrected. Bits 15:8.

BITS_CORRECTED_2 (0x2026)

BIT	7	6	5	4	3	2	1	0
Field	BIT_ERRS_CORRECTED_2[7:0]							
Reset	0x00							
Access Type	Read Only							

BITFIELD	BITS	DESCRIPTION
BIT_ERRS_CORRECTED_2	7:0	Number of bit errors corrected. Bits 23:16.

BITS_CORRECTED_3 (0x2027)

BIT	7	6	5	4	3	2	1	0
Field	BIT_ERRS_CORRECTED_3[7:0]							
Reset	0x00							
Access Type	Read Only							

BITFIELD	BITS	DESCRIPTION
BIT_ERRS_CORRECTED_3	7:0	Number of bit errors corrected. Bits 31:24.

BLOCKS_PROCESSED_0 (0x2028)

BIT	7	6	5	4	3	2	1	0
Field	BLOCKS_PROCESSED_0[7:0]							
Reset	0x00							
Access Type	Read Only							

BITFIELD	BITS	DESCRIPTION
BLOCKS_PROCESSED_0	7:0	Number of 120-bit blocks processed. Bits 7:0.

BLOCKS_PROCESSED_1 (0x2029)

BIT	7	6	5	4	3	2	1	0
Field	BLOCKS_PROCESSED_1[7:0]							
Reset	0x00							
Access Type	Read Only							

BITFIELD	BITS	DESCRIPTION
BLOCKS_PROCESSED_1	7:0	Number of 120-bit blocks processed. Bits 15:8.

BLOCKS_PROCESSED_2 (0x202A)

BIT	7	6	5	4	3	2	1	0
Field	BLOCKS_PROCESSED_2[7:0]							
Reset	0x00							
Access Type	Read Only							

BITFIELD	BITS	DESCRIPTION
BLOCKS_PROCESSED_2	7:0	Number of 120-bit blocks processed. Bits 23:16.

BLOCKS_PROCESSED_3 (0x202B)

BIT	7	6	5	4	3	2	1	0
Field	BLOCKS_PROCESSED_3[7:0]							
Reset	0x00							
Access Type	Read Only							

BITFIELD	BITS	DESCRIPTION
BLOCKS_PROCESSED_3	7:0	Number of 120-bit blocks processed. Bits 31:24.

CLEAR_STATS (0x2100)

BIT	7	6	5	4	3	2	1	0
Field	–	–	–	–	CLEAR_BITS_CORRECTED_B	CLEAR_BLOCKS_UNCORRECTABLE_B	CLEAR_BLOCKS_PROCESSED_B	CLEAR_ALL_STATS_B
Reset	–	–	–	–	0b0	0b0	0b0	0b0
Access Type	–	–	–	–	Write 1 to Clear, Read	Write 1 to Clear, Read	Write 1 to Clear, Read	Write 1 to Clear, Read

BITFIELD	BITS	DESCRIPTION	DECODE
CLEAR_BITS_CORRECTED_B	3	Clear counter for number of bits corrected by FEC	0b0: Do not clear 0b1: Clear
CLEAR_BLOCKS_UNCORRECTABLE_B	2	Clear counter for number of uncorrectable FEC blocks	0b0: Do not clear 0b1: Clear
CLEAR_BLOCKS_PROCESSED_B	1	Clear counter for number of FEC blocks processed	0b0: Do not clear 0b1: Clear
CLEAR_ALL_STATS_B	0	Clear all FEC stats and counters	0b0: Do not clear 0b1: Clear

STATS_CONTROL (0x2101)

BIT	7	6	5	4	3	2	1	0
Field	–	–	–	–	–	–	–	STATS_ENABLE_B
Reset	–	–	–	–	–	–	–	0b0
Access Type	–	–	–	–	–	–	–	Write, Read

BITFIELD	BITS	DESCRIPTION	DECODE
STATS_ENABLE_B	0	Enable FEC stats collection for Link B	0b0: Disable 0b1: Enable

CORRECTED_THRESHOLD_0 (0x2108)

BIT	7	6	5	4	3	2	1	0
Field	BIT_ERRS_CORRECTED_THRESHOLD_0_B[7:0]							
Reset	0x00							
Access Type	Write, Read							

BITFIELD	BITS	DESCRIPTION
BIT_ERRS_CORRECTED_THRESHOLD_0_B	7:0	Threshold (decimal value) for number of bit errors seen before FEC error is asserted. Bits 7:0. Set this to the maximum value so that the FEC error flag is not asserted and any correctable errors that occurred are successfully corrected.

CORRECTED_THRESHOLD_1 (0x2109)

BIT	7	6	5	4	3	2	1	0
Field	BIT_ERRS_CORRECTED_THRESHOLD_1_B[7:0]							
Reset	0x00							
Access Type	Write, Read							

BITFIELD	BITS	DESCRIPTION
BIT_ERRS_CORRECTED_THRESHOLD_1_B	7:0	Threshold (decimal value) for number of bit errors seen before FEC error is asserted. Bits 15:8. Set this to the maximum value so that the FEC error flag is not asserted and any correctable errors that occurred are successfully corrected..

CORRECTED_THRESHOLD_2 (0x210A)

BIT	7	6	5	4	3	2	1	0
Field	BIT_ERRS_CORRECTED_THRESHOLD_2_B[7:0]							
Reset	0x00							
Access Type	Write, Read							

BITFIELD	BITS	DESCRIPTION
BIT_ERRS_CORRECTED_THRESHOLD_2_B	7:0	Threshold (decimal value) for number of bit errors seen before FEC error is asserted. Bits 23:16. Set this to the maximum value so that the FEC error flag is not asserted and any correctable errors that occurred are successfully corrected.

CORRECTED_THRESHOLD_3 (0x210B)

BIT	7	6	5	4	3	2	1	0
Field	BIT_ERRS_CORRECTED_THRESHOLD_3_B[7:0]							
Reset	0x00							
Access Type	Write, Read							

BITFIELD	BITS	DESCRIPTION
BIT_ERRS_CORRECTED_THRESHOLD_3_B	7:0	Threshold (decimal value) for number of bit errors seen before FEC error is asserted. Bits 31:24. Set this to the maximum value so that the FEC error flag is not asserted and any correctable errors that occurred are successfully corrected.

ERROR_THRESHOLD_0 (0x210C)

BIT	7	6	5	4	3	2	1	0
Field	UNCORRECTED_ERROR_THRESHOLD_0_B[7:0]							
Reset	0x00							
Access Type	Write, Read							

BITFIELD	BITS	DESCRIPTION
UNCORRECTED_ERROR_THRESHOLD_0_B	7:0	Threshold (decimal value) for number of uncorrected blocks seen before FEC error is asserted. Bits 7:0.

ERROR_THRESHOLD_1 (0x210D)

BIT	7	6	5	4	3	2	1	0
Field	UNCORRECTED_ERROR_THRESHOLD_1_B[7:0]							
Reset	0x00							
Access Type	Write, Read							

BITFIELD	BITS	DESCRIPTION
UNCORRECTED_ERROR_THRESHOLD_1_B	7:0	Threshold (decimal value) for number of uncorrected blocks seen before FEC error is asserted. Bits 15:8.

ERROR_THRESHOLD_2 (0x210E)

BIT	7	6	5	4	3	2	1	0
Field	UNCORRECTED_ERROR_THRESHOLD_2_B[7:0]							
Reset	0x00							
Access Type	Write, Read							

BITFIELD	BITS	DESCRIPTION
UNCORRECTED_ERR OR_THRESHOLD_2_B	7:0	Threshold (decimal value) for number of uncorrected blocks seen before FEC error is asserted. Bits 23:16.

ERROR_THRESHOLD_3 (0x210F)

BIT	7	6	5	4	3	2	1	0
Field	UNCORRECTED_ERROR_THRESHOLD_3_B[7:0]							
Reset	0x00							
Access Type	Write, Read							

BITFIELD	BITS	DESCRIPTION
UNCORRECTED_ERR OR_THRESHOLD_3_B	7:0	Threshold (decimal value) for number of uncorrected blocks seen before FEC error is asserted. Bits 31:24.

BLOCKS_UNCORRECTABLE_0 (0x2120)

BIT	7	6	5	4	3	2	1	0
Field	UNCORRECTABLE_BLOCKS_0_B[7:0]							
Reset	0x00							
Access Type	Read Only							

BITFIELD	BITS	DESCRIPTION
UNCORRECTABLE_BLK S_0_B	7:0	Number of uncorrectable blocks. Bits 7:0.

BLOCKS_UNCORRECTABLE_1 (0x2121)

BIT	7	6	5	4	3	2	1	0
Field	UNCORRECTABLE_BLOCKS_1_B[7:0]							
Reset	0x00							
Access Type	Read Only							

BITFIELD	BITS	DESCRIPTION
UNCORRECTABLE_BLK S_1_B	7:0	Number of uncorrectable blocks. Bits 15:8.

BLOCKS_UNCORRECTABLE_2 (0x2122)

BIT	7	6	5	4	3	2	1	0
Field	UNCORRECTABLE_BLOCKS_2_B[7:0]							
Reset	0x00							
Access Type	Read Only							

BITFIELD	BITS	DESCRIPTION
UNCORRECTABLE_BLK S_2_B	7:0	Number of uncorrectable blocks. Bits 23:16.

BLOCKS_UNCORRECTABLE_3 (0x2123)

BIT	7	6	5	4	3	2	1	0
Field	UNCORRECTABLE_BLOCKS_3_B[7:0]							
Reset	0x00							
Access Type	Read Only							

BITFIELD	BITS	DESCRIPTION
UNCORRECTABLE_BLOCKS_3_B	7:0	Number of uncorrectable blocks. Bits 31:24.

BITS_CORRECTED_0 (0x2124)

BIT	7	6	5	4	3	2	1	0
Field	BIT_ERRS_CORRECTED_0_B[7:0]							
Reset	0x00							
Access Type	Read Only							

BITFIELD	BITS	DESCRIPTION
BIT_ERRS_CORRECTED_0_B	7:0	Number of bit errors corrected. Bits 7:0.

BITS_CORRECTED_1 (0x2125)

BIT	7	6	5	4	3	2	1	0
Field	BIT_ERRS_CORRECTED_1_B[7:0]							
Reset	0x00							
Access Type	Read Only							

BITFIELD	BITS	DESCRIPTION
BIT_ERRS_CORRECTED_1_B	7:0	Number of bit errors corrected. Bits 15:8.

BITS_CORRECTED_2 (0x2126)

BIT	7	6	5	4	3	2	1	0
Field	BIT_ERRS_CORRECTED_2_B[7:0]							
Reset	0x00							
Access Type	Read Only							

BITFIELD	BITS	DESCRIPTION
BIT_ERRS_CORRECTED_2_B	7:0	Number of bit errors corrected. Bits 23:16.

BITS_CORRECTED_3 (0x2127)

BIT	7	6	5	4	3	2	1	0
Field	BIT_ERRS_CORRECTED_3_B[7:0]							
Reset	0x00							
Access Type	Read Only							

BITFIELD	BITS	DESCRIPTION
BIT_ERRS_CORRECTED_3_B	7:0	Number of bit errors corrected. Bits 31:24.

BLOCKS_PROCESSED_0 (0x2128)

BIT	7	6	5	4	3	2	1	0
Field	BLOCKS_PROCESSED_0_B[7:0]							
Reset	0x00							
Access Type	Read Only							

BITFIELD	BITS	DESCRIPTION
BLOCKS_PROCESSED_0_B	7:0	Number of 120-bit blocks processed. Bits 7:0.

BLOCKS_PROCESSED_1 (0x2129)

BIT	7	6	5	4	3	2	1	0
Field	BLOCKS_PROCESSED_1_B[7:0]							
Reset	0x00							
Access Type	Read Only							

BITFIELD	BITS	DESCRIPTION
BLOCKS_PROCESSED_1_B	7:0	Number of 120-bit blocks processed. Bits 15:8.

BLOCKS_PROCESSED_2 (0x212A)

BIT	7	6	5	4	3	2	1	0
Field	BLOCKS_PROCESSED_2_B[7:0]							
Reset	0x00							
Access Type	Read Only							

BITFIELD	BITS	DESCRIPTION
BLOCKS_PROCESSED_2_B	7:0	Number of 120-bit blocks processed. Bits 23:16.

BLOCKS_PROCESSED_3 (0x212B)

BIT	7	6	5	4	3	2	1	0
Field	BLOCKS_PROCESSED_3_B[7:0]							
Reset	0x00							
Access Type	Read Only							

BITFIELD	BITS	DESCRIPTION
BLOCKS_PROCESSED_3_B	7:0	Number of 120-bit blocks processed. Bits 31:24.

REGCRC0 (0x3000)

BIT	7	6	5	4	3	2	1	0
Field	–	–	RSVD	GEN_ROLLING_CRC	I2C_WR_COMPUTE	PERIODIC_COMPUTE	CHECK_CRC	RESET_CRC
Reset	–	–	0b0	0b0	0b0	0b0	0b0	0b0
Access Type	–	–		Write, Read	Write, Read	Write, Read	Write, Read	Write Clears All, Read

BITFIELD	BITS	DESCRIPTION	DECODE
GEN_ROLLING_CRC	4	Calculate CRC using additional 2-bit counter, so CRC value cycles every four invocations.	0b0: Disable 0b1: Enable
I2C_WR_COMPUTE	3	Execute CRC computation after every I ² C register write.	0b0: Disable 0b1: Enable
PERIODIC_COMPUTE	2	Perform CRC check on a periodic basis, based on CRC_PERIOD value.	0b0: Disable 0b1: Enable
CHECK_CRC	1	Upon calculation of CRC, compare with previous calculation, except on first time through. On mismatch, issue ERRB.	0b0: Disable 0b1: Enable
RESET_CRC	0	Reset CRC value to 16'FFFF.	0b0: Reset deasserted 0b1: Reset asserted

REGCRC1 (0x3001)

BIT	7	6	5	4	3	2	1	0
Field	CRC_PERIOD[7:0]							
Reset	0x00							
Access Type	Write, Read							

BITFIELD	BITS	DESCRIPTION
CRC_PERIOD	7:0	Period for CRC recomputation. This allows to vary the CRC computation time. Period = (value + 1) x 2ms 0000_0000 - 2ms 0000_0001 - 4ms ...

[REGCRC2 \(0x3002\)](#)

BIT	7	6	5	4	3	2	1	0
Field	REGCRC_LSB[7:0]							
Reset	0x00							
Access Type	Read Only							

BITFIELD	BITS	DESCRIPTION
REGCRC_LSB	7:0	CRC result LSB

[REGCRC3 \(0x3003\)](#)

BIT	7	6	5	4	3	2	1	0
Field	REGCRC_MSB[7:0]							
Reset	0x00							
Access Type	Read Only							

BITFIELD	BITS	DESCRIPTION
REGCRC_MSB	7:0	CRC result MSB

[I2C_UART_CRC0 \(0x3008\)](#)

BIT	7	6	5	4	3	2	1	0
Field	–	–	–	–	–	–	–	RESET_MS GCNTR
Reset	–	–	–	–	–	–	–	0b0
Access Type	–	–	–	–	–	–	–	Write Clears All, Read

BITFIELD	BITS	DESCRIPTION	DECODE
RESET_MS GCNTR	0	Reset Message Counter Value to 0	0b0: Reset deasserted 0b1: Reset asserted

[I2C_UART_CRC1 \(0x3009\)](#)

BIT	7	6	5	4	3	2	1	0
Field	MSGCNTR_ERR_THR[2:0]			CRC_ERR_THR[2:0]			RESET_MS GCNTR_ERR_CNT	RESET_CRC_ERR_CN T
Reset	0b0			0b0			0b0	0b0
Access Type	Write, Read			Write, Read			Write Clears All, Read	Write Clears All, Read

BITFIELD	BITS	DESCRIPTION	DECODE
MSGCNTR_ERR_THR	7:5	I ² C/UART CRC error reporting threshold <ul style="list-style-type: none"> I2C_UART_CRC_ERR_INT is asserted when CRC_ERR_CNT ≥ CRC_ERR_THR 	0b000: 1 0b001: 2 0b010: 4 0b011: 8 0b101: 16 0b101: 32 0b110: 64 0b111: 128
CRC_ERR_THR	4:2	I ² C/UART CRC error reporting threshold <ul style="list-style-type: none"> I2C_UART_CRC_ERR_INT is asserted when CRC_ERR_CNT ≥ CRC_ERR_THR 	0b000: 1 0b001: 2 0b010: 4 0b011: 8 0b101: 16 0b101: 32 0b110: 64 0b111: 128
RESET_MSGCNTR_ERR_CNT	1	Reset Message Counter Error Count to 0	0b0: Reset deasserted 0b1: Reset asserted
RESET_CRC_ERR_CNT	0	Reset CRC Error Count to 0	0b0: Reset deasserted 0b1: Reset asserted

I2C_UART_CRC2 (0x300A)

BIT	7	6	5	4	3	2	1	0
Field	CRC_VAL[7:0]							
Reset	0x00							
Access Type	Read Only							

BITFIELD	BITS	DESCRIPTION
CRC_VAL	7:0	Calculated CRC value for the last write transaction

I2C_UART_CRC3 (0x300B)

BIT	7	6	5	4	3	2	1	0
Field	MSGCNTR_LSB[7:0]							
Reset	0x00							
Access Type	Read Only							

BITFIELD	BITS	DESCRIPTION
MSGCNTR_LSB	7:0	Bits 7:0 of current Message Counter value

I2C_UART_CRC4 (0x300C)

BIT	7	6	5	4	3	2	1	0
Field	MSGCNTR_MSB[7:0]							
Reset	0x00							
Access Type	Read Only							

BITFIELD	BITS	DESCRIPTION
MSGCNTR_MSB	7:0	Bits 7:0 of current Message Counter value

I2C UART CRC5 (0x300D)

BIT	7	6	5	4	3	2	1	0
Field	CRC_ERR_CNT[7:0]							
Reset	0x00							
Access Type	Read Only							

BITFIELD	BITS	DESCRIPTION
CRC_ERR_CNT	7:0	Number of CRC errors observed

I2C UART CRC6 (0x300E)

BIT	7	6	5	4	3	2	1	0
Field	MSGCNTR_ERR_CNT[7:0]							
Reset	0x00							
Access Type	Read Only							

BITFIELD	BITS	DESCRIPTION
MSGCNTR_ERR_CNT	7:0	Number of Message Counter errors observed

I2C UART CRC7 (0x300F)

BIT	7	6	5	4	3	2	1	0
Field	–	–	–	MSGCNTR_PORT_SEL[1:0]	CC_MSGCNTR_EN	CC_CRC_EN	CC_CRC_MSGCNTR_OVR	
Reset	–	–	–	0x0	0b1	0b1	0b0	
Access Type	–	–	–	Write, Read	Write, Read	Write, Read	Write, Read	

BITFIELD	BITS	DESCRIPTION	DECODE
MSGCNTR_PORT_SEL	4:3	Selects the current message/CRC counter Selects between the ports for values read from MSGCNTR_LSB/MSB, MSGCNTR_ERR_CNT, CRC_VAL, and CRC_ERR_CNT.	0x0: Primary I ² C/UART interface 0x1: I ² C/UART pass-through 1 0x2: I ² C/UART pass-through 2 0x3: Reserved
CC_MSGCNTR_EN	2	Enable I ² C/UART Message Counter override when set to 1 Only active when CC_CRC_MSGCNTR_OVR = 1.	0b0: Reporting disabled 0b1: Reporting enabled
CC_CRC_EN	1	Enable I ² C/UART CRC override when set to 1 Only active when CC_CRC_MSGCNTR_OVR = 1.	0b0: Reporting disabled 0b1: Reporting enabled

BITFIELD	BITS	DESCRIPTION	DECODE
CC_CRC_MSGCNTR_OVR	0	Enable I ² C/UART CRC or Message Counter override when set to 1 When 0, eFuse controls CRC and Message Counter options.	0b0: Reporting disabled 0b1: Reporting enabled

FS_INTR0 (0x3010)

BIT	7	6	5	4	3	2	1	0
Field	I2C_UART_MSGCNTR_ERR_OEN	I2C_UART_CRC_ERR_OEN	MEM_ECC_ERR2_OEN	MEM_ECC_ERR1_OEN	–	–	EFUSE_CRC_ERR_OEN	REG_CRC_ERR_OEN
Reset	0b1	0b1	0b1	0b0	–	–	0b1	0b0
Access Type	Write, Read	Write, Read	Write, Read	Write, Read	–	–	Write, Read	Write, Read

BITFIELD	BITS	DESCRIPTION	DECODE
I2C_UART_MSGCNTR_ERR_OEN	7	Enable reporting of I ² C/UART Message Counter errors (I2C_UART_MSGCNTR_ERR_INT) at ERRB pin	0b0: Reporting disabled 0b1: Reporting enabled
I2C_UART_CRC_ERR_OEN	6	Enable reporting of I ² C/UART CRC errors (I2C_UART_CRC_ERR_INT) at ERRB pin	0b0: Reporting disabled 0b1: Reporting enabled
MEM_ECC_ERR2_OEN	5	Enable reporting of memory ECC 2-bit uncorrectable errors at ERRB pin	0b0: Reporting disabled 0b1: Reporting enabled
MEM_ECC_ERR1_OEN	4	Enable reporting of memory ECC 1-bit correctable errors at ERRB pin	0b0: Reporting disabled 0b1: Reporting enabled
EFUSE_CRC_ERR_OEN	1	Enable reporting eFuse CRC at ERRB pin	0b0: Reporting disabled 0b1: Reporting enabled
REG_CRC_ERR_OEN	0	Enable reporting register CRC at ERRB pin	0b0: Reporting disabled 0b1: Reporting enabled

FS_INTR1 (0x3011)

BIT	7	6	5	4	3	2	1	0
Field	I2C_UART_MSGCNTR_ERR_INT	I2C_UART_CRC_ERR_INT	MEM_ECC_ERR2_INT	MEM_ECC_ERR1_INT	–	–	EFUSE_CRC_ERR_FLAG	REG_CRC_ERR_FLAG
Reset	0b0	0b0	0b0	0b0	–	–	0b0	0b0
Access Type	Read Only	Read Only	Read Only	Read Only	–	–	Read Only	Read Only

BITFIELD	BITS	DESCRIPTION	DECODE
I2C_UART_MSGCNTR_ERR_INT	7	I ² C/UART Message Counter error, asserted when MSGCNTR_ERR_CNT ≥ MSGCNTR_ERR_THR.	0b0: Flag not asserted 0b1: Flag asserted
I2C_UART_CRC_ERR_INT	6	I ² C/UART CRC error, asserted when CRC_ERR_CNT ≥ CRC_ERR_THR	0b0: Flag not asserted 0b1: Flag asserted

BITFIELD	BITS	DESCRIPTION	DECODE
MEM_ECC_ERR2_INT	5	Decoding error flag for 2-bit uncorrectable memory ECC errors, asserted when MEM_ECC_ERR2_CNT \geq MEM_ECC_ERR2_THR.	0b0: Flag not asserted 0b1: Flag asserted
MEM_ECC_ERR1_INT	4	Decoding error flag for 1-bit correctable memory ECC errors, asserted when MEM_ECC_ERR1_CNT \geq MEM_ECC_ERR1_THR.	0b0: Flag not asserted 0b1: Flag asserted
EFUSE_CRC_ERR_FLAG	1	An error occurred on the eFuse CRC calculation	0b0: Flag not asserted 0b1: Flag asserted
REG_CRC_ERR_FLAG	0	An error occurred on the register CRC calculation	0b0: Flag not asserted 0b1: Flag asserted

MEM_ECC0 (0x3016)

BIT	7	6	5	4	3	2	1	0
Field	MEM_ECC_ERR2_THR[2:0]			MEM_ECC_ERR1_THR[2:0]			RESET_MEM_ECC_ERR2_CNT	RESET_MEM_ECC_ERR1_CNT
Reset	0b0			0b0			0b0	0b0
Access Type	Write, Read			Write, Read			Write Clears All, Read	Write Clears All, Read

BITFIELD	BITS	DESCRIPTION	DECODE
MEM_ECC_ERR2_THR	7:5	Decoding and error reporting threshold. MEM_ECC_ERR2 is asserted when MEM_ECC_ERR2_CNT \geq MEM_ECC_ERR2_THR.	0b000: 1 0b001: 2 0b010: 4 0b011: 8 0b101: 16 0b101: 32 0b110: 64 0b111: 128
MEM_ECC_ERR1_THR	4:2	Decoding and error reporting threshold MEM_ECC_ERR1 is asserted when MEM_ECC_ERR1_CNT \geq MEM_ECC_ERR1_THR.	0b000: 1 0b001: 2 0b010: 4 0b011: 8 0b101: 16 0b101: 32 0b110: 64 0b111: 128
RESET_MEM_ECC_ERR2_CNT	1	Reset memory ECC 2-bit error count to 0	0b0: Reset deasserted 0b1: Reset asserted
RESET_MEM_ECC_ERR1_CNT	0	Reset memory ECC 1-bit error count to 0	0b0: Reset deasserted 0b1: Reset asserted

[MEM_ECC1 \(0x3017\)](#)

BIT	7	6	5	4	3	2	1	0
Field	MEM_ECC_ERR1_CNT[7:0]							
Reset	0x00							
Access Type	Read Only							

BITFIELD	BITS	DESCRIPTION
MEM_ECC_ERR1_CNT	7:0	Number of 1-bit correctable memory ECC errors observed

[MEM_ECC2 \(0x3018\)](#)

BIT	7	6	5	4	3	2	1	0
Field	MEM_ECC_ERR2_CNT[7:0]							
Reset	0x00							
Access Type	Read Only							

BITFIELD	BITS	DESCRIPTION
MEM_ECC_ERR2_CNT	7:0	Number of 2-bit uncorrectable memory ECC errors observed

[REG_POST0 \(0x3020\)](#)

BIT	7	6	5	4	3	2	1	0
Field	POST_DON E	POST_MBI ST_PASSE D	POST_LBIS T_PASSED	–	–	RSVD	POST_RUN _MBIST	POST_RUN _LBIST
Reset	0b0	0b0	0b0	–	–	0b0	0b0	0b0
Access Type	Read Only	Read Only	Read Only	–	–		Read Only	Read Only

BITFIELD	BITS	DESCRIPTION	DECODE
POST_DON E	7	Power-on-self-test (POST) (LBIST and/or MBIST) is run	0b0: POST is not run 0b1: POST is run
POST_MBIS T_PASSED	6	MBIST passed during POST. Valid when POST_DONE is asserted.	0b0: MBIST failed during POST run (or is not enabled) 0b1: MBIST passed during POST run
POST_LBIST _PASSED	5	LBIST passed during POST. Valid when POST_DONE is asserted.	0b0: LBIST failed during POST run (or is not enabled) 0b1: LBIST passed during POST run
POST_RUN_ MBIST	1	Indicates if this device is enabled to run MBIST during POST. Read-only.	0b0: MBIST disabled 0b1: MBIST enabled
POST_RUN_ LBIST	0	Indicates if this device is enabled to run LBIST during POST. Read-only.	0b0: LBIST disabled 0b1: LBIST enabled

[REGCRC8 \(0x3030\)](#)

BIT	7	6	5	4	3	2	1	0	
Field	SKIP0_LSB[7:0]								
Reset	0xFF								
Access Type	Write, Read								
BITFIELD	BITS	DESCRIPTION				DECODE			
SKIP0_LSB	7:0	Address 0 to skip (LSB). This can be used to exclude whole registers from the CRC calculation.				0xXX: LSB of address			

[REGCRC9 \(0x3031\)](#)

BIT	7	6	5	4	3	2	1	0	
Field	SKIP0_MSB[7:0]								
Reset	0xFF								
Access Type	Write, Read								
BITFIELD	BITS	DESCRIPTION				DECODE			
SKIP0_MSB	7:0	Address 0 to skip (MSB). This can be used to exclude whole registers from the CRC calculation.				0xXX: MSB of address			

[REGCRC10 \(0x3032\)](#)

BIT	7	6	5	4	3	2	1	0	
Field	SKIP1_LSB[7:0]								
Reset	0xFF								
Access Type	Write, Read								
BITFIELD	BITS	DESCRIPTION				DECODE			
SKIP1_LSB	7:0	Address 1 to skip (LSB). This can be used to exclude whole registers from the CRC calculation.				0xXX: LSB of address			

[REGCRC11 \(0x3033\)](#)

BIT	7	6	5	4	3	2	1	0	
Field	SKIP1_MSB[7:0]								
Reset	0xFF								
Access Type	Write, Read								
BITFIELD	BITS	DESCRIPTION				DECODE			
SKIP1_MSB	7:0	Address 1 to skip (MSB). This can be used to exclude whole registers from the CRC calculation.				0xXX: MSB of address			

[REGCRC12 \(0x3034\)](#)

BIT	7	6	5	4	3	2	1	0
Field	SKIP2_LSB[7:0]							
Reset	0xFF							
Access Type	Write, Read							

BITFIELD	BITS	DESCRIPTION	DECODE
SKIP2_LSB	7:0	Address 2 to skip (LSB). This can be used to exclude whole registers from the CRC calculation.	0xXX: LSB of address

[REGCRC13 \(0x3035\)](#)

BIT	7	6	5	4	3	2	1	0
Field	SKIP2_MSB[7:0]							
Reset	0xFF							
Access Type	Write, Read							

BITFIELD	BITS	DESCRIPTION	DECODE
SKIP2_MSB	7:0	Address 2 to skip (MSB). This can be used to exclude whole registers from the CRC calculation.	0xXX: MSB of address

[REGCRC14 \(0x3036\)](#)

BIT	7	6	5	4	3	2	1	0
Field	SKIP3_LSB[7:0]							
Reset	0xFF							
Access Type	Write, Read							

BITFIELD	BITS	DESCRIPTION	DECODE
SKIP3_LSB	7:0	Address 3 to skip (LSB). This can be used to exclude whole registers from the CRC calculation.	0xXX: LSB of address

[REGCRC15 \(0x3037\)](#)

BIT	7	6	5	4	3	2	1	0
Field	SKIP3_MSB[7:0]							
Reset	0xFF							
Access Type	Write, Read							

BITFIELD	BITS	DESCRIPTION	DECODE
SKIP3_MSB	7:0	Address 3 to skip (MSB). This can be used to exclude whole registers from the CRC calculation.	0xXX: MSB of address

[REGCRC16 \(0x3038\)](#)

BIT	7	6	5	4	3	2	1	0	
Field	SKIP4_LSB[7:0]								
Reset	0xFF								
Access Type	Write, Read								
BITFIELD	BITS	DESCRIPTION				DECODE			
SKIP4_LSB	7:0	Address 4 to skip (LSB). This can be used to exclude whole registers from the CRC calculation.				0xXX: LSB of address			

[REGCRC17 \(0x3039\)](#)

BIT	7	6	5	4	3	2	1	0	
Field	SKIP4_MSB[7:0]								
Reset	0xFF								
Access Type	Write, Read								
BITFIELD	BITS	DESCRIPTION				DECODE			
SKIP4_MSB	7:0	Address 4 to skip (MSB). This can be used to exclude whole registers from the CRC calculation.				0xXX: MSB of address			

[REGCRC18 \(0x303A\)](#)

BIT	7	6	5	4	3	2	1	0	
Field	SKIP5_LSB[7:0]								
Reset	0xFF								
Access Type	Write, Read								
BITFIELD	BITS	DESCRIPTION				DECODE			
SKIP5_LSB	7:0	Address 5 to skip (LSB). This can be used to exclude whole registers from the CRC calculation.				0xXX: LSB of address			

[REGCRC19 \(0x303B\)](#)

BIT	7	6	5	4	3	2	1	0	
Field	SKIP5_MSB[7:0]								
Reset	0xFF								
Access Type	Write, Read								
BITFIELD	BITS	DESCRIPTION				DECODE			
SKIP5_MSB	7:0	Address 5 to skip (MSB). This can be used to exclude whole registers from the CRC calculation.				0xXX: MSB of address			

[REGCRC20 \(0x303C\)](#)

BIT	7	6	5	4	3	2	1	0	
Field	SKIP6_LSB[7:0]								
Reset	0xFF								
Access Type	Write, Read								
BITFIELD	BITS	DESCRIPTION				DECODE			
SKIP6_LSB	7:0	Address 6 to skip (LSB). This can be used to exclude whole registers from the CRC calculation.				0xXX: LSB of address			

[REGCRC21 \(0x303D\)](#)

BIT	7	6	5	4	3	2	1	0	
Field	SKIP6_MSB[7:0]								
Reset	0xFF								
Access Type	Write, Read								
BITFIELD	BITS	DESCRIPTION				DECODE			
SKIP6_MSB	7:0	Address 6 to skip (MSB). This can be used to exclude whole registers from the CRC calculation.				0xXX: MSB of address			

[REGCRC22 \(0x303E\)](#)

BIT	7	6	5	4	3	2	1	0	
Field	SKIP7_LSB[7:0]								
Reset	0xFF								
Access Type	Write, Read								
BITFIELD	BITS	DESCRIPTION				DECODE			
SKIP7_LSB	7:0	Address 7 to skip (LSB). This can be used to exclude whole registers from the CRC calculation.				0xXX: LSB of address			

[REGCRC23 \(0x303F\)](#)

BIT	7	6	5	4	3	2	1	0	
Field	SKIP7_MSB[7:0]								
Reset	0xFF								
Access Type	Write, Read								
BITFIELD	BITS	DESCRIPTION				DECODE			
SKIP7_MSB	7:0	Address 7 to skip (MSB). This can be used to exclude whole registers from the CRC calculation.				0xXX: MSB of address			

CC_RTTN_ERR (0x304F)

BIT	7	6	5	4	3	2	1	0
Field	–	–	–	–	RSVD	RESET_EFUSE_CRC_ERR	INJECT_EFUSE_CRC_ERR	INJECT_RTTN_CRC_ERR
Reset	–	–	–	–	0b0	0b0	0b0	0b0
Access Type	–	–	–	–		Write Clears All, Read	Write, Read	Write, Read

BITFIELD	BITS	DESCRIPTION	DECODE
RESET_EFUSE_CRC_ERR	2	Reset eFuse CRC error status to 0	
INJECT_EFUSE_CRC_ERR	1	Set this bit before reading eFuse values to inject error to eFuse CRC value. Use for ASIL evaluation purposes.	0b0: Do not inject eFuse CRC errors 0b1: Inject eFuse CRC errors
INJECT_RTTN_CRC_ERR	0	Set this bit before going into sleep mode to inject error to RTTN CRC value. Use for ASIL evaluation purposes.	0b0: Do not inject retention memory CRC errors 0b1: Inject retention memory CRC errors

CTRL9 (0x5009)

BIT	7	6	5	4	3	2	1	0
Field	RSVD	RSVD	–	–	LOCKED_B	–	–	–
Reset	0b0	0b0	–	–	0b0	–	–	–
Access Type			–	–	Read Only	–	–	–

BITFIELD	BITS	DESCRIPTION	DECODE
LOCKED_B	3	GMSL link locked (bidirectional). For Link B only.	0b0: GMSL link B not locked 0b1: GMSL link B locked

INTR10 (0x5010)

BIT	7	6	5	4	3	2	1	0
Field	RTTN_CRC_ERR_OEN	IDLE_ERR_OEN_B	FEC_RX_ERR_OEN_B	VDD18_OV_OEN	MAX_RT_OEN_B	RT_CNT_OEN_B	PKT_CNT_OEN_B	VDD_OV_OEN
Reset	0b1	0b0	0b0	0b0	0b1	0b0	0b0	0b0
Access Type	Write, Read	Write, Read	Write, Read	Write, Read	Write, Read	Write, Read	Write, Read	Write, Read

BITFIELD	BITS	DESCRIPTION	DECODE
RTTN_CRC_ERR_OEN	7	Retention Memory Restore CRC Error Output Enable If this bit is set, RTTN_CRC_ERR is passed on to the ERRB logic and affects the ERRB output.	0b0: Disabled 0b1: Enabled
IDLE_ERR_OEN_B	6	Enable reporting of Link B idle-word errors (IDLE_ERR_FLAG_B) at ERRB pin.	0b0: Reporting disabled 0b1: Reporting enabled

BITFIELD	BITS	DESCRIPTION	DECODE
FEC_RX_ERR_OEN_B	5	Enable reporting of Link B FEC receive errors exceeding thresholds (FEC_ERR_FLAG) at ERRB pin.	0b0: Reporting disabled 0b1: Reporting enabled
VDD18_OV_OEN	4	Enable V _{DD18} overvoltage status on ERRB	0b0: Reporting disabled 0b1: Reporting enabled
MAX_RT_OEN_B	3	Enable reporting of Link B combined ARQ maximum retransmission limit error flag (MAX_RT_FLAG) at ERRB pin.	0b0: Reporting disabled 0b1: Reporting enabled
RT_CNT_OEN_B	2	Enable reporting of Link B combined ARQ retransmission event flag (RT_CNT_FLAG) at ERRB pin.	0b0: Reporting disabled 0b1: Reporting enabled
PKT_CNT_OEN_B	1	Enable reporting of Link B packet count flag (PKT_CNT_FLAG_B) at ERRB pin.	0b0: Reporting disabled 0b1: Reporting enabled
VDD_OV_OEN	0	Enable V _{DD} overvoltage status on ERRB	0b0: Reporting disabled 0b1: Reporting enabled

INTR11 (0x5011)

BIT	7	6	5	4	3	2	1	0
Field	RTTN_CRC_INT	IDLE_ERR_FLAG_B	FEC_RX_ERR_FLAG_B	VDD18_OV_FLAG	MAX_RT_FLAG_B	RT_CNT_FLAG_B	PKT_CNT_FLAG_B	VDD_OV_FLAG
Reset	0b0	0b0	0b0	0b0	0b0	0b0	0b0	0b0
Access Type	Read Only	Read Only	Read Only	Read Clears All	Read Only	Read Only	Read Only	Read Clears All

BITFIELD	BITS	DESCRIPTION	DECODE
RTTN_CRC_INT	7	Retention Memory Restore CRC Error Interrupt. When the device wakes up, contents of retention memory is loaded back to main registers. The restored data is covered by CRC. If CRC fails, this bit is set.	0b0: Flag not asserted 0b1: Flag asserted
IDLE_ERR_FLAG_B	6	Idle-Word Error Flag for Link B Asserted when IDLE_ERR_B ≥ DEC_ERR_THR.	0b0: Flag not asserted 0b1: Flag asserted
FEC_RX_ERR_FLAG_B	5	FEC Receive Errors Flag for Link B Asserted when the FEC receiver correctable OR uncorrectable error counters exceeded their thresholds for the first time. When reading this flag, the status gets cleared. Reset the FEC statistics counters for this flag to be asserted again. See the CLEAR_STATS register to reset the counters.	0b0: Flag not asserted 0b1: Flag asserted
VDD18_OV_FLAG	4	Sticky status value for V _{DD} overvoltage	0b0: Overvoltage condition not detected 0b1: Overvoltage condition detected

BITFIELD	BITS	DESCRIPTION	DECODE
MAX_RT_FL AG_B	3	Combined ARQ maximum retransmission limit error flag for Link B. Asserted when any of the selected channel's ARQ retransmission limit is reached. Selection is done by each channel's MAX_RT_ERR_OEN register bit.	0b0: Flag not asserted 0b1: Flag asserted
RT_CNT_FL AG_B	2	Combined ARQ retransmission event flag for Link B Asserted when any of the selected channels have done at least one ARQ retransmission. Selection is done by each channel's RT_CNT_OEN register bit.	0b0: Flag not asserted 0b1: Flag asserted
PKT_CNT_F LAG_B	1	Packet Count Flag for Link B Asserted when PKT_CNT_B ≥ PKT_CNT_THR.	0b0: Flag not asserted 0b1: Flag asserted
VDD_OV_FL AG	0	Sticky status value for V _{DD} overvoltage flag	0b0: Overvoltage condition not detected 0b1: Overvoltage condition detected

INTR13 (0x5012)

BIT	7	6	5	4	3	2	1	0
Field	FEC_B_INACTIVE_OEN	FEC_A_INACTIVE_OEN	–	–	–	–	video_mem_overflow_oen	LOSS_OF_LOCK_OEN
Reset	0b0	0b0	–	–	–	–	0b0	0b0
Access Type	Write, Read	Write, Read	–	–	–	–	Write, Read	Write, Read

BITFIELD	BITS	DESCRIPTION	DECODE
FEC_B_INACTIVE_OEN	7	Enable reporting of link B FEC handshake error (FEC_B_INACTIVE) at the ERRB pin.	0x0: Reporting is disabled 0x1: Reporting is enabled
FEC_A_INACTIVE_OEN	6	Enable reporting of link A FEC handshake error (FEC_A_INACTIVE) at the ERRB pin.	0x0: Reporting is disabled 0x1: Reporting is enabled
video_mem_overflow_oen	1	Enable reporting of BACKTOP video memory overflow error (video_mem_overflow) at the ERRB pin.	0x0: Reporting is disabled 0x1: Reporting is enabled
LOSS_OF_LOCK_OEN	0	Enable reporting loss-of-lock detection (LOSS_OF_LOCK_FLAG) at the ERRB pin.	0x0: Reporting is disabled 0x1: Reporting is enabled

INTR14 (0x5013)

BIT	7	6	5	4	3	2	1	0
Field	FEC_B_INACTIVE	FEC_A_INACTIVE	–	–	–	–	video_mem_overflow	LOSS_OF_LOCK_FLAG
Reset	0b0	0b0	–	–	–	–	0b0	0b0
Access Type	Read Clears All	Read Clears All	–	–	–	–	Read Only	Read Clears All

BITFIELD	BITS	DESCRIPTION	DECODE
FEC_B_INACTIVE	7	Error flag indicating that when the FEC decoder on Link B is enabled through the config pin, the expected FEC encoder handshake InfoFrame from the serializer is not received 1ms past Link B lock. The handshake is required before the FEC decoder is officially turned ON. This is a clear-on-read sticky error flag.	0x0: No error is detected 0x1: Error is detected
FEC_A_INACTIVE	6	Error flag indicating that when the FEC decoder on Link A is enabled through the config pin, the expected FEC encoder handshake InfoFrame from the serializer is not received 1ms past Link A lock. The handshake is required before the FEC decoder is officially turned ON. This is a clear-on-read sticky error flag.	0x0: No error is detected 0x1: Error is detected
video_mem_overflow	1	Flag indicating that one or more of the following BACKTOP memory overflow errors are detected: 1) Video pipe Y Line Memory Overflow (LMO_Y) 2) Video pipe Z Line Memory Overflow (LMO_Z) 3) Video pipe Y Command FIFO overflow (cmd_overflow2) 4) Video pipe Z Command FIFO overflow (cmd_overflow3) Poll the individual error flags, LMO_Y, LMO_Z, cmd_overflow2, and cmd_overflow3 in the BACKTOP11 register to determine which specific error(s) are detected.	0x0: No BACKTOP memory overflow errors are detected 0x1: One of more BACKTOP memory overflow errors are detected
LOSS_OF_LOCK_FLAG	0	Loss of lock detection flag (sticky)	0x0: No loss of GMSL lock or MIPI video output is detected 0x1: Loss of GMSL lock (lock_cfg=0) or loss of MIPI video output (lock_cfg=1) detection flag

INTR12 (0x5018)

BIT	7	6	5	4	3	2	1	0
Field	–	–	–	ERR_RX_ID_B[4:0]				
Reset	–	–	–	0b11111				
Access Type	–	–	–	Write, Read				

BITFIELD	BITS	DESCRIPTION	DECODE
ERR_RX_ID_B	4:0	GPIO ID used for receiving ERR_RX for Link B	0bXXXXX: Value of GPIO ID for receiving ERR_RX

CNT2 (0x5024)

BIT	7	6	5	4	3	2	1	0
Field	IDLE_ERR_B[7:0]							
Reset	0x00							
Access Type	Read Clears All							

BITFIELD	BITS	DESCRIPTION	DECODE
IDLE_ERR_B	7:0	Number of idle-word errors detected for Link B Reset after reading or with the rising edge of LOCK.	0xXX: Number of idle-word errors detected

CNT3 (0x5025)

BIT	7	6	5	4	3	2	1	0
Field	PKT_CNT_B[7:0]							
Reset	0x00							
Access Type	Read Clears All							

BITFIELD	BITS	DESCRIPTION	DECODE
PKT_CNT_B	7:0	Number of received packets of a selected type for Link B. Packet type is selected with PKT_CNT_SEL register. Reported packet count is a scaled value, such that actual packet count is $\geq \text{PKT_CNT} \times (2^{\text{PKT_CNT_EXP}})$ and $< (\text{PKT_CNT} + 1) \times (2^{\text{PKT_CNT_EXP}})$. When maximum value is reported, packet count is greater or equal to the reported value.	0xXX: Scaled number of received packets

VIDEO_RX13 (0x501A)

BIT	7	6	5	4	3	2	1	0
Field	-	-	-	-	-	-	-	LOSS_OF_VIDEO_LOCK_OEN
Reset	-	-	-	-	-	-	-	0b0
Access Type	-	-	-	-	-	-	-	Write, Read

BITFIELD	BITS	DESCRIPTION	DECODE
LOSS_OF_VIDEO_LOCK_OEN	0	Enable reporting loss of pipe Y video lock (VIDEO_RX13::LOSS_OF_VIDEO_LOCK) at the ERRB pin	0x0: Reporting is disabled 0x1: Reporting is enabled

VIDEO_RX14 (0x501B)

BIT	7	6	5	4	3	2	1	0
Field	–	–	–	–	–	–	–	LOSS_OF_VIDEO_LOCK
Reset	–	–	–	–	–	–	–	0b0
Access Type	–	–	–	–	–	–	–	Read Clears All

BITFIELD	BITS	DESCRIPTION	DECODE
LOSS_OF_VIDEO_LOCK	0	Loss of pipe Y video lock detection flag (sticky)	0x0: Loss of pipe Y video lock is NOT detected 0x1: Loss of pipe Y video lock is detected

VIDEO_RX13 (0x5020)

BIT	7	6	5	4	3	2	1	0
Field	–	–	–	–	–	–	–	LOSS_OF_VIDEO_LOCK_OEN
Reset	–	–	–	–	–	–	–	0b0
Access Type	–	–	–	–	–	–	–	Write, Read

BITFIELD	BITS	DESCRIPTION	DECODE
LOSS_OF_VIDEO_LOCK_OEN	0	Enable reporting loss of pipe Z video lock (VIDEO_RX14::LOSS_OF_VIDEO_LOCK) at the ERRB pin	0x0: Reporting is disabled 0x1: Reporting is enabled

VIDEO_RX14 (0x5021)

BIT	7	6	5	4	3	2	1	0
Field	–	–	–	–	–	–	–	LOSS_OF_VIDEO_LOCK
Reset	–	–	–	–	–	–	–	0b0
Access Type	–	–	–	–	–	–	–	Read Clears All

BITFIELD	BITS	DESCRIPTION	DECODE
LOSS_OF_VIDEO_LOCK	0	Loss of pipe Z video lock detection flag (sticky)	0x0: Loss of pipe Z video lock is NOT detected 0x1: Loss of pipe Z video lock is detected

TX0 (0x5028)

For GMSL Link B

BIT	7	6	5	4	3	2	1	0
Field	RSVD[1:0]		RSVD	RSVD	–	–	RX_FEC_EN	RSVD
Reset	0b01		0b1	0b0	–	–	0b0	0b0
Access Type					–	–	Write, Read	

BITFIELD	BITS	DESCRIPTION	DECODE
RX_FEC_EN	1	Enable forward error correction (FEC) on Link B in forward direction. For GMSL3 parts, bit is set according to the latched CFG1 pin value at power-up.	0b0: Disable 0b1: Enable

TX1 (0x5029)

For GMSL Link B

BIT	7	6	5	4	3	2	1	0
Field	LINK_PRBS_GEN	RSVD	–	ERRG_EN_B	RSVD	RSVD	RSVD	RSVD
Reset	0b0	0b0	–	0b0	0b1	0b0	0b0	0b0
Access Type	Write, Read		–	Write, Read				

BITFIELD	BITS	DESCRIPTION	DECODE
LINK_PRBS_GEN	7	Enable link PRBS-7 generator	0x0: Disabled 0x1: Enabled
ERRG_EN_B	4	Error generator enable for Link B (reverse channel). Error injection applies to all data going across the link.	0b0: Link B error generator disabled 0b1: Link B error generator enabled

TX2 (0x502A)

For GMSL Link B

BIT	7	6	5	4	3	2	1	0
Field	ERRG_CNT[1:0]		ERRG_RATE[1:0]		ERRG_BURST[2:0]			ERRG_PER
Reset	0b00		0b10		0b000			0b0
Access Type	Write, Read		Write, Read		Write, Read			Write, Read

BITFIELD	BITS	DESCRIPTION	DECODE
ERRG_CNT	7:6	Number of errors to be generated	0b00: Continuous 0b01: 16 errors 0b10: 128 errors 0b11: 1024 errors
ERRG_RATE	5:4	Error-generator average-bit error rate	0b00: 1 in 5120 bits 0b01: 1 in 81920 bits 0b10: 1 in 1310720 bits 0b11: 1 in 20971520 bits
ERRG_BURST	3:1	Error-generator burst-error length	0b000: 1 0b001: 2 0b010: 3 0b011: 4 0b100: 8 0b101: 12 0b110: 16 0b111: 20
ERRG_PER	0	Error-generator error-distribution selection	0b0: Pseudorandom 0b1: Periodic

TX3 (0x502B)

For GMSL Link B

BIT	7	6	5	4	3	2	1	0
Field	RSVD[1:0]		RX_FEC_ACTIVE	RSVD	–	RSVD[2:0]		
Reset	0b01		0b0	0b0	–	0b100		
Access Type			Read Only		–			

BITFIELD	BITS	DESCRIPTION	DECODE
RX_FEC_ACTIVE	5	FEC is active	0b0: FEC disabled 0b1: FEC enabled

RX0 (0x502C)

For GMSL Link B

BIT	7	6	5	4	3	2	1	0
Field	PKT_CNT_LBW[1:0]		RSVD	RSVD	PKT_CNT_SEL[3:0]			
Reset	0b00		0x0	0b0	0x0			
Access Type	Write, Read				Write, Read			

BITFIELD	BITS	DESCRIPTION	DECODE
PKT_CNT_LBW	7:6	Select the subtype of low-bandwidth (LBW) packets to count at PKT_CNT register	0b00: Count LBW data packets only 0b01: Count LBW acknowledge packets only 0b10: Count LBW data and acknowledge packets 0b11: Reserved
PKT_CNT_SEL	3:0	Select the type of received packets to count at PKT_CNT register	0x0: None 0x1: VIDEO 0x2: Reserved 0x3: INFO Frame 0x4: SPI 0x5: I ² C 0x6: UART 0x7: GPIO 0x8: Reserved 0x9: Reserved 0xA: Reserved 0xB: Reserved 0xC: Reserved 0xD: Reserved 0xE: All 0xF: Unknown and packets with error

GPIOA (0x5030)

For GMSL Link B

BIT	7	6	5	4	3	2	1	0
Field	RSVD	RSVD	GPIO_FWD_CDLY[5:0]					
Reset	0b0	0b1	0b000001					
Access Type			Write, Read					

BITFIELD	BITS	DESCRIPTION	DECODE
GPIO_FWD_CDLY	5:0	<p>Compensation delay multiplier for the forward direction. For Link B.</p> <p>This must be the same value as GPIO_FWD_CDLY of the chip on the other side of the link.</p> <p>Total delay is the (value + 1) multiplied by 1.7µs. Default delay is 3.4µs.</p>	0bXXXXXX: Forward compensation delay multiplier value

GPIOB (0x5031)

For GMSL Link B

BIT	7	6	5	4	3	2	1	0
Field	GPIO_TX_WNDW[1:0]		GPIO_REV_CDLY[5:0]					
Reset	0b10		0b001000					
Access Type	Write, Read		Write, Read					

BITFIELD	BITS	DESCRIPTION	DECODE
GPIO_TX_WNDW	7:6	<p>Wait time after a GPIO transition to create a packet. For Link B.</p> <p>This allows grouping transitions of different GPIO inputs in a single packet and so increases GPIO bandwidth usage efficiency.</p>	<p>0b00: Disabled</p> <p>0b01: 200ns</p> <p>0b10: 500ns</p> <p>0b11: 1000ns</p>
GPIO_REV_CDLY	5:0	<p>Compensation delay multiplier for the reverse direction. For Link B.</p> <p>This must be the same value as GPIO_REV_CDLY of the chip on the other side of the link.</p> <p>Total delay is the (value + 1) multiplied by 1.7µs. Default delay is 15.3µs.</p>	0bXXXXXX: Reverse compensation delay multiplier value

RX0 (0x5050)

BIT	7	6	5	4	3	2	1	0
Field	RX_CRC_EN_B	–	–	–	–	–	STR_SEL_B[1:0]	
Reset	0b0	–	–	–	–	–	0b00	
Access Type	Write, Read	–	–	–	–	–	Write, Read	

BITFIELD	BITS	DESCRIPTION	DECODE
RX_CRC_EN_B	7	When set, indicates that packets received at this port have appended CRC and CRC checking should be performed at each packet.	<p>0b0: No CRC on received packets</p> <p>0b1: Received packets have CRC and checking is enabled</p>
STR_SEL_B	1:0	Reserved. Do not use (legacy). Use register 0x161 VIDEO_PIPE_SEL instead.	

[RX0 \(0x5051\)](#)

BIT	7	6	5	4	3	2	1	0
Field	RX_CRC_EN_B	–	–	–	–	–	STR_SEL_B[1:0]	
Reset	0b0	–	–	–	–	–	0b01	
Access Type	Write, Read	–	–	–	–	–	Write, Read	

BITFIELD	BITS	DESCRIPTION	DECODE
RX_CRC_EN_B	7	When set, indicates that packets received at this port have appended CRC and CRC checking should be performed at each packet.	0b0: No CRC on received packets 0b1: Received packets have CRC and checking is enabled
STR_SEL_B	1:0	Reserved. Do not use (legacy). Use register 0x161 VIDEO_PIPE_SEL instead.	

[RX0 \(0x5052\)](#)

BIT	7	6	5	4	3	2	1	0
Field	RX_CRC_EN_B	–	–	–	–	–	STR_SEL_B[1:0]	
Reset	0b0	–	–	–	–	–	0b10	
Access Type	Write, Read	–	–	–	–	–	Write, Read	

BITFIELD	BITS	DESCRIPTION	DECODE
RX_CRC_EN_B	7	When set, indicates that packets received at this port have appended CRC and CRC checking should be performed at each packet.	0b0: No CRC on received packets 0b1: Received packets have CRC and checking is enabled
STR_SEL_B	1:0	Reserved. Do not use (legacy). Use register 0x161 VIDEO_PIPE_SEL instead.	

[RX0 \(0x5053\)](#)

BIT	7	6	5	4	3	2	1	0
Field	RX_CRC_EN_B	–	–	–	–	–	STR_SEL_B[1:0]	
Reset	0b0	–	–	–	–	–	0b11	
Access Type	Write, Read	–	–	–	–	–	Write, Read	

BITFIELD	BITS	DESCRIPTION	DECODE
RX_CRC_EN_B	7	When set, indicates that packets received at this port have appended CRC and CRC checking should be performed at each packet.	0b0: No CRC on received packets 0b1: Received packets have CRC and checking is enabled
STR_SEL_B	1:0	Reserved. Do not use (legacy). Use register 0x161 VIDEO_PIPE_SEL instead.	

TR0 (0x5060)

BIT	7	6	5	4	3	2	1	0
Field	TX_CRC_EN_B	RX_CRC_EN_B	RSVD[1:0]		PRIO_VAL_B[1:0]		PRIO_CFG_B[1:0]	
Reset	0b1	0b1	0b11		0b00		0b00	
Access Type	Write, Read	Write, Read			Write, Read		Write, Read	

BITFIELD	BITS	DESCRIPTION	DECODE
TX_CRC_EN_B	7	When set, calculate and append CRC to each packet transmitted from this port.	0b0: Transmit CRC disabled 0b1: Transmit CRC enabled
RX_CRC_EN_B	6	When set, indicates that packets received at this port have appended CRC and CRC checking should be performed at each packet.	0b0: Receive CRC disabled 0b1: Receive CRC enabled
PRIO_VAL_B	3:2	Sets the priority for this channel's packet requests	0b00: Low priority 0b01: Normal priority 0b10: High priority 0b11: Urgent priority
PRIO_CFG_B	1:0	Adjust the priority used for this channel	0b00: Current channel priority is used 0b01: Increase current channel priority 0b10: Decrease current channel priority 0b11: Reset to channel PRIO_VAL[1:0] setting

TR1 (0x5061)

BIT	7	6	5	4	3	2	1	0
Field	BW_MULT_B[1:0]			BW_VAL_B[5:0]				
Reset	0b10			0b110000				
Access Type	Write, Read			Write, Read				

BITFIELD	BITS	DESCRIPTION	DECODE
BW_MULT_B	7:6	Channel bandwidth-allocation multiplication factor	0b00: Multiply BW_VAL by 1 0b01: Multiply BW_VAL by 4 0b10: Multiply BW_VAL by 16 0b11: Multiply BW_VAL by 16
BW_VAL_B	5:0	Channel bandwidth-allocation base. Used to calculate percentage of total link bandwidth used for this port. Fair bandwidth use ratio = $BW_VAL \times BW_MULT/10$ as a percentage of total link bandwidth.	0bXXXXXX: Channel base BW value

TR3 (0x5063)

BIT	7	6	5	4	3	2	1	0
Field	–	–	–	–	–	TX_SRC_ID_B[2:0]		
Reset	–	–	–	–	–	0b000		
Access Type	–	–	–	–	–	Write, Read		

BITFIELD	BITS	DESCRIPTION	DECODE
TX_SRC_ID_B	2:0	Source identifier used in packets transmitted from this channel. Default value is based on the device address set by the CFG0 pin.	0bXXX: Source ID for packets from this channel

TR4 (0x5064)

BIT	7	6	5	4	3	2	1	0
Field	RX_SRC_SEL_B[7:0]							
Reset	0xFF							
Access Type	Write, Read							

BITFIELD	BITS	DESCRIPTION	DECODE
RX_SRC_SEL_B	7:0	Receive packets from selected sources. Each bit indicates if packets with that source ID should be received or not. This is a one-hot encoding. For example, when SRC_SEL = 00001001, then packets with source ID equal to 0 and 3 are received.	0x00: No packets received 0x01: Packets from source ID 0 received 0x02: Packets from source ID 1 received 0x03: Packets from source ID 0 and 1 received 0x04: Packets from source ID 2 received 0xFF: Packets from all source IDs received

TR0 (0x5070, 0x5080, 0x5088)

BIT	7	6	5	4	3	2	1	0
Field	TX_CRC_EN_B	RX_CRC_EN_B	RSVD[1:0]		PRIO_VAL_B[1:0]		PRIO_CFG_B[1:0]	
Reset	0b1	0b1	0b11		0b00		0b00	
Access Type	Write, Read	Write, Read			Write, Read		Write, Read	

BITFIELD	BITS	DESCRIPTION	DECODE
TX_CRC_EN_B	7	When set, calculate and append CRC to each packet transmitted from this port.	0b0: Transmit CRC disabled 0b1: Transmit CRC enabled
RX_CRC_EN_B	6	When set, indicates that packets received at this port have appended CRC and CRC checking should be performed at each packet.	0b0: Receive CRC disabled 0b1: Receive CRC enabled
PRIO_VAL_B	3:2	Sets the priority for this channel's packet requests	0b00: Low priority 0b01: Normal priority 0b10: High priority 0b11: Urgent priority
PRIO_CFG_B	1:0	Adjust the priority used for this channel	0b00: Current channel priority is used 0b01: Increase current channel priority 0b10: Decrease current channel priority 0b11: Reset to channel PRIO_VAL[1:0] setting

[TR1 \(0x5071, 0x5081, 0x5089\)](#)

BIT	7	6	5	4	3	2	1	0
Field	BW_MULT_B[1:0]		BW_VAL_B[5:0]					
Reset	0b10		0b110000					
Access Type	Write, Read		Write, Read					
BITFIELD	BITS	DESCRIPTION			DECODE			
BW_MULT_B	7:6	Channel bandwidth-allocation multiplication factor			0b00: Multiply BW_VAL by 1 0b01: Multiply BW_VAL by 4 0b10: Multiply BW_VAL by 16 0b11: Multiply BW_VAL by 16			
BW_VAL_B	5:0	Channel bandwidth-allocation base. Used to calculate percentage of total link bandwidth used for this port. Fair bandwidth use ratio = BW_VAL x BW_MULT/10 as a percentage of total link bandwidth.			0bXXXXXX: Channel base BW value			

[TR3 \(0x5073, 0x5083, 0x508B\)](#)

BIT	7	6	5	4	3	2	1	0
Field	–	–	–	–	–	TX_SRC_ID_B[2:0]		
Reset	–	–	–	–	–	0b000		
Access Type	–	–	–	–	–	Write, Read		
BITFIELD	BITS	DESCRIPTION			DECODE			
TX_SRC_ID_B	2:0	Source identifier used in packets transmitted from this channel. Default value is based on the device address set by the CFG0 pin.			0bXXX: Source ID for packets from this channel			

[TR4 \(0x5074, 0x5084, 0x508C\)](#)

BIT	7	6	5	4	3	2	1	0
Field	RX_SRC_SEL_B[7:0]							
Reset	0xFF							
Access Type	Write, Read							
BITFIELD	BITS	DESCRIPTION			DECODE			
RX_SRC_SEL_B	7:0	Receive packets from selected sources. Each bit indicates if packets with that source ID should be received or not. This is a one-hot encoding. For example, when SRC_SEL = 00001001, then packets with source ID equal to 0 and 3 are received.			0x00: No packets received 0x01: Packets from source ID 0 received 0x02: Packets from source ID 1 received 0x03: Packets from source ID 0 and 1 received 0x04: Packets from source ID 2 received 0xFF: Packets from all source IDs received			

[ARQ0 \(0x5075, 0x5085, 0x508D\)](#)

BIT	7	6	5	4	3	2	1	0
Field	RSVD	RSVD	RSVD	RSVD	EN_B	DIS_DBL_A CK_RET_X_ B	–	–
Reset	0b1	0b0	0b0	0b1	0b1	0b0	–	–
Access Type					Write, Read	Write, Read	–	–

BITFIELD	BITS	DESCRIPTION	DECODE
EN_B	3	Enable ARQ	0b0: ARQ disabled 0b1: ARQ enabled
DIS_DBL_A CK_RET_X_B	2	Disable retransmission due to receiving same acknowledge twice	0b0: Enabled 0b1: Disabled

[ARQ1 \(0x5076, 0x5086, 0x508E\)](#)

BIT	7	6	5	4	3	2	1	0
Field	–	RSVD[2:0]			–	–	MAX_RT_E RR_OEN_B	RT_CNT_O EN_B
Reset	–	0b111			–	–	0b1	0b0
Access Type	–				–	–	Write, Read	Write, Read

BITFIELD	BITS	DESCRIPTION	DECODE
MAX_RT_ER R_OEN_B	1	Enable reporting of ARQ maximum retransmission limit errors (MAX_RT_ERR) for this channel at ERRB pin.	0b0: ARQ maximum retransmission limit errors reporting at ERRB pin disabled 0b1: ARQ maximum retransmission limit errors reporting at ERRB pin enabled
RT_CNT_OE N_B	0	Enable reporting of ARQ retransmission event for this channel at ERRB pin. When enabled, ERRB is asserted when RT_CNT of this channel is greater than 0.	0b0: ARQ retransmission count reporting at ERRB pin disabled 0b1: ARQ retransmission count reporting at ERRB pin enabled

[ARQ2 \(0x5077, 0x5087, 0x508F\)](#)

BIT	7	6	5	4	3	2	1	0
Field	MAX_RT_E RR_B	RT_CNT_B[6:0]						
Reset	0b0	0b0000000						
Access Type	Read Clears All	Read Clears All						

BITFIELD	BITS	DESCRIPTION	DECODE
MAX_RT_ER R_B	7	Reached maximum retransmission limit (MAX_RT) for one packet in this channel	0b0: Maximum retransmission limit not reached 0b1: Maximum retransmission limit reached
RT_CNT_B	6:0	Total retransmission count in this channel	0xXX: Count of retransmissions for this channel

TR0 (0x5078)

BIT	7	6	5	4	3	2	1	0
Field	TX_CRC_EN_B	RX_CRC_EN_B	RSVD[1:0]		PRIO_VAL_B[1:0]		PRIO_CFG_B[1:0]	
Reset	0b1	0b1	0b11		0b00		0b00	
Access Type	Write, Read	Write, Read			Write, Read		Write, Read	

BITFIELD	BITS	DESCRIPTION	DECODE
TX_CRC_EN_B	7	When set, calculate and append CRC to each packet transmitted from this port	0b0: Transmit CRC disabled 0b1: Transmit CRC enabled
RX_CRC_EN_B	6	When set, indicates that packets received at this port have appended CRC and CRC checking should be performed at each packet.	0b0: Receive CRC disabled 0b1: Receive CRC enabled
PRIO_VAL_B	3:2	Sets the priority for this channel's packet requests	0b00: Low priority 0b01: Normal priority 0b10: High priority 0b11: Urgent priority
PRIO_CFG_B	1:0	Adjust the priority used for this channel	0b00: Current channel priority is used 0b01: Increase current channel priority 0b10: Decrease current channel priority 0b11: Reset to channel PRIO_VAL[1:0] setting

TR1 (0x5079)

BIT	7	6	5	4	3	2	1	0
Field	BW_MULT_B[1:0]			BW_VAL_B[5:0]				
Reset	0b10			0b110000				
Access Type	Write, Read			Write, Read				

BITFIELD	BITS	DESCRIPTION	DECODE
BW_MULT_B	7:6	Channel bandwidth-allocation multiplication factor	0b00: Multiply BW_VAL by 1 0b01: Multiply BW_VAL by 4 0b10: Multiply BW_VAL by 16 0b11: Multiply BW_VAL by 16
BW_VAL_B	5:0	Channel bandwidth-allocation base. Used to calculate percentage of total link bandwidth used for this port. Fair bandwidth use ratio = $BW_VAL \times BW_MULT/10$ as a percentage of total link bandwidth.	0bXXXXXX: Channel base BW value

TR3 (0x507B)

BIT	7	6	5	4	3	2	1	0
Field	–	–	–	–	–	TX_SRC_ID_B[2:0]		
Reset	–	–	–	–	–	0b000		
Access Type	–	–	–	–	–	Write, Read		

BITFIELD	BITS	DESCRIPTION	DECODE
TX_SRC_ID_B	2:0	Source identifier used in packets transmitted from this channel. Default value is based on the device address set by the CFG0 pin.	0bXXX: Source ID for packets from this channel

TR4 (0x507C)

BIT	7	6	5	4	3	2	1	0
Field	RX_SRC_SEL_B[7:0]							
Reset	0xFF							
Access Type	Write, Read							

BITFIELD	BITS	DESCRIPTION	DECODE
RX_SRC_SEL_B	7:0	Receive packets from selected sources. Each bit indicates if packets with that source ID should be received or not. This is a one-hot encoding. For example, when SRC_SEL = 00001001, then packets with source ID equal to 0 and 3 are received.	0x00: No packets received 0x01: Packets from source ID 0 received 0x02: Packets from source ID 1 received 0x03: Packets from source ID 0 and 1 received 0x04: Packets from source ID 2 received 0xFF: Packets from all source IDs received

ARQ0 (0x507D)

BIT	7	6	5	4	3	2	1	0
Field	RSVD	RSVD	RSVD	RSVD	EN_B	DIS_DBL_A CK_RETX_B	–	–
Reset	0b1	0b0	0b0	0b1	0b1	0b0	–	–
Access Type					Write, Read	Write, Read	–	–

BITFIELD	BITS	DESCRIPTION	DECODE
EN_B	3	Enable ARQ	0b0: ARQ disabled 0b1: ARQ enabled
DIS_DBL_A CK_RETX_B	2	Disable retransmission due to receiving same acknowledge twice	0b0: Enabled 0b1: Disabled

ARQ1 (0x507E)

BIT	7	6	5	4	3	2	1	0
Field	–	RSVD[2:0]			–	–	MAX_RT_E RR_OEN_B	RT_CNT_O EN_B
Reset	–	0b111			–	–	0b1	0b0
Access Type	–				–	–	Write, Read	Write, Read

BITFIELD	BITS	DESCRIPTION	DECODE
MAX_RT_ERR_OEN_B	1	Enable reporting of ARQ maximum retransmission limit errors (MAX_RT_ERR) for this channel at ERRB pin.	0b0: ARQ maximum retransmit limit errors reporting at ERRB pin disabled 0b1: ARQ maximum retransmit limit errors reporting at ERRB pin enabled
RT_CNT_OEN_B	0	Enable reporting of ARQ retransmission event for this channel at ERRB pin. When enabled, ERRB is asserted when RT_CNT of this channel is greater than 0.	0b0: ARQ retransmission count reporting at ERRB pin disabled 0b1: ARQ retransmission count reporting at ERRB pin enabled

ARQ2 (0x507F)

BIT	7	6	5	4	3	2	1	0
Field	MAX_RT_ERR_B	RT_CNT_B[6:0]						
Reset	0b0	0b0000000						
Access Type	Read Clears All	Read Clears All						

BITFIELD	BITS	DESCRIPTION	DECODE
MAX_RT_ERR_B	7	Reached maximum retransmission limit (MAX_RT) for one packet in this channel	0b0: Maximum retransmission limit not reached 0b1: Maximum retransmission limit reached
RT_CNT_B	6:0	Total retransmission count in this channel	0xXX: Count of retransmissions for this channel

GPIO_A (0x52B0)

GPIO 0

BIT	7	6	5	4	3	2	1	0
Field	–	RSVD	TX_COMP_EN_B	–	–	GPIO_RX_EN_B	GPIO_TX_EN_B	–
Reset	–	0b0	0b0	–	–	0b0	0b1	–
Access Type	–		Write, Read	–	–	Write, Read	Write, Read	–

BITFIELD	BITS	DESCRIPTION	DECODE
TX_COMP_EN_B	5	Enables jitter minimization compensation	0b0: Jitter compensation disabled 0b1: Jitter compensation enabled
GPIO_RX_EN_B	2	GPIO out source control. Set to 1 to receive GPIO value from GMSL link. Set GPIO_OUT_DIS to 0 to output the received value on the local MFP.	0b0: This GPIO source disabled for GMSL2 reception 0b1: This GPIO source enabled for GMSL2 reception
GPIO_TX_EN_B	1	GPIO Tx source control. Set to 1 to transmit the local MFP input value across the GMSL link.	0b0: This GPIO source disabled for GMSL2 transmission 0b1: This GPIO source enabled for GMSL2 transmission

GPIO_B (0x52B1)

GPIO 0

BIT	7	6	5	4	3	2	1	0
Field	–	–	–	GPIO_TX_ID_B[4:0]				
Reset	–	–	–	0b00000				
Access Type	–	–	–	Write, Read				

BITFIELD	BITS	DESCRIPTION	DECODE
GPIO_TX_ID_B	4:0	GPIO ID for pin while transmitting	0bXXXXX: This GPIO transmit ID

GPIO_C (0x52B2)

GPIO 0

BIT	7	6	5	4	3	2	1	0
Field	–	GPIO_REC VED_B	–	GPIO_RX_ID_B[4:0]				
Reset	–	0b1	–	0b00000				
Access Type	–	Write, Read	–	Write, Read				

BITFIELD	BITS	DESCRIPTION	DECODE
GPIO_RECV ED_B	6	Received GPIO value from across the GMSL link	
GPIO_RX_ID_B	4:0	GPIO ID for pin while receiving	0bXXXXX: This GPIO receive ID

GPIO_A (0x52B3)

GPIO 1

BIT	7	6	5	4	3	2	1	0
Field	–	RSVD	TX_COMP_ EN_B	–	–	GPIO_RX_ EN_B	GPIO_TX_ EN_B	–
Reset	–	0b0	0b0	–	–	0b0	0b0	–
Access Type	–		Write, Read	–	–	Write, Read	Write, Read	–

BITFIELD	BITS	DESCRIPTION	DECODE
TX_COMP_ EN_B	5	Enables jitter minimization compensation	0b0: Jitter compensation disabled 0b1: Jitter compensation enabled
GPIO_RX_ EN_B	2	GPIO out source control. Set to 1 to receive GPIO value from GMSL link. Set GPIO_OUT_DIS to 0 to output the received value on the local MFP.	0b0: This GPIO source disabled for GMSL2 reception 0b1: This GPIO source enabled for GMSL2 reception
GPIO_TX_ EN_B	1	GPIO Tx source control. Set to 1 to transmit the local MFP input value across the GMSL link.	0b0: This GPIO source disabled for GMSL2 transmission 0b1: This GPIO source enabled for GMSL2 transmission

GPIO_B (0x52B4)

GPIO 1

BIT	7	6	5	4	3	2	1	0
Field	–	–	–	GPIO_TX_ID_B[4:0]				
Reset	–	–	–	0b00001				
Access Type	–	–	–	Write, Read				
BITFIELD	BITS	DESCRIPTION			DECODE			
GPIO_TX_ID_B	4:0	GPIO ID for pin while transmitting			0bXXXXX: This GPIO transmit ID			

GPIO_C (0x52B5)

GPIO 1

BIT	7	6	5	4	3	2	1	0
Field	–	RSVD	–	GPIO_RX_ID_B[4:0]				
Reset	–	0b1	–	0b00001				
Access Type	–		–	Write, Read				
BITFIELD	BITS	DESCRIPTION			DECODE			
GPIO_RX_ID_B	4:0	GPIO ID for pin while receiving			0bXXXXX: This GPIO receive ID			

GPIO_A (0x52B6)

GPIO 2

BIT	7	6	5	4	3	2	1	0
Field	–	RSVD	TX_COMP_EN_B	–	–	GPIO_RX_EN_B	GPIO_TX_EN_B	–
Reset	–	0b0	0b0	–	–	0b0	0b0	–
Access Type	–		Write, Read	–	–	Write, Read	Write, Read	–
BITFIELD	BITS	DESCRIPTION			DECODE			
TX_COMP_EN_B	5	Enables jitter minimization compensation			0b0: Jitter compensation disabled 0b1: Jitter compensation enabled			
GPIO_RX_EN_B	2	GPIO out source control. Set to 1 to receive GPIO value from GMSL link. Set GPIO_OUT_DIS to 0 to output the received value on the local MFP.			0b0: This GPIO source disabled for GMSL2 reception 0b1: This GPIO source enabled for GMSL2 reception			
GPIO_TX_EN_B	1	GPIO Tx source control. Set to 1 to transmit the local MFP input value across the GMSL link.			0b0: This GPIO source disabled for GMSL2 transmission 0b1: This GPIO source enabled for GMSL2 transmission			

GPIO_B (0x52B7)

GPIO 2

BIT	7	6	5	4	3	2	1	0
Field	–	–	–	GPIO_TX_ID_B[4:0]				
Reset	–	–	–	0b00010				
Access Type	–	–	–	Write, Read				
BITFIELD	BITS	DESCRIPTION			DECODE			
GPIO_TX_ID_B	4:0	GPIO ID for pin while transmitting			0bXXXXX: This GPIO transmit ID			

GPIO_C (0x52B8)

GPIO 2

BIT	7	6	5	4	3	2	1	0
Field	–	RSVD	–	GPIO_RX_ID_B[4:0]				
Reset	–	0b1	–	0b00010				
Access Type	–		–	Write, Read				
BITFIELD	BITS	DESCRIPTION			DECODE			
GPIO_RX_ID_B	4:0	GPIO ID for pin while receiving			0bXXXXX: This GPIO receive ID			

GPIO_A (0x52B9)

GPIO 3

BIT	7	6	5	4	3	2	1	0
Field	–	RSVD	TX_COMP_EN_B	–	–	GPIO_RX_EN_B	GPIO_TX_EN_B	–
Reset	–	0b0	0b0	–	–	0b0	0b0	–
Access Type	–		Write, Read	–	–	Write, Read	Write, Read	–
BITFIELD	BITS	DESCRIPTION			DECODE			
TX_COMP_EN_B	5	Enables jitter minimization compensation			0b0: Jitter compensation disabled 0b1: Jitter compensation enabled			
GPIO_RX_EN_B	2	GPIO out source control. Set to 1 to receive GPIO value from GMSL link. Set GPIO_OUT_DIS to 0 to output the received value on the local MFP.			0b0: This GPIO source disabled for GMSL2 reception 0b1: This GPIO source enabled for GMSL2 reception			
GPIO_TX_EN_B	1	GPIO Tx source control. Set to 1 to transmit the local MFP input value across the GMSL link.			0b0: This GPIO source disabled for GMSL2 transmission 0b1: This GPIO source enabled for GMSL2 transmission			

GPIO_B (0x52BA)

GPIO 3

BIT	7	6	5	4	3	2	1	0
Field	–	–	–	GPIO_TX_ID_B[4:0]				
Reset	–	–	–	0b00011				
Access Type	–	–	–	Write, Read				

BITFIELD	BITS	DESCRIPTION	DECODE
GPIO_TX_ID_B	4:0	GPIO ID for pin while transmitting	0bXXXXX: This GPIO transmit ID

GPIO_C (0x52BB)

GPIO 3

BIT	7	6	5	4	3	2	1	0
Field	–	RSVD	–	GPIO_RX_ID_B[4:0]				
Reset	–	0b1	–	0b00011				
Access Type	–		–	Write, Read				

BITFIELD	BITS	DESCRIPTION	DECODE
GPIO_RX_ID_B	4:0	GPIO ID for pin while receiving	0bXXXXX: This GPIO receive ID

GPIO_A (0x52BC)

GPIO 4

BIT	7	6	5	4	3	2	1	0
Field	–	RSVD	TX_COMP_EN_B	–	–	GPIO_RX_EN_B	GPIO_TX_EN_B	–
Reset	–	0b0	0b0	–	–	0b0	0b0	–
Access Type	–		Write, Read	–	–	Write, Read	Write, Read	–

BITFIELD	BITS	DESCRIPTION	DECODE
TX_COMP_EN_B	5	Enables jitter minimization compensation	0b0: Jitter compensation disabled 0b1: Jitter compensation enabled
GPIO_RX_EN_B	2	GPIO out source control. Set to 1 to receive GPIO value from GMSL link. Set GPIO_OUT_DIS to 0 to output the received value on the local MFP.	0b0: This GPIO source disabled for GMSL2 reception 0b1: This GPIO source enabled for GMSL2 reception
GPIO_TX_EN_B	1	GPIO Tx source control. Set to 1 to transmit the local MFP input value across the GMSL link.	0b0: This GPIO source disabled for GMSL2 transmission 0b1: This GPIO source enabled for GMSL2 transmission

GPIO_B (0x52BD)

GPIO 4

BIT	7	6	5	4	3	2	1	0
Field	–	–	–	GPIO_TX_ID_B[4:0]				
Reset	–	–	–	0b00100				
Access Type	–	–	–	Write, Read				

BITFIELD	BITS	DESCRIPTION	DECODE
GPIO_TX_ID_B	4:0	GPIO ID for pin while transmitting	0bXXXXX: This GPIO transmit ID

GPIO_C (0x52BE)

GPIO 4

BIT	7	6	5	4	3	2	1	0
Field	–	RSVD	–	GPIO_RX_ID_B[4:0]				
Reset	–	0b1	–	0b00100				
Access Type	–		–	Write, Read				

BITFIELD	BITS	DESCRIPTION	DECODE
GPIO_RX_ID_B	4:0	GPIO ID for pin while receiving	0bXXXXX: This GPIO receive ID

GPIO_A (0x52BF)

GPIO 5

BIT	7	6	5	4	3	2	1	0
Field	–	RSVD	TX_COMP_EN_B	–	–	GPIO_RX_EN_B	GPIO_TX_EN_B	–
Reset	–	0b0	0b0	–	–	0b0	0b0	–
Access Type	–		Write, Read	–	–	Write, Read	Write, Read	–

BITFIELD	BITS	DESCRIPTION	DECODE
TX_COMP_EN_B	5	Enables jitter minimization compensation	0b0: Jitter compensation disabled 0b1: Jitter compensation enabled
GPIO_RX_EN_B	2	GPIO out source control. Set to 1 to receive GPIO value from GMSL link. Set GPIO_OUT_DIS to 0 to output the received value on the local MFP.	0b0: This GPIO source disabled for GMSL2 reception 0b1: This GPIO source enabled for GMSL2 reception
GPIO_TX_EN_B	1	GPIO Tx source control. Set to 1 to transmit the local MFP input value across the GMSL link.	0b0: This GPIO source disabled for GMSL2 transmission 0b1: This GPIO source enabled for GMSL2 transmission

GPIO_B (0x52C0)

GPIO 5

BIT	7	6	5	4	3	2	1	0
Field	–	–	–	GPIO_TX_ID_B[4:0]				
Reset	–	–	–	0b00101				
Access Type	–	–	–	Write, Read				

BITFIELD	BITS	DESCRIPTION	DECODE
GPIO_TX_ID_B	4:0	GPIO ID for pin while transmitting	0bXXXXX: This GPIO transmit ID

GPIO_C (0x52C1)

GPIO 5

BIT	7	6	5	4	3	2	1	0
Field	–	RSVD	–	GPIO_RX_ID_B[4:0]				
Reset	–	0b1	–	0b00101				
Access Type	–		–	Write, Read				

BITFIELD	BITS	DESCRIPTION	DECODE
GPIO_RX_ID_B	4:0	GPIO ID for pin while receiving	0bXXXXX: This GPIO receive ID

GPIO_A (0x52C2)

GPIO 6

BIT	7	6	5	4	3	2	1	0
Field	–	RSVD	TX_COMP_EN_B	–	–	GPIO_RX_EN_B	GPIO_TX_EN_B	–
Reset	–	0b0	0b0	–	–	0b0	0b1	–
Access Type	–		Write, Read	–	–	Write, Read	Write, Read	–

BITFIELD	BITS	DESCRIPTION	DECODE
TX_COMP_EN_B	5	Enables jitter minimization compensation	0b0: Jitter compensation disabled 0b1: Jitter compensation enabled
GPIO_RX_EN_B	2	GPIO out source control. Set to 1 to receive GPIO value from GMSL link. Set GPIO_OUT_DIS to 0 to output the received value on the local MFP.	0b0: This GPIO source disabled for GMSL2 reception 0b1: This GPIO source enabled for GMSL2 reception
GPIO_TX_EN_B	1	GPIO Tx source control. Set to 1 to transmit the local MFP input value across the GMSL link.	0b0: This GPIO source disabled for GMSL2 transmission 0b1: This GPIO source enabled for GMSL2 transmission

GPIO_B (0x52C3)

GPIO 6

BIT	7	6	5	4	3	2	1	0
Field	–	–	–	GPIO_TX_ID_B[4:0]				
Reset	–	–	–	0b00110				
Access Type	–	–	–	Write, Read				

BITFIELD	BITS	DESCRIPTION	DECODE
GPIO_TX_ID_B	4:0	GPIO ID for pin while transmitting	0bXXXXX: This GPIO transmit ID

GPIO_C (0x52C4)

GPIO 6

BIT	7	6	5	4	3	2	1	0
Field	–	RSVD	–	GPIO_RX_ID_B[4:0]				
Reset	–	0b1	–	0b00110				
Access Type	–		–	Write, Read				

BITFIELD	BITS	DESCRIPTION	DECODE
GPIO_RX_ID_B	4:0	GPIO ID for pin while receiving	0bXXXXX: This GPIO receive ID

GPIO_A (0x52C5)

GPIO 7

BIT	7	6	5	4	3	2	1	0
Field	–	RSVD	TX_COMP_EN_B	–	–	GPIO_RX_EN_B	GPIO_TX_EN_B	–
Reset	–	0b0	0b0	–	–	0b0	0b0	–
Access Type	–		Write, Read	–	–	Write, Read	Write, Read	–

BITFIELD	BITS	DESCRIPTION	DECODE
TX_COMP_EN_B	5	Enables jitter minimization compensation	0b0: Jitter compensation disabled 0b1: Jitter compensation enabled
GPIO_RX_EN_B	2	GPIO out source control. Set to 1 to receive GPIO value from GMSL link. Set GPIO_OUT_DIS to 0 to output the received value on the local MFP.	0b0: This GPIO source disabled for GMSL2 reception 0b1: This GPIO source enabled for GMSL2 reception
GPIO_TX_EN_B	1	GPIO Tx source control. Set to 1 to transmit the local MFP input value across the GMSL link.	0b0: This GPIO source disabled for GMSL2 transmission 0b1: This GPIO source enabled for GMSL2 transmission

GPIO_B (0x52C6)

GPIO 7

BIT	7	6	5	4	3	2	1	0
Field	–	–	–	GPIO_TX_ID_B[4:0]				
Reset	–	–	–	0b00111				
Access Type	–	–	–	Write, Read				
BITFIELD	BITS	DESCRIPTION			DECODE			
GPIO_TX_ID_B	4:0	GPIO ID for pin while transmitting			0bXXXXX: This GPIO transmit ID			

GPIO_C (0x52C7)

GPIO 7

BIT	7	6	5	4	3	2	1	0
Field	–	RSVD	–	GPIO_RX_ID_B[4:0]				
Reset	–	0b1	–	0b00111				
Access Type	–		–	Write, Read				
BITFIELD	BITS	DESCRIPTION			DECODE			
GPIO_RX_ID_B	4:0	GPIO ID for pin while receiving			0bXXXXX: This GPIO receive ID			

GPIO_A (0x52C8)

GPIO 8

BIT	7	6	5	4	3	2	1	0
Field	–	RSVD	TX_COMP_EN_B	–	–	GPIO_RX_EN_B	GPIO_TX_EN_B	–
Reset	–	0b0	0b0	–	–	0b0	0b0	–
Access Type	–		Write, Read	–	–	Write, Read	Write, Read	–
BITFIELD	BITS	DESCRIPTION			DECODE			
TX_COMP_EN_B	5	Enables jitter minimization compensation			0b0: Jitter compensation disabled 0b1: Jitter compensation enabled			
GPIO_RX_EN_B	2	GPIO out source control. Set to 1 to receive GPIO value from GMSL link. Set GPIO_OUT_DIS to 0 to output the received value on the local MFP.			0b0: This GPIO source disabled for GMSL2 reception 0b1: This GPIO source enabled for GMSL2 reception			
GPIO_TX_EN_B	1	GPIO Tx source control. Set to 1 to transmit the local MFP input value across the GMSL link.			0b0: This GPIO source disabled for GMSL2 transmission 0b1: This GPIO source enabled for GMSL2 transmission			

GPIO_B (0x52C9)

GPIO 8

BIT	7	6	5	4	3	2	1	0
Field	–	–	–	GPIO_TX_ID_B[4:0]				
Reset	–	–	–	0b01000				
Access Type	–	–	–	Write, Read				
BITFIELD	BITS	DESCRIPTION			DECODE			
GPIO_TX_ID_B	4:0	GPIO ID for pin while transmitting			0bXXXXX: This GPIO transmit ID			

GPIO_C (0x52CA)

GPIO 8

BIT	7	6	5	4	3	2	1	0
Field	–	RSVD	–	GPIO_RX_ID_B[4:0]				
Reset	–	0b1	–	0b01000				
Access Type	–		–	Write, Read				
BITFIELD	BITS	DESCRIPTION			DECODE			
GPIO_RX_ID_B	4:0	GPIO ID for pin while receiving			0bXXXXX: This GPIO receive ID			

GPIO_A (0x52CB)

GPIO 9

BIT	7	6	5	4	3	2	1	0
Field	–	RSVD	TX_COMP_EN_B	–	–	GPIO_RX_EN_B	GPIO_TX_EN_B	–
Reset	–	0b0	0b0	–	–	0b0	0b0	–
Access Type	–		Write, Read	–	–	Write, Read	Write, Read	–
BITFIELD	BITS	DESCRIPTION			DECODE			
TX_COMP_EN_B	5	Enables jitter minimization compensation			0b0: Jitter compensation disabled 0b1: Jitter compensation enabled			
GPIO_RX_EN_B	2	GPIO out source control. Set to 1 to receive GPIO value from GMSL link. Set GPIO_OUT_DIS to 0 to output the received value on the local MFP.			0b0: This GPIO source disabled for GMSL2 reception 0b1: This GPIO source enabled for GMSL2 reception			
GPIO_TX_EN_B	1	GPIO Tx source control. Set to 1 to transmit the local MFP input value across the GMSL link.			0b0: This GPIO source disabled for GMSL2 transmission 0b1: This GPIO source enabled for GMSL2 transmission			

GPIO_B (0x52CC)

GPIO 9

BIT	7	6	5	4	3	2	1	0
Field	–	–	–	GPIO_TX_ID_B[4:0]				
Reset	–	–	–	0b01001				
Access Type	–	–	–	Write, Read				

BITFIELD	BITS	DESCRIPTION	DECODE
GPIO_TX_ID_B	4:0	GPIO ID for pin while transmitting	0bXXXXX: This GPIO transmit ID

GPIO_C (0x52CD)

GPIO 9

BIT	7	6	5	4	3	2	1	0
Field	–	RSVD	–	GPIO_RX_ID_B[4:0]				
Reset	–	0b1	–	0b01001				
Access Type	–		–	Write, Read				

BITFIELD	BITS	DESCRIPTION	DECODE
GPIO_RX_ID_B	4:0	GPIO ID for pin while receiving	0bXXXXX: This GPIO receive ID

GPIO_A (0x52CE)

GPIO 10

BIT	7	6	5	4	3	2	1	0
Field	–	RSVD	TX_COMP_EN_B	–	–	GPIO_RX_EN_B	GPIO_TX_EN_B	–
Reset	–	0b0	0b0	–	–	0b0	0b0	–
Access Type	–		Write, Read	–	–	Write, Read	Write, Read	–

BITFIELD	BITS	DESCRIPTION	DECODE
TX_COMP_EN_B	5	Enables jitter minimization compensation	0b0: Jitter compensation disabled 0b1: Jitter compensation enabled
GPIO_RX_EN_B	2	GPIO out source control. Set to 1 to receive GPIO value from GMSL link. Set GPIO_OUT_DIS to 0 to output the received value on the local MFP.	0b0: This GPIO source disabled for GMSL2 reception 0b1: This GPIO source enabled for GMSL2 reception
GPIO_TX_EN_B	1	GPIO Tx source control. Set to 1 to transmit the local MFP input value across the GMSL link.	0b0: This GPIO source disabled for GMSL2 transmission 0b1: This GPIO source enabled for GMSL2 transmission

GPIO_B (0x52CF)

GPIO 10

BIT	7	6	5	4	3	2	1	0
Field	–	–	–	GPIO_TX_ID_B[4:0]				
Reset	–	–	–	0b01010				
Access Type	–	–	–	Write, Read				
BITFIELD	BITS	DESCRIPTION			DECODE			
GPIO_TX_ID_B	4:0	GPIO ID for pin while transmitting			0bXXXXX: This GPIO transmit ID			

GPIO_C (0x52D0)

GPIO 10

BIT	7	6	5	4	3	2	1	0
Field	–	RSVD	–	GPIO_RX_ID_B[4:0]				
Reset	–	0b1	–	0b01010				
Access Type	–		–	Write, Read				
BITFIELD	BITS	DESCRIPTION			DECODE			
GPIO_RX_ID_B	4:0	GPIO ID for pin while receiving			0bXXXXX: This GPIO receive ID			

GPIO_A (0x52D1)

GPIO 11

BIT	7	6	5	4	3	2	1	0
Field	–	RSVD	TX_COMP_EN_B	–	–	GPIO_RX_EN_B	GPIO_TX_EN_B	–
Reset	–	0b0	0b0	–	–	0b0	0b0	–
Access Type	–		Write, Read	–	–	Write, Read	Write, Read	–
BITFIELD	BITS	DESCRIPTION			DECODE			
TX_COMP_EN_B	5	Enables jitter minimization compensation			0b0: Jitter compensation disabled 0b1: Jitter compensation enabled			
GPIO_RX_EN_B	2	GPIO out source control. Set to 1 to receive GPIO value from GMSL link. Set GPIO_OUT_DIS to 0 to output the received value on the local MFP.			0b0: This GPIO source disabled for GMSL2 reception 0b1: This GPIO source enabled for GMSL2 reception			
GPIO_TX_EN_B	1	GPIO Tx source control. Set to 1 to transmit the local MFP input value across the GMSL link.			0b0: This GPIO source disabled for GMSL2 transmission 0b1: This GPIO source enabled for GMSL2 transmission			

GPIO_B (0x52D2)

GPIO 11

BIT	7	6	5	4	3	2	1	0
Field	–	–	–	GPIO_TX_ID_B[4:0]				
Reset	–	–	–	0b01011				
Access Type	–	–	–	Write, Read				

BITFIELD	BITS	DESCRIPTION	DECODE
GPIO_TX_ID_B	4:0	GPIO ID for pin while transmitting	0bXXXXX: This GPIO transmit ID

GPIO_C (0x52D3)

GPIO 11

BIT	7	6	5	4	3	2	1	0
Field	–	RSVD	–	GPIO_RX_ID_B[4:0]				
Reset	–	0b1	–	0b01011				
Access Type	–		–	Write, Read				

BITFIELD	BITS	DESCRIPTION	DECODE
GPIO_RX_ID_B	4:0	GPIO ID for pin while receiving	0bXXXXX: This GPIO receive ID

GPIO_A (0x52D4)

GPIO 12

BIT	7	6	5	4	3	2	1	0
Field	–	RSVD	TX_COMP_EN_B	–	–	GPIO_RX_EN_B	GPIO_TX_EN_B	–
Reset	–	0b0	0b0	–	–	0b0	0b0	–
Access Type	–		Write, Read	–	–	Write, Read	Write, Read	–

BITFIELD	BITS	DESCRIPTION	DECODE
TX_COMP_EN_B	5	Enables jitter minimization compensation	0b0: Jitter compensation disabled 0b1: Jitter compensation enabled
GPIO_RX_EN_B	2	GPIO out source control. Set to 1 to receive GPIO value from GMSL link. Set GPIO_OUT_DIS to 0 to output the received value on the local MFP.	0b0: This GPIO source disabled for GMSL2 reception 0b1: This GPIO source enabled for GMSL2 reception
GPIO_TX_EN_B	1	GPIO Tx source control. Set to 1 to transmit the local MFP input value across the GMSL link.	0b0: This GPIO source disabled for GMSL2 transmission 0b1: This GPIO source enabled for GMSL2 transmission

GPIO_B (0x52D5)

GPIO 12

BIT	7	6	5	4	3	2	1	0
Field	–	–	–	GPIO_TX_ID_B[4:0]				
Reset	–	–	–	0b01100				
Access Type	–	–	–	Write, Read				

BITFIELD	BITS	DESCRIPTION	DECODE
GPIO_TX_ID_B	4:0	GPIO ID for pin while transmitting	0bXXXXX: This GPIO transmit ID

GPIO_C (0x52D6)

GPIO 12

BIT	7	6	5	4	3	2	1	0
Field	–	RSVD	–	GPIO_RX_ID_B[4:0]				
Reset	–	0b1	–	0b01100				
Access Type	–		–	Write, Read				

BITFIELD	BITS	DESCRIPTION	DECODE
GPIO_RX_ID_B	4:0	GPIO ID for pin while receiving	0bXXXXX: This GPIO receive ID

Revision History

REVISION NUMBER	REVISION DATE	DESCRIPTION	PAGES CHANGED
0	10/20	Initial release	—

REVISION NUMBER	REVISION DATE	DESCRIPTION	PAGES CHANGED
1	3/22	<p>Data sheet updates Changed wording, fixed typos rearranged figures, note references, and sections for improved accuracy, clarity and logical grouping.</p> <p>Added Simplified Application Circuit.</p> <p>In Absolute Maximum Ratings table, updated CAP_VDD value from "-0.3V to 1.1V" to "-0.3V to 1.2V".</p> <p>Electrical Characteristics table</p> <ul style="list-style-type: none"> Corrected Unit value for PWDNB Hold Time from μs to ms. Updated Note1 from "...+25°C and T_A = +105°C." to "...105°C unless otherwise noted." and added "Max supply currents are specified for T_J=105°C." <p>Typical Operating Characteristics</p> <ul style="list-style-type: none"> Changed conditions from "V_{TERM} = 1.2V, V_{DD18} = 1.8V, V_{DDIO} = 1.8V, V_{DD} = 1.0V, T_A = +25°C unless otherwise noted. 3Gbps forward rate, 187.5Mbps reverse rate, PRBS24 data, 600Mbps per lane. Single GMSL2 PHY configuration: SIOA or SIOB GMSL2 input enabled, data output on 4-lane Port A or Port B. Dual GMSL2 PHY configuration: SIOA data output on 4-lane Port A, SIOB data output on 4-lane Port B.)" to "(V_{TERM} = 1.2V, V_{DD18} = 1.8V, V_{DDIO} = 1.8V, V_{DD} = 1.0V, T_A = +25°C unless otherwise noted. PRBS24 data, 1300Mbps per CSI-2 lane. Single GMSL2 Phy configuration: SIOA or SIOB GMSL2 input enabled, data output on 2-lane Port A or Port B. Dual GMSL2 PHY configuration: SIOA data output on 2-lane CSI-2 Port A, SIOB data output on 2-lane CSI-2 Port B.)" Added TOC13 V_{DDIO} CURRENT vs GPIO TOGGLE RATE characteristic. <p>Pin Descriptions: Improved Functions column to include more details for better definitions.</p> <p>Added Configuration Pin Connections figure.</p> <p>External Components Components Requirements table:</p> <ul style="list-style-type: none"> Specified Line Fault Series Resistor rows for STP and Coax modes including R_{EXT1} and R_{EXT2} conditions. Added values for Decoupling capacitors: V_{DDIO} Decoupling Capacitor, V_{DD18} Decoupling Capacitors, V_{TERM} Decoupling Capacitor, V_{DD} Decoupling Capacitor, and CAP_VDD Decoupling Capacitor. Added note that values showing are for recommendations only for power supply decoupling capacitors. <p>Detailed Description:</p> <ul style="list-style-type: none"> Added new sections: Additional Documentation, Vertical and Data Enable or Data Valid Sync Outputs, Video-Timing Generator, RGB888 Video-Pattern Generator, Link PRBS, Minimum Blanking, MIPI End-to-End Packet Spacing, and MFP Pin Equivalent Circuits. Added figures Video Frame Format for Bandwidth Calculation, Video Timing, End-to-End Packet Spacing, Standard High-Speed GPIO, and Standard I²C GPIO. Added Video Pattern Generator Pixel Clock Selection Table (RGB888 Video-Pattern Generator section) Updated GMSL2 Lock Time and I²C Timing Parameters figures. In table Forward- and Reverse-Link Bandwidth Utilization, updated Video (Forward Path Only) row to include Maximum bandwidth, Pixel mode, Double pixel mode, Tunneling mode and Maximum PCLK link rates for 3Gbps and 	—

REVISION NUMBER	REVISION DATE	DESCRIPTION	PAGES CHANGED
		<p>6Gbps.</p> <ul style="list-style-type: none"> Corrected sentence in Link Lock section: was "...serializer, reverse channel in the deserializer) to "...deserializer, reverse channel in the serializer)". <p>Applications Information: Added new sections: Software Programming Mode, Programming Notes, Main I²C/UART Tunnel, and Conventional I²C/UART Control-Channel Programming.</p> <p>Added Typical Application Circuit drawing.</p> <p>Register Map Updates Added sleep retention note and asterisk to applicable registers. Added missing decodes and also refined decodes and descriptions for clarity.</p> <p>Updated Decodes in ERR_RX_ID, PATGEN_CLK_SRC, OUT_TYPE, phy0_csi_tx_dpll_predef_freq, phy1_csi_tx_dpll_predef_freq, phy2_csi_tx_dpll_predef_freq, phy3_csi_tx_dpll_predef_freq, RST_MIPITX_LOC, DESKEW_INT, DESKEW_PER, MSGCNTR_ERR_THR, CRC_ERR_THR, VDD18_OV_FLAG, and VDD_OV_FLAG.</p> <p>Registers</p> <ul style="list-style-type: none"> Unhid registers IO_CHK0, CMU, BACKTOP4 - BACKTOP7, RLMS47, RLMSA8, RLMSA9, DPLL CSI1, DPLL CSI2, DPLL CSI3, DPLL CSI4, RLMS8C, and RLMSA95. Hid registers MIPI_PRBS_0 - MIPI_PRBS_5, MIPI_TX5 - MIPI_TX9, MIPI_TX49, RLMS2, RLMSB, RLMS1F, RLMS3E, RLMS3F, RLMS76, RLMS88, RLMS95, RLMSA6, RLMSD4, RLMSE1, and MEAS_DURATION_0 - MEAS_DURATION_3. <p>Bitfields</p> <ul style="list-style-type: none"> Unhid bitfields PORZ_STATUS, REG_MNL, RX_FEC_ACTIVE, I2C_TIMED_OUT_2, I2C_TIMED_OUT_1, force_csi_out_en, phy_1x4b_22, phy_1x4a_22, phy_2x4, and phy_4x2. Hid bitfields DIS_REM_CC_1_B, DIS_REM_CC_1, DIS_REM_CC_2, DIS_REM_CC_2_B, OVERTEMP, VDD_OV_LIVE, PHY_INT_OEN_B, PHY_INT_OEN_A, MEM_INT_ERR_OEN, PHY_INT_B, PHY_INT_A, MEM_INT_ERR_FLAG, PORZ_INT_OEN, PORZ_INT_FLAG, TIMEOUT, ARB_TO_LEN, ARQ_AUTO_CFG, ACK_CNT, WM_YUV_IN, WM_COLORADJ, ALT_CROSSBAR, BACKTOP_MEM_CRC_ERR, force_clk3_en, force_clk0_en, VTERM_OV_LIVE, VREG_OV_LIVE, VDD18_OV_LIVE, RxErrShft, AGCacqDly, dfe_2x_fb, VgaGBPCtrl, BSTInitOv, CRULpCtrlSREn, CRUSSCMode, Callnv_cdr_fphen, TrackRate4RepCal, Rxhpf_cnt_amp, Rxhpf_cnt, PHYC_TO_MULT, PHYC_RX_DLY, PHYC_HSK_TIME, MAN_CALIB, MAN_TX_EN, MAN_RX_EN, ErrChPhSecTAFR3G, ErrChPhPriTAFR3G, LIMIT_REG_RANGE, and TEST_POST. 	
2	11/23	<p>Global:</p> <ul style="list-style-type: none"> Master/Slave updated to Main/Subordinate Main I2C updated to Primary I2C <p>Detailed Description</p> <ul style="list-style-type: none"> LOCK time typical updated Removed rise time symbol TRLP Updated GMSL2 Lock Time section and figure. Updated tWAKEUP typical time and max time which includes BIST. Tunneling and Pixel Modes section updated, tunneling mode figure updated ESD protection table moved to a separate section <p>Register Table:</p> <ul style="list-style-type: none"> Global updates to descriptions and decodes for clarity and understanding. Unhid registers PORT_TUN_ONLY, CSI2_TX_GAP, RLMSB, RLMS1F, RLMS3E, RLMS3F, RLMS45, RLMS49, REGCRC8-to-REGCRC23 	

MIPI NOTICE OF DISCLAIMER

The MIPI copyright material contained herein is not a license, either expressly or impliedly, to any IPR owned or controlled by any of the authors or developers of this material or MIPI®. The material contained herein is provided on an "AS IS" basis and to the maximum extent permitted by applicable law, this material is provided AS IS AND WITH ALL FAULTS, and the authors and developers of this material and MIPI hereby disclaim all other warranties and conditions, either express, implied or statutory, including, but not limited to, any (if any) implied warranties, duties or conditions of merchantability, of fitness for a particular purpose, of accuracy or completeness of responses, of results, of workmanlike effort, of lack of viruses, and of lack of negligence.

All MIPI materials contained herein are protected by copyright laws, and may not be reproduced, republished, distributed, transmitted, displayed, broadcast or otherwise exploited in any manner without the express prior written permission of MIPI Alliance. MIPI, MIPI Alliance and the dotted rainbow arch and all related trademarks, tradenames, and other intellectual property are the exclusive property of MIPI Alliance and cannot be used without its express prior written permission.

ALSO, THERE IS NO WARRANTY OF CONDITION OF TITLE, QUIET ENJOYMENT, QUIET POSSESSION, CORRESPONDENCE TO DESCRIPTION OR NON-INFRINGEMENT WITH REGARD TO THIS MATERIAL OR THE CONTENTS OF THIS DOCUMENT. IN NO EVENT WILL ANY AUTHOR OR DEVELOPER OF THIS MATERIAL OR THE CONTENTS OF THIS DOCUMENT OR MIPI BE LIABLE TO ANY OTHER PARTY FOR THE COST OF PROCURING SUBSTITUTE GOODS OR SERVICES, LOST PROFITS, LOSS OF USE, LOSS OF DATA, OR ANY INCIDENTAL, CONSEQUENTIAL, DIRECT, INDIRECT, OR SPECIAL DAMAGES WHETHER UNDER CONTRACT, TORT, WARRANTY, OR OTHERWISE, ARISING IN ANY WAY OUT OF THIS OR ANY OTHER AGREEMENT, SPECIFICATION OR DOCUMENT RELATING TO THIS MATERIAL, WHETHER OR NOT SUCH PARTY HAD ADVANCE NOTICE OF THE POSSIBILITY OF SUCH DAMAGES.

Without limiting the generality of this Disclaimer stated above, the user of the contents of this Document is further notified that MIPI: (a) does not evaluate, test or verify the accuracy, soundness or credibility of the contents of this Document; (b) does not monitor or enforce compliance with the contents of this Document; and (c) does not certify, test, or in any manner investigate products or services or any claims of compliance with the contents of this Document. The use or implementation of the contents of this Document may involve or require the use of intellectual property rights ("IPR") including (but not limited to) patents, patent applications, or copyrights owned by one or more parties, whether or not Members of MIPI. MIPI does not make any search or investigation for IPR, nor does MIPI require or request the disclosure of any IPR or claims of IPR as respects the contents of this Document or otherwise. Questions pertaining to this document, or the terms or conditions of its provision, should be addressed to: MIPI Alliance, Inc. c/o IEEE-ISTO 445 Hoes Lane Piscataway, NJ 08854 Attn: Board Secretary